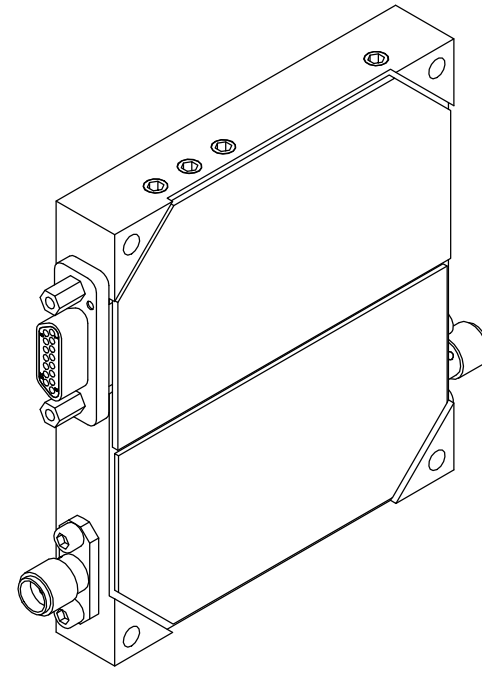


THIS DOCUMENT CONTAINS INFORMATION PROPRIETARY TO DELTA MICROWAVE. ANY REPRODUCTION OF THIS DOCUMENT WITHOUT WRITTEN PERMISSION IS EXPRESSLY PROHIBITED

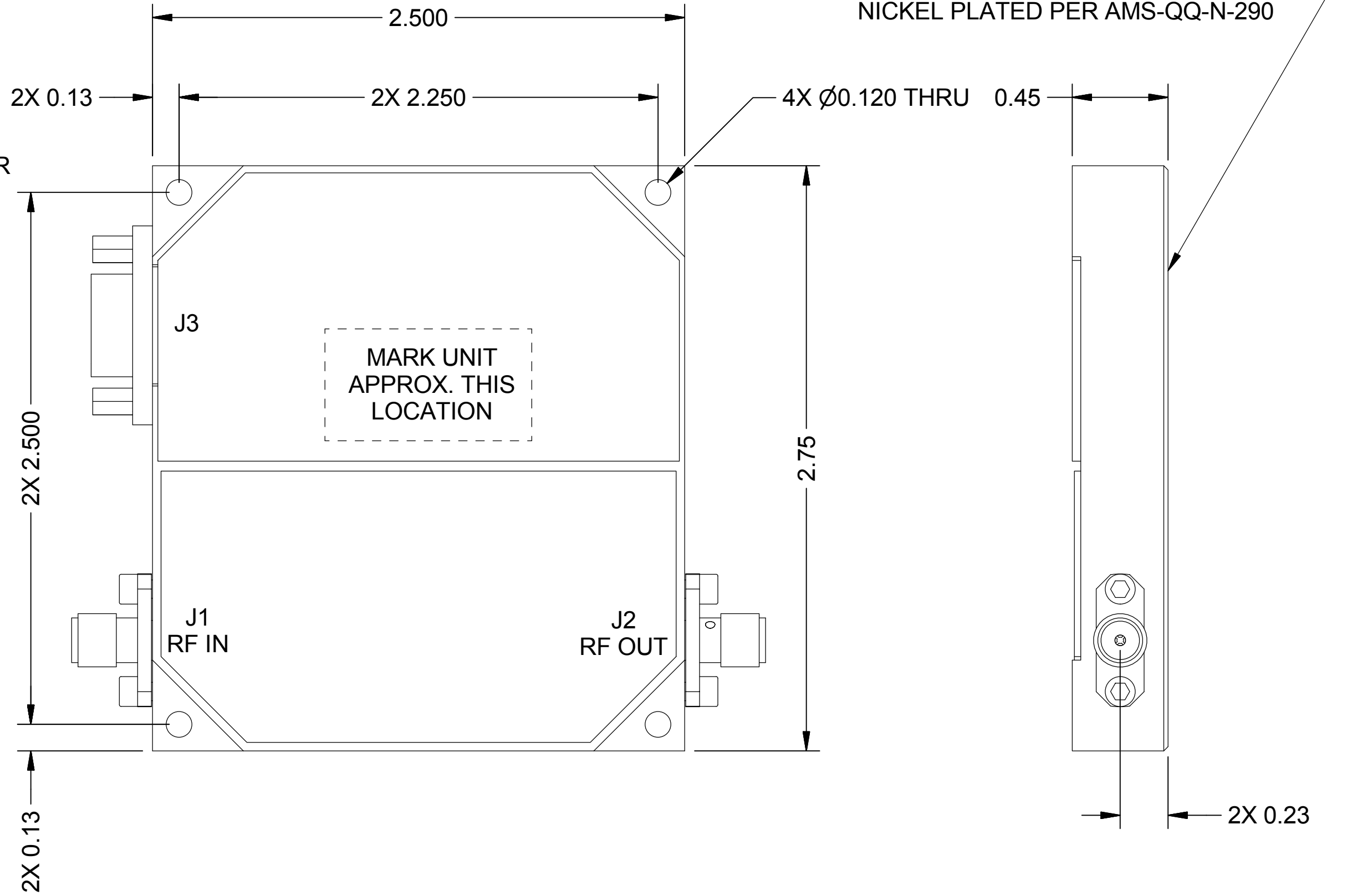
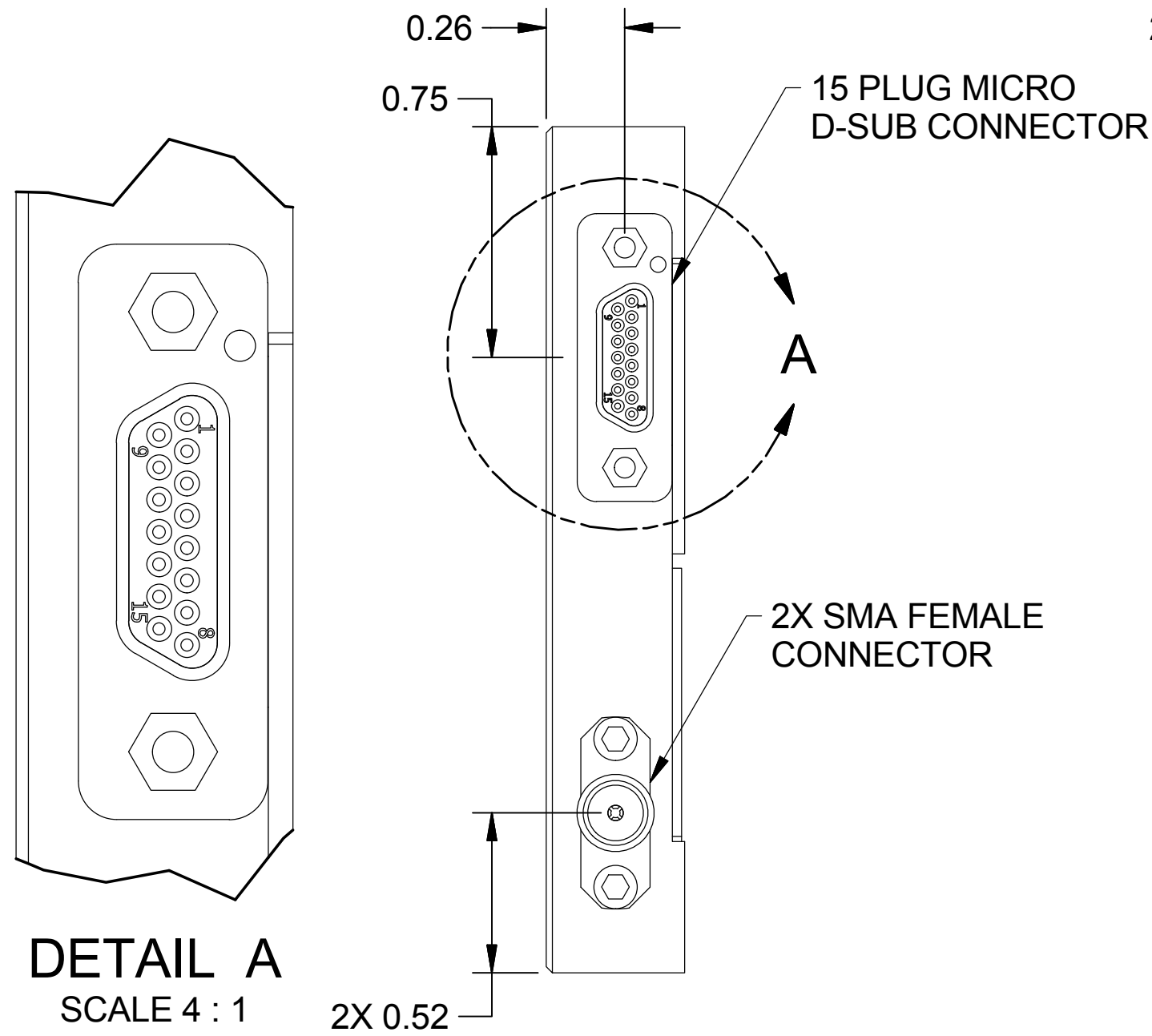
REVISION HISTORY				
REV	DESCRIPTION	DATE	CHK	APPVD
A	INITIAL RELEASE	07/31/12	D.F.E.	T.B.
B	ECO #110401	03/03/15		

TABLE	
PIN #	DESCRIPTION
1	+50V
2	+50V
3	GND
4	GND
5	N/C
6	N/C
7	OVER-CURRENT BIT
8	BLANKING TTL
9	+50V
10	+50V
11	GND
12	GND
13	N/C
14	N/C
15	OVER-TEMP BIT



ISO VIEW
SCALE 1 : 1


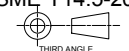
MOUNTING SURFACE
FREE OF PRIMER AND PAINT,
NICKEL PLATED PER AMS-QQ-N-290



2. MARKING: USING LABEL OR BLACK EPOXY INK TO INCLUDE:
DELTA MICROWAVE, MODEL NO., SERIAL NO.,
CODE IDENT. NO. 51719 AND DATE CODE

1. FINISH: HAZE GRAY EPOXY POLYAMIDE TOPCOAT
PER MIL-DTL-24441C,SUP.1
MIL-DTL-24441/21, TYP 3, FORMULA 151
USING GREEN EPOXY POLYAMIDE PRIMER
MIL-DTL-24441/20, TYP 3, FORMULA 150

NOTES:

UNLESS OTHERWISE SPECIFIED DIMENSIONS ARE IN INCHES TOLERANCES ARE: FRACTIONS DECIMALS ANGLES + .xx ± .03 + 1° - .xxx ± .010		CONTRACT NO. DM-HPMB-25-102		 Delta Microwave Inc. 300 Del Norte Boulevard Oxnard CA 93030	
MATERIAL		APPROVALS	DATE		
FINISH		DRAWN	T.BARTON	07/31/12	TITLE DM-HPMB-25-102 OUTLINE
USED ON MODEL#		CHECKED	D.F.ESTABROOK	7/31/2012	
DO NOT SCALE DRAWING		APPROVED	T.BARTON	7/31/2012	SIZE C
		REVISED	C.DE HORTA	03/03/15	CODE IDENT NO. 51719
		INTERPRET DRAWING PER ASME Y14.5-2009			DWG NO 001-0003
				SCALE 2 : 1	CAD FILE: 0020010 HPMB-25-102 TOP ASSEMBLY.iam
					SHEET 1 OF 1