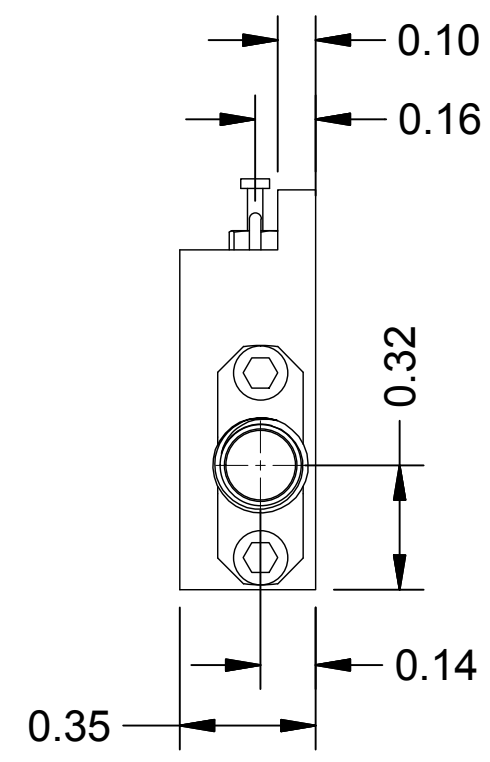
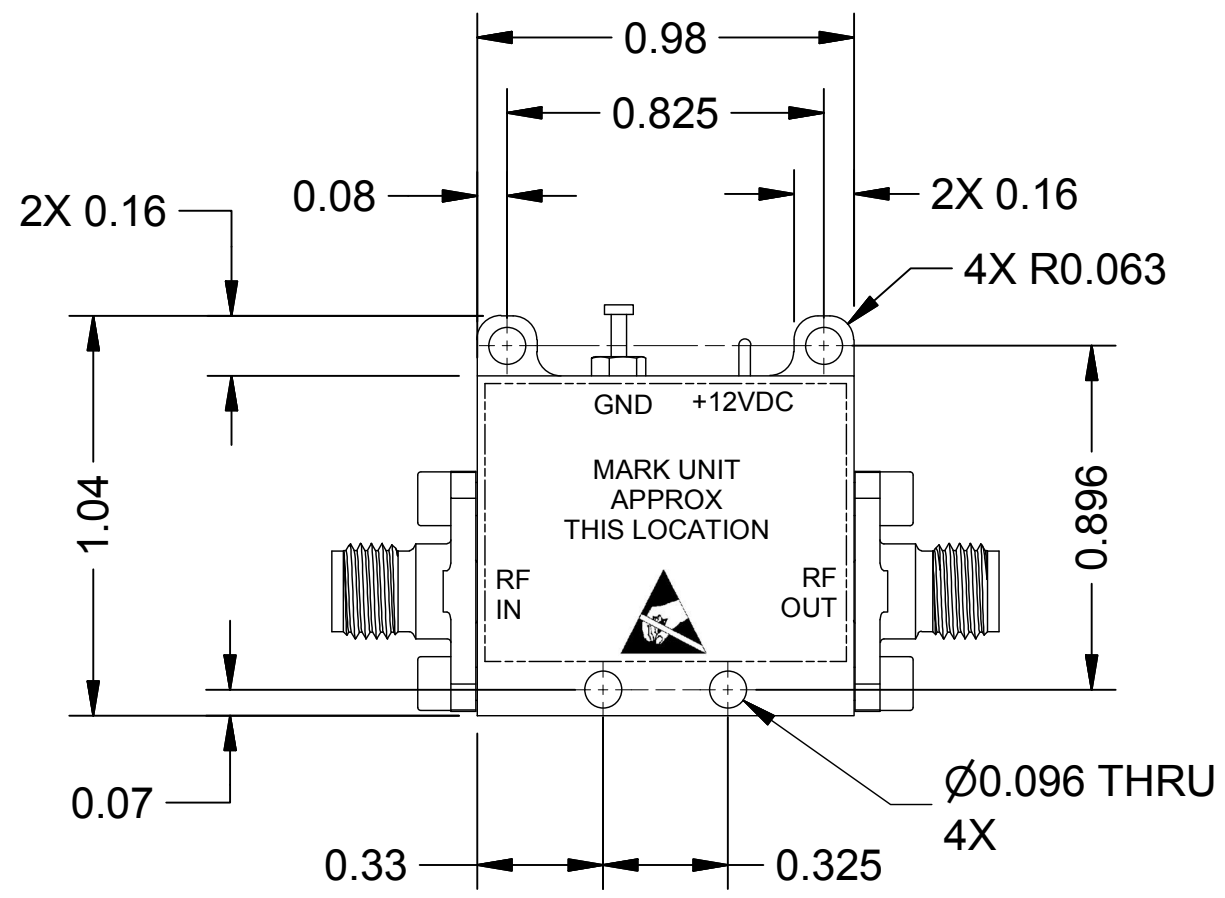
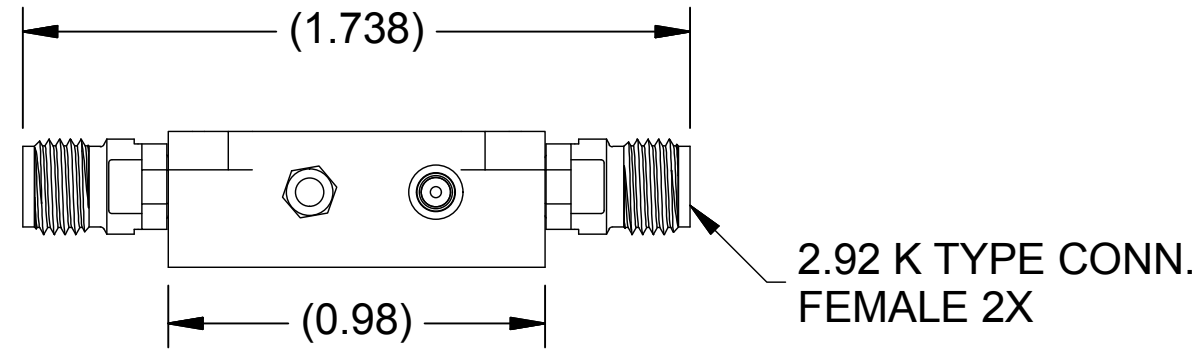


THIS DOCUMENT CONTAINS INFORMATION PROPRIETARY TO DELTA MICROWAVE. ANY REPRODUCTION WITHOUT WRITTEN PERMISSION IS EXPRESSLY PROHIBITED.

REVISION HISTORY				
REV	DESCRIPTION	DATE	CHK	APPVD
A	INITIAL RELEASE	09/10/12	JG	WK
B	ECO#110865	07/26/16		




2. MARKING: USING LABEL OR BLACK EPOXY INK TO INCLUDE:
 DELTA MICROWAVE
 MODEL NO.
 SERIAL NO.
 CODE IDENT. NO. 51719
 DATE CODE

1. FINISH: GOLD PLATE PER SCD10018 PER MIL-G-45204 TYPE 3, GRADE A, CLASS 1.

NOTES:

UNLESS OTHERWISE SPECIFIED DIMENSIONS ARE IN INCHES TOLERANCES ARE:		
FRACTIONS	DECIMALS	ANGLES
+	.xx ± .03	+ 1°
-	.xxx ± .010	-
MATERIAL		
FINISH SEE NOTE 1		
SURFACE AREA: 9.431 in ²		
MASS: 0.029 lbmass		
VOLUME: 0.304 in ³		
USED ON MODEL#	DO NOT SCALE DRAWING	

CONTRACT NO. DM-LNKA-60-101	
APPROVALS	DATE
DRAWN D.F.ESTABROOK	09/07/12
CHECKED J.GAVLIK	9/10/2012
APPROVED W.KNEIZEH	9/10/2012
REVISED R.SARRUCA	07/26/16
INTERPRET DRAWINGS PER ASME Y14.5-2009	
THIRD ANGLE PROJECTION	

 Delta Microwave Inc. 300 Del Norte Boulevard Oxnard CA. 93030		
TITLE		
DM-LNKA-60-101 OUTLINE		
SIZE	CODE IDENT NO.	DWG NO
B	51719	001-0005
SCALE 2:1		CAD FILE: 002-0007 LNKA-60-101 TOP ASSY.iam
SHEET 1 OF 1		