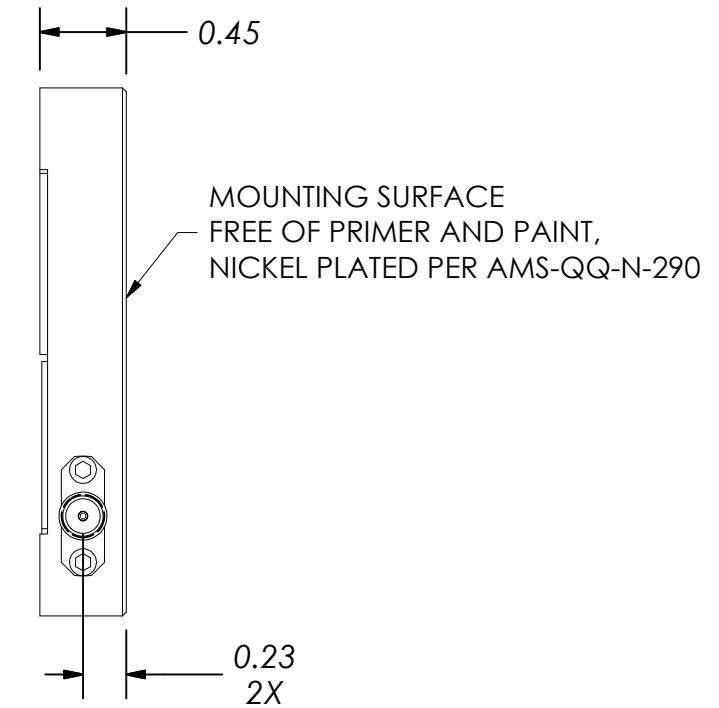
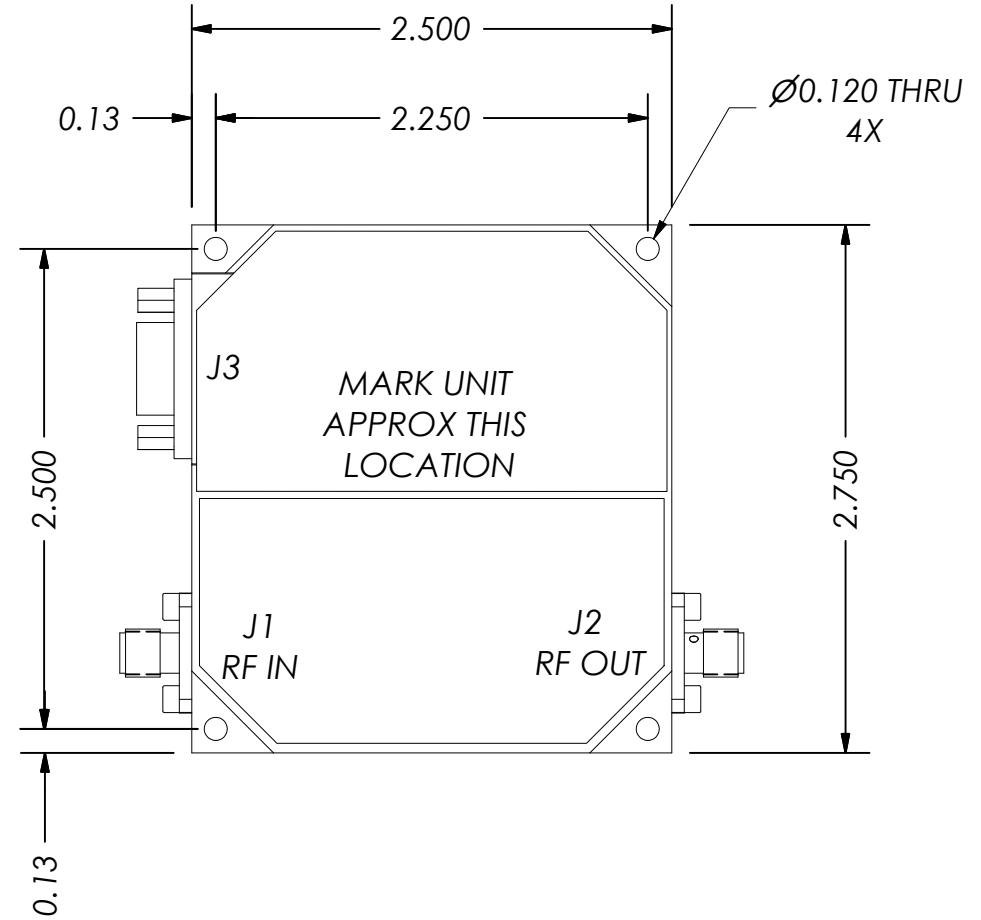
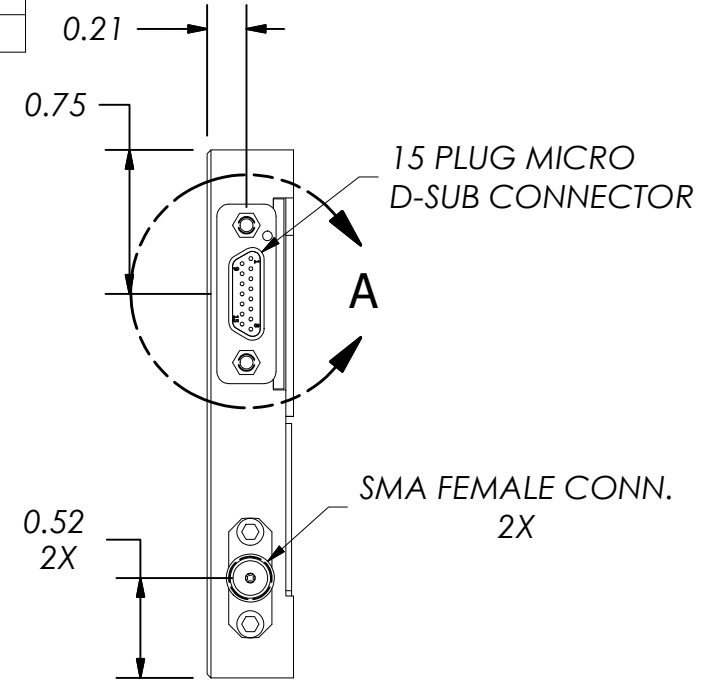
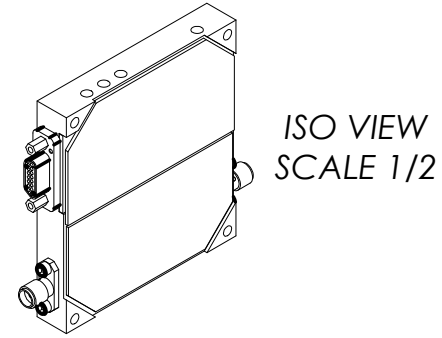


THIS DOCUMENT CONTAINS INFORMATION PROPRIETARY TO DELTA MICROWAVE. ANY REPRODUCTION WITHOUT WRITTEN PERMISSION IS EXPRESSLY PROHIBITED.

CUST. APPROVAL	ZONE	REV	DESCRIPTION	DATE	APPROVED
		A	INITIAL RELEASE	11/28/12	TB
		B	ECO#109829	11/08/13	TB
		C	ECO#109857	11/21/13	

PIN #	DESCRIPTION
1	+28V
2	+28V
3	GND
4	GND
5	N/C
6	N/C
7	OVER-CURRENT BIT
8	BLANKING TTL
9	+28V
10	+28V
11	GND
12	GND
13	N/C
14	N/C
15	OVER-TEMP BIT




DETAIL A
SCALE 2 : 1

2. MARKING: USING LABEL OR BLACK EPOXY INK TO INCLUDE:
DELTA MICROWAVE, MODEL NO., SERIAL NO.,
CODE IDENT. NO. 51719 AND DATE CODE

1: FINISH: HAZE GRAY EPOXY POLYAMIDE TOPCOAT
PER MIL-DTL-24441C, SUP.1
MIL-DTL-24441/21, TYP 3, FORMULA 151
USING GREEN EPOXY POLYAMIDE PRIMER
MIL-DTL-24441/20, TYP 3, FORMULA 150

NOTES:

UNLESS OTHERWISE SPECIFIED DIMENSIONS ARE IN INCHES TOLERANCES ARE: FRACTIONS DECIMALS ANGLES + .xx ± .03 + 1° - .xxx ± .010 -		CONTRACT NO. MB		 Delta Microwave Inc. 300 Del Norte Boulevard Oxnard CA. 93030			
APPROVALS		DATE					
DRAWN D.ESTABROOK		11/28/12		CATALOG OUTLINE			
REVISED R.SARRUCA		11/21/13					
CHECKED		APPROVED					
MATERIAL		FINISH		SIZE	CODE IDENT NO.	DWG NO	
USED ON MODEL#		DO NOT SCALE DRAWING		B	51719	001-0013	
		INTERPRET DRAWINGS PER ASME Y14.100 and ASME Y14.24		SCALE 1:1			SHEET 1 OF 1