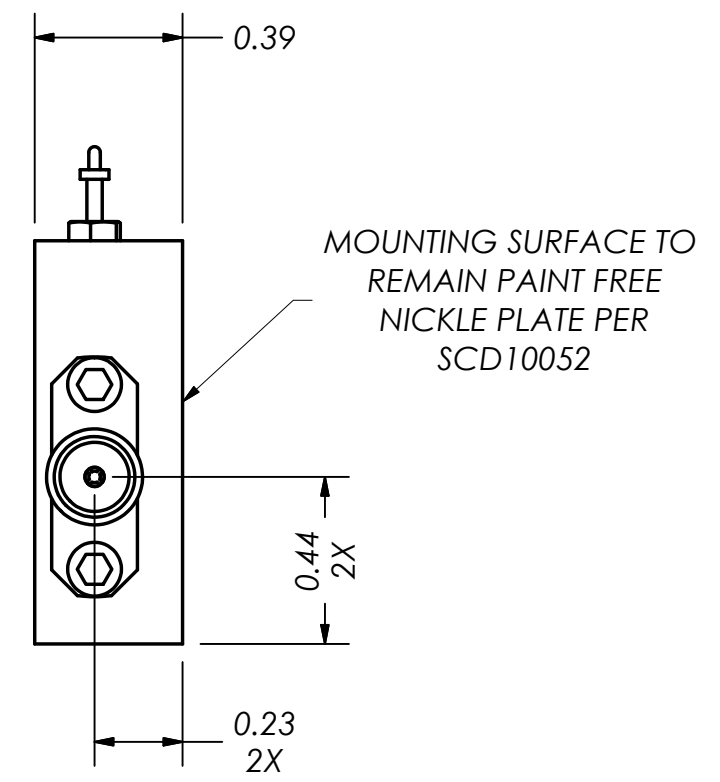
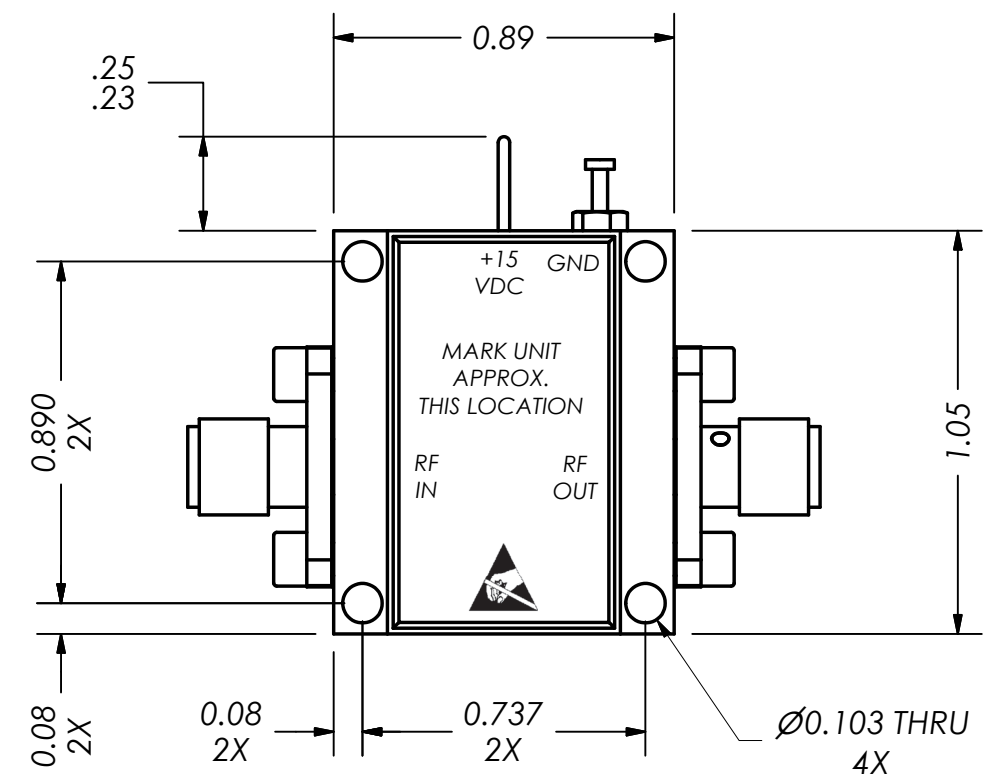
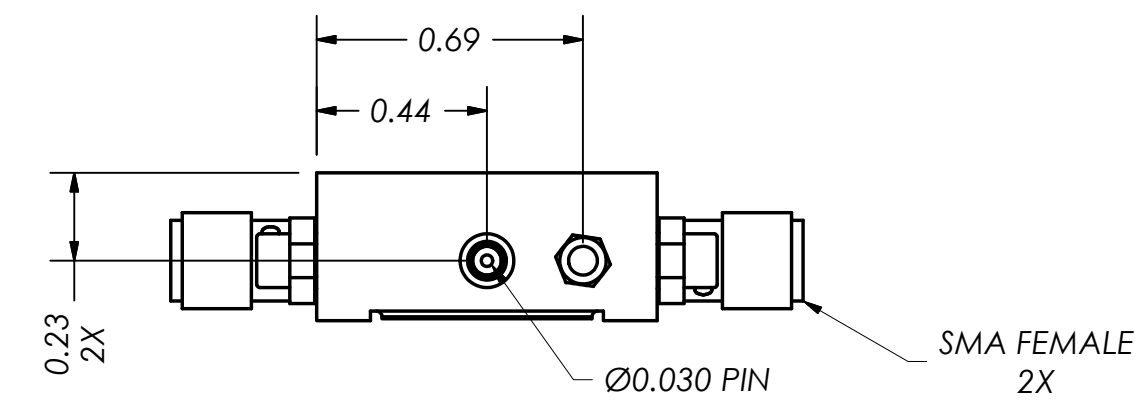


THIS DOCUMENT CONTAINS INFORMATION PROPRIETARY TO DELTA MICROWAVE. ANY REPRODUCTION WITHOUT WRITTEN PERMISSION IS EXPRESSLY PROHIBITED.

CUST. APPROVAL	ZONE	REV	DESCRIPTION	DATE	APPROVED
		A	INITIAL RELEASE	02/14/13	




2. MARKING: USING LABEL OR BLACK EPOXY INK TO INCLUDE:  
DELTA MICROWAVE, MODEL NO., SERIAL NO.,  
CODE IDENT. NO. 51719 AND DATE CODE

1: FINISH: HAZE GRAY EPOXY POLYAMIDE TOPCOAT  
PER MIL-DTL-24441C, SUP.1  
MIL-DTL-24441/21, TYP 3, FORMULA 151  
USING GREEN EPOXY POLYAMIDE PRIMER  
MIL-DTL-24441/20, TYP 3, FORMULA 150

NOTES:

UNLESS OTHERWISE SPECIFIED DIMENSIONS ARE IN INCHES TOLERANCES ARE: FRACTIONS    DECIMALS    ANGLES +                .xx ± .03            + 1° -                .xxx ± .010          -	CONTRACT NO.	MB	
	APPROVALS	DATE	
	DRAWN	D.F. ESTABROOK    02/13/13	
	REVISIONS		
MATERIAL	CHECKED		
FINISH	APPROVED		
USED ON MODEL#	DO NOT SCALE DRAWING		

 <b>Delta Microwave Inc.</b> 300 Del Norte Boulevard Oxnard CA. 93030		
TITLE		
<h1>0.1-26.5 GHz 2 STAGE LNA</h1>		
SIZE	CODE IDENT NO.	DWG NO
B	51719	001-0028
SCALE 10:1	SHEET 1 OF 1	