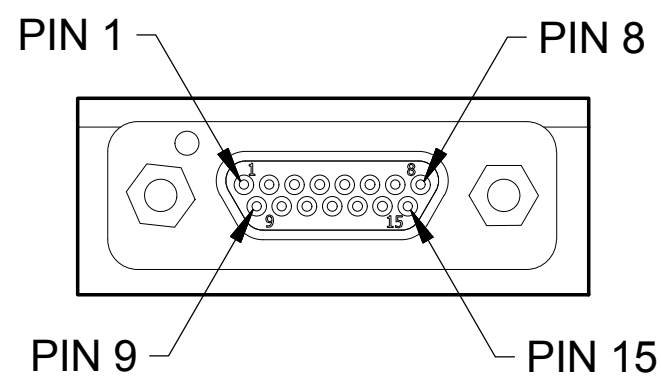


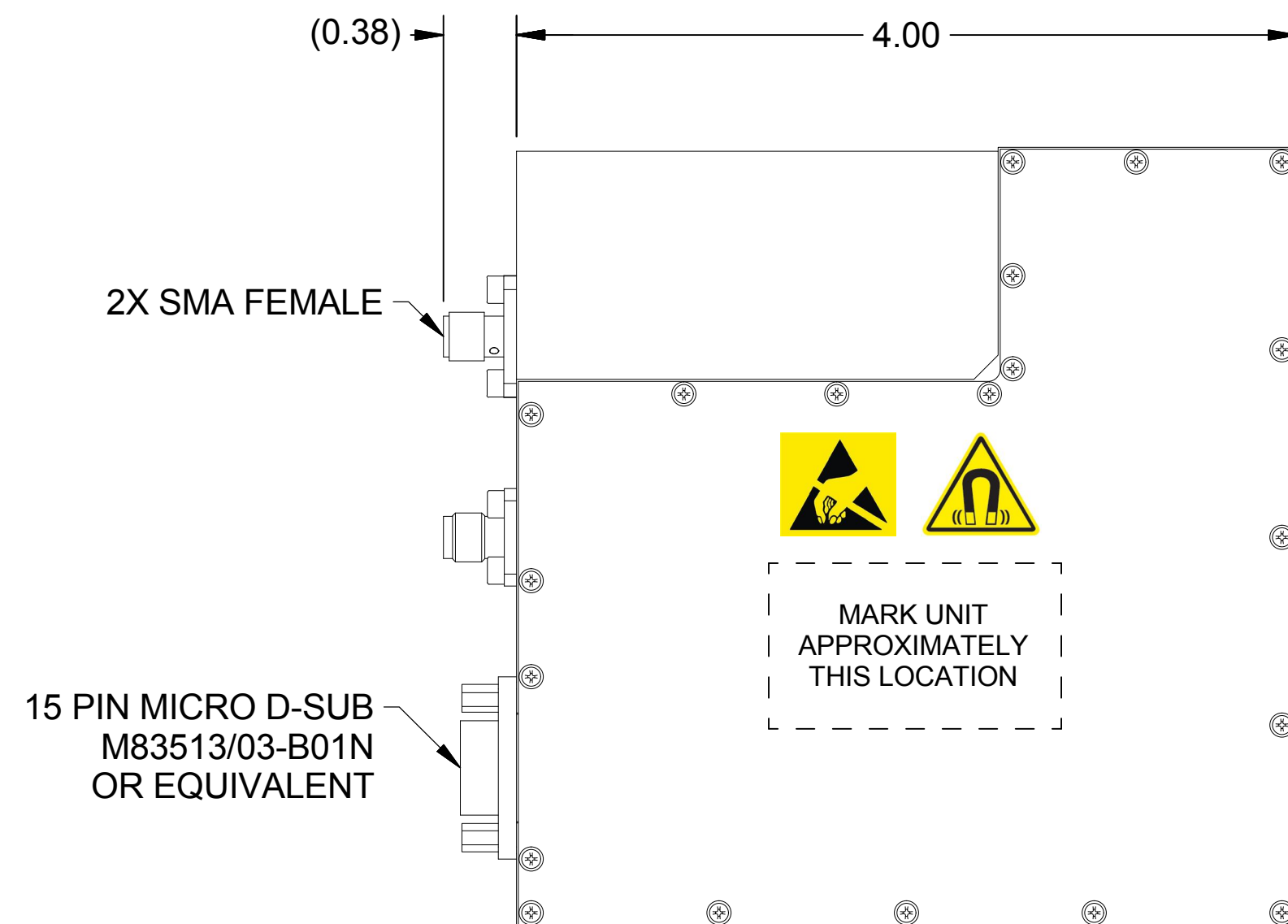
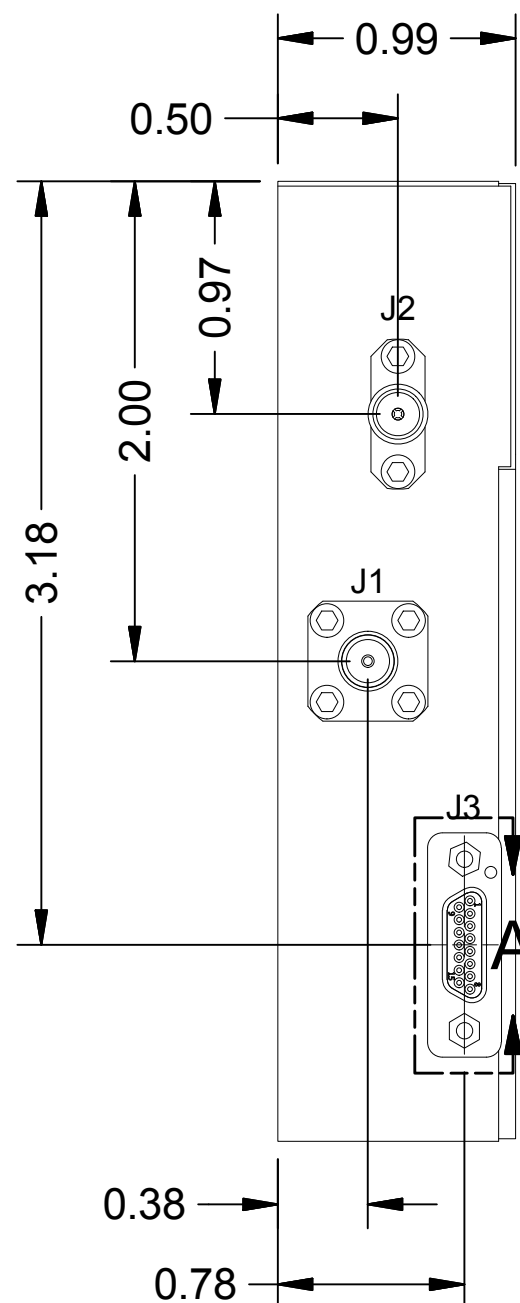
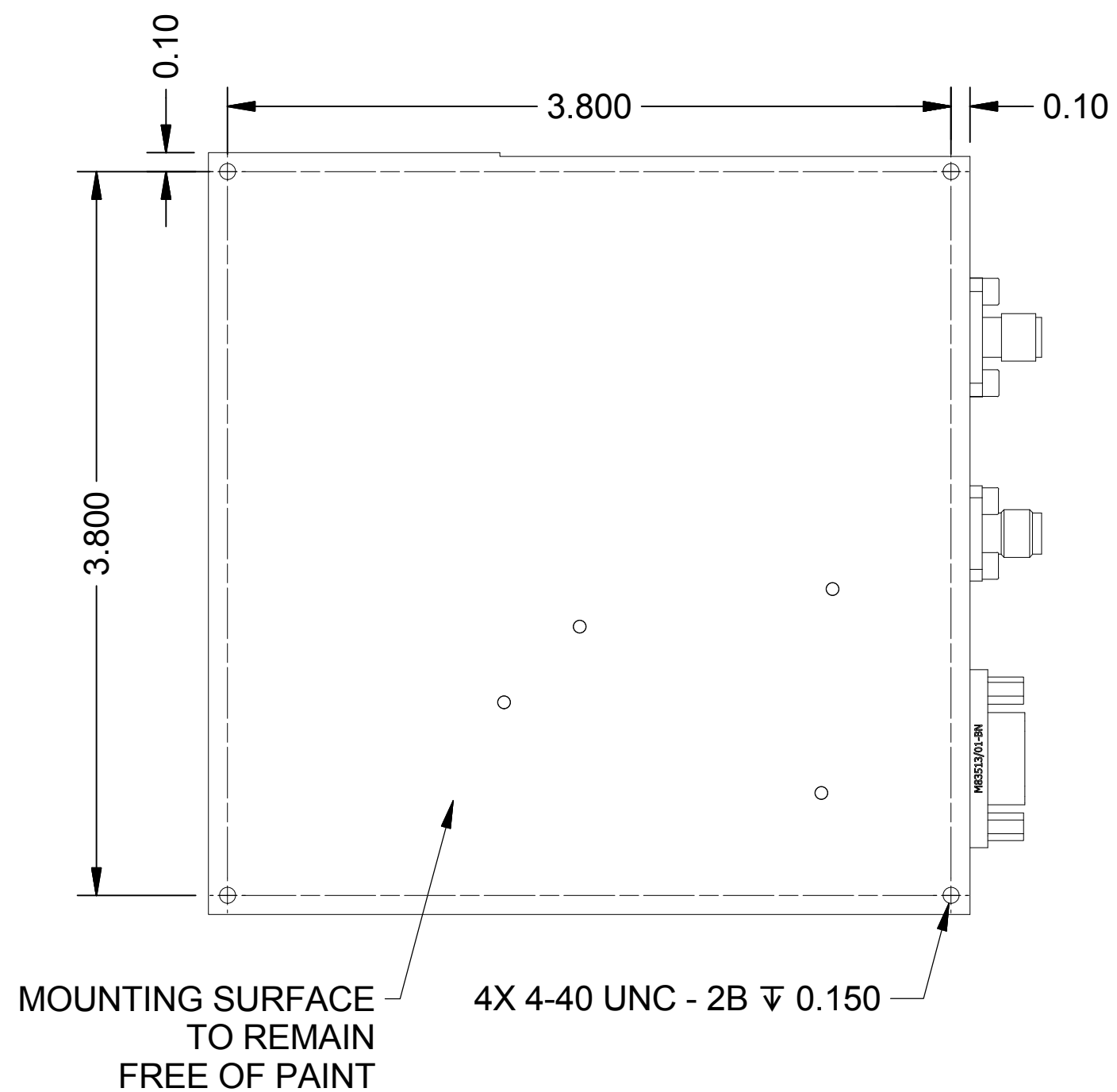
THIS DOCUMENT CONTAINS INFORMATION PROPRIETARY TO DELTA MICROWAVE. ANY REPRODUCTION OF THIS DOCUMENT WITHOUT WRITTEN PERMISSION IS EXPRESSLY PROHIBITED

REVISION HISTORY				
REV	DESCRIPTION	DATE	CHK	APPVD
A	INITIAL RELEASE	07/24/14	DRB	DRB
B	ECO #109718	07/24/13	CDH	DRB
C	ECO #110282	11/12/14		

PIN DESIGNATOR	
PIN	FUNCTION
1	+28V
2	+28V
3	GND
4	GND
5	N/C
6	N/C
7	N/C
8	BLANKING TTL
9	+28V
10	+28V
11	GND
12	GND
13	N/C
14	N/C
15	N/C




**DETAIL A**  
PIN LAYOUT  
SCALE 5 : 2



2. MARKING: USING LABEL OR BLACK EPOXY INK TO INCLUDE:  
DELTA MICROWAVE, MODEL NO., SERIAL NO.,  
CODE IDENT. NO. 51719 AND DATE CODE.  
ESD SYMBOL AND MAGNETIC WARNING SYMBOL.

1: FINISH: HAZE GRAY EPOXY POLYAMIDE TOPCOAT  
PER MIL-DTL-24441C, SUP.1  
MIL-DTL-24441/21, TYP 3, FORMULA 151  
USING GREEN EPOXY POLYAMIDE PRIMER  
MIL-DTL-24441/20, TYP 3, FORMULA 150  
WITH SILVER PLATING FINISH  
MOUNTING SURFACE IS SILVER PLATED, TO BE FREE OF PAINT

NOTES:

UNLESS OTHERWISE SPECIFIED DIMENSIONS ARE IN INCHES TOLERANCES ARE: FRACTIONS DECIMALS ANGLES + .003 - .010 + .1°		CONTRACT NO. DM-HPL-20-101		 <b>Delta Microwave Inc.</b> 300 Del Norte Boulevard Oxnard CA 93030	
APPROVALS		DATE			
DRAWN G.CASTANON		04/11/13		TITLE DM-HPL-20-101 OUTLINE	
CHECKED D.BOWLER		4/11/2013		SIZE C	
APPROVED D.BOWLER		4/11/2013		CODE IDENT NO. 51719	
REVISED C.DE HORTA		11/12/14		DWG NO. 001-0037	
INTERPRET DRAWING PER ASME Y14.5-2009		SCALE 5 : 4		SHEET 1 OF 1	
USED ON MODEL#	DO NOT SCALE DRAWING	CAD FILE: 002-0082 DM-HPL-20-101 TOP ASSEMBLY.iam			