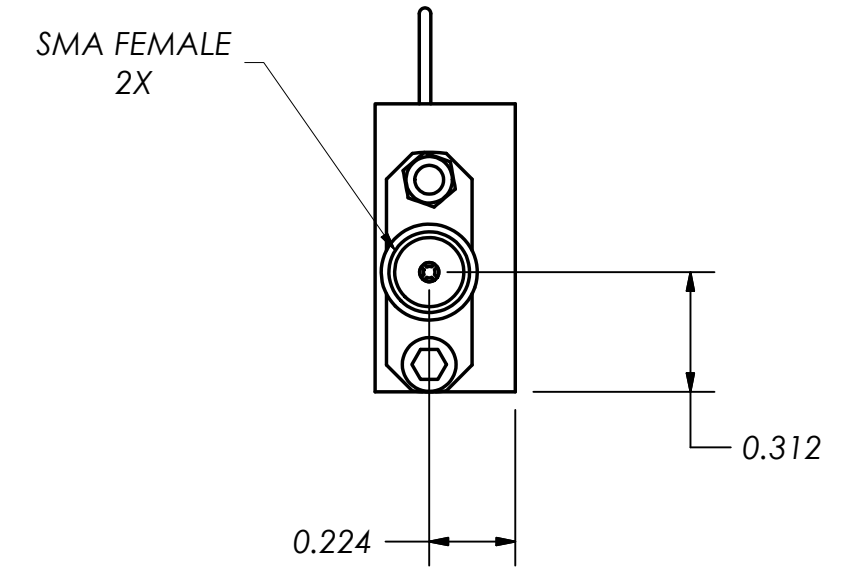
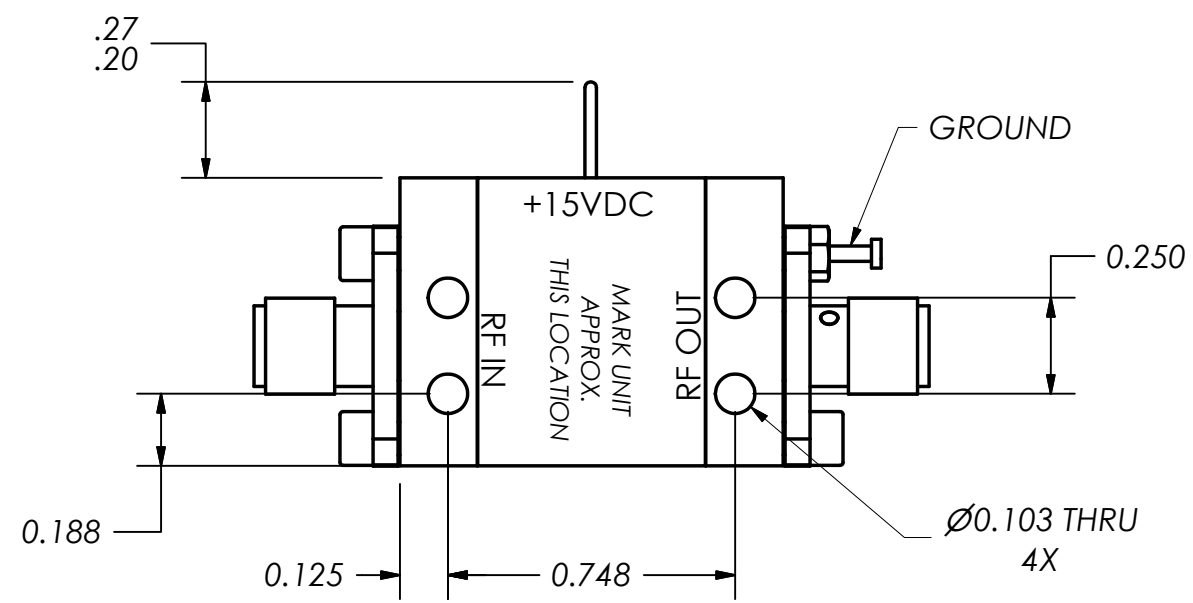
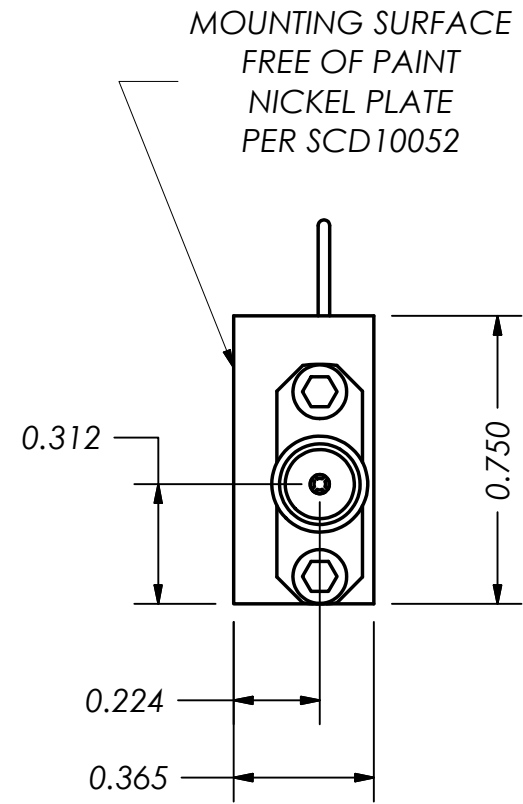
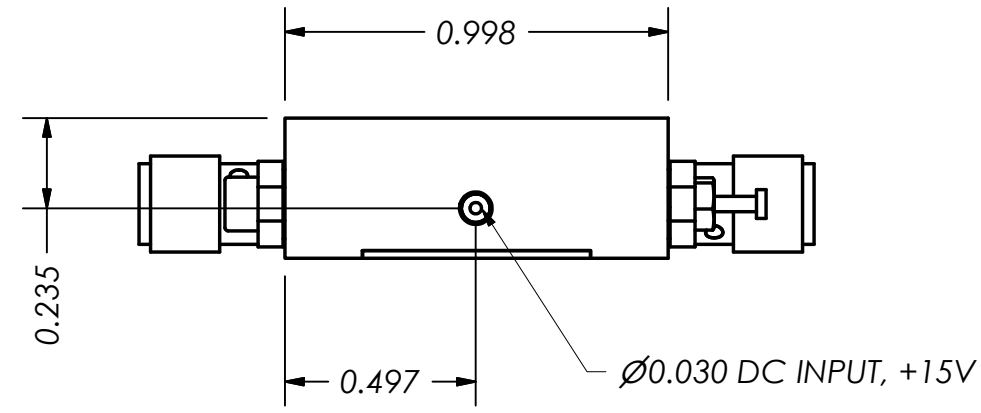


THIS DOCUMENT CONTAINS INFORMATION PROPRIETARY TO DELTA MICROWAVE. ANY REPRODUCTION WITHOUT WRITTEN PERMISSION IS EXPRESSLY PROHIBITED.


CUST. APPROVAL	ZONE	REV	DESCRIPTION	DATE	APPROVED
		A	INITIAL RELEASE	08/20/13	A.WONG
		B	ECO#109925	01/29/14	



2. MARKING: USING LABEL OR BLACK EPOXY INK TO INCLUDE:  
DELTA MICROWAVE, MODEL NO., SERIAL NO.,  
CODE IDENT. NO. 51719 AND DATE CODE

1: FINISH: HAZE GRAY EPOXY POLYAMIDE TOPCOAT  
PER MIL-DTL-24441C, SUP.1  
MIL-DTL-24441/21, TYP 3, FORMULA 151  
USING GREEN EPOXY POLYAMIDE PRIMER  
MIL-DTL-24441/20, TYP 3, FORMULA 150

NOTES:

UNLESS OTHERWISE SPECIFIED DIMENSIONS ARE IN INCHES TOLERANCES ARE: FRACTIONS    DECIMALS    ANGLES +                .xx ± .01                + 1° -                .xxx ± .003              -		CONTRACT NO. MB		 <b>Delta Microwave Inc.</b> 300 Del Norte Boulevard Oxnard CA. 93030	
APPROVALS		DATE			
DRAWN D.F.ESTABROOK		08/20/13		TITLE <b>BROADBAND 3 STAGE OUTLINE</b>	
REVISED D.F.ESTABROOK		01/29/14			
MATERIAL		CHECKED		SIZE    CODE IDENT NO.    DWG NO	
FINISH		APPROVED		B    51719    001-0052	
USED ON MODEL#		DO NOT SCALE DRAWING		SCALE 2:1    SHEET 1 OF 1	
		INTERPRET DRAWINGS PER ASME Y14.100 and ASME Y14.24			