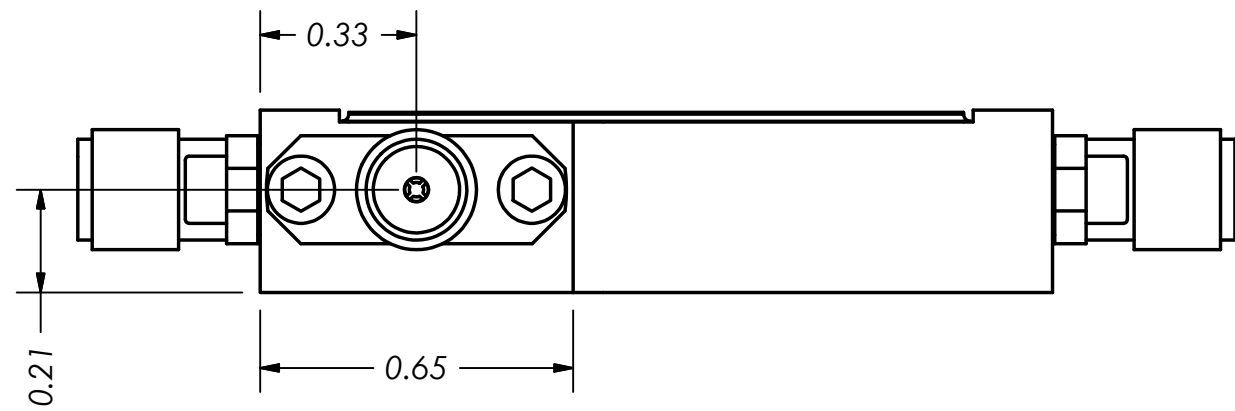
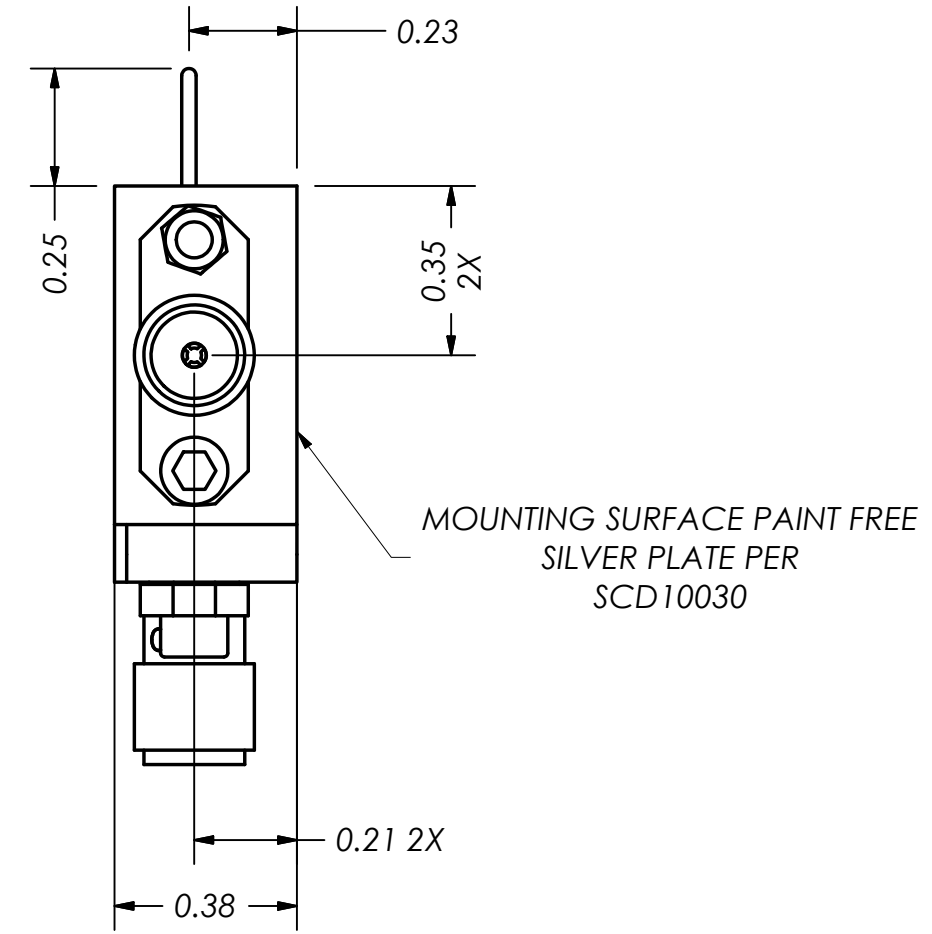
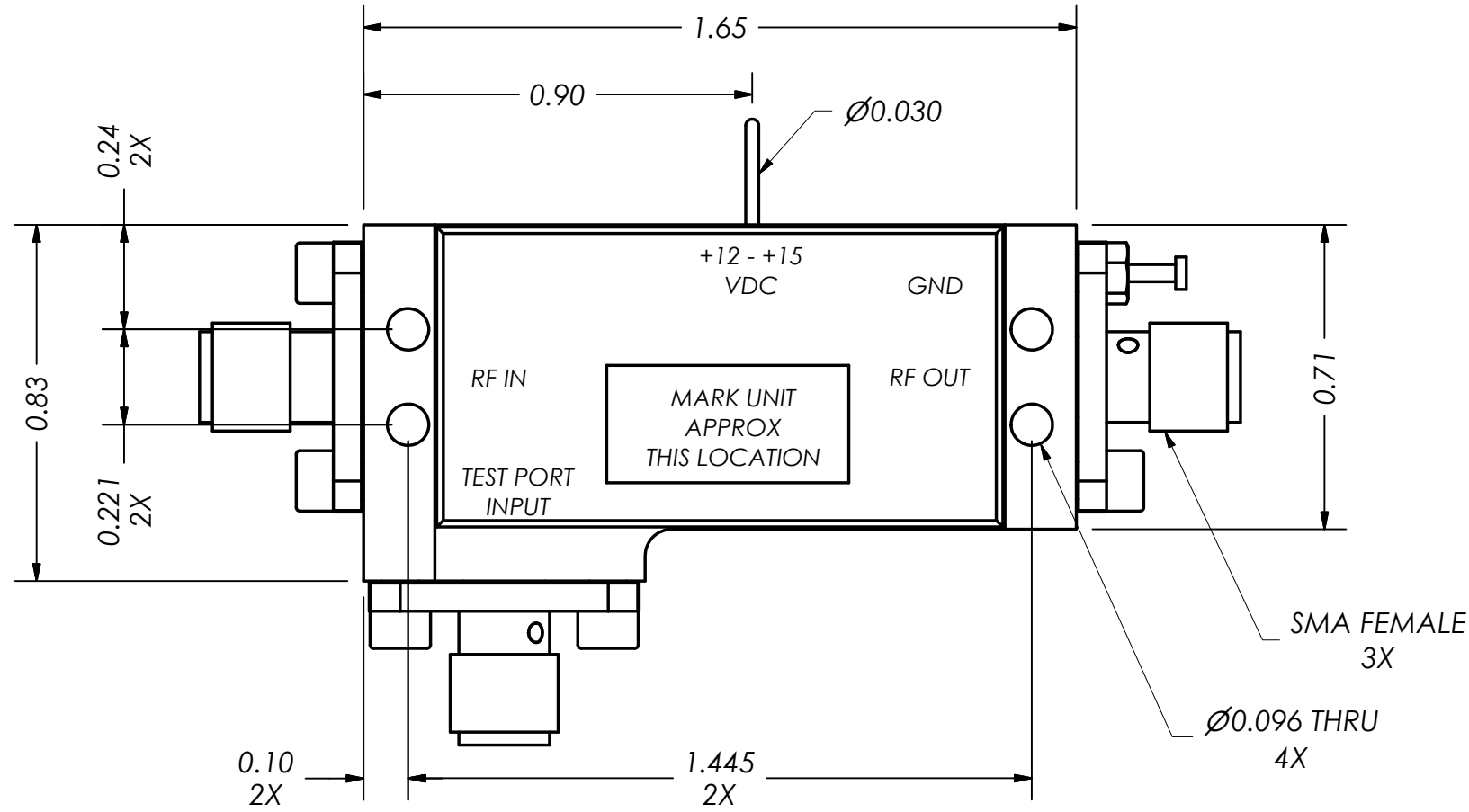


THIS DOCUMENT CONTAINS INFORMATION PROPRIETARY TO DELTA MICROWAVE. ANY REPRODUCTION WITHOUT WRITTEN PERMISSION IS EXPRESSLY PROHIBITED.

CUST. APPROVAL	ZONE	REV	DESCRIPTION	DATE	APPROVED
		A	INITIAL RELEASE	10/02/13	



2. MARKING: USING LABEL OR BLACK EPOXY INK TO INCLUDE:  
DELTA MICROWAVE, MODEL NO., SERIAL NO.,  
CODE IDENT. NO. 51719 AND DATE CODE

1: FINISH: HAZE GRAY EPOXY POLYAMIDE TOPCOAT  
PER MIL-DTL-24441C, SUP.1  
MIL-DTL-24441/21, TYP 3, FORMULA 151  
USING GREEN EPOXY POLYAMIDE PRIMER  
MIL-DTL-24441/20, TYP 3, FORMULA 150

NOTES:

UNLESS OTHERWISE SPECIFIED  
DIMENSIONS ARE IN INCHES  
TOLERANCES ARE:

FRACTIONS	DECIMALS	ANGLES
+	.xx ± .03	+ 1°
-	.xxx ± .010	

MATERIAL

FINISH

USED ON MODEL#

CONTRACT NO. MB	
APPROVALS	DATE
DRAWN C. DE HORTA	10/02/13
REVISED	
CHECKED	
APPROVED	
INTERPRET DRAWINGS PER ASME Y14.100 and ASME Y14.24	

**Delta Microwave Inc.**  
300 Del Norte Boulevard Oxnard CA. 93030

**LNA WITH TEST PORT OUTLINE**

SIZE <b>B</b>	CODE IDENT NO. <b>51719</b>	DWG NO. <b>001-0066</b>
SCALE 2.5:1		SHEET 1 OF 1

4

3

2

1