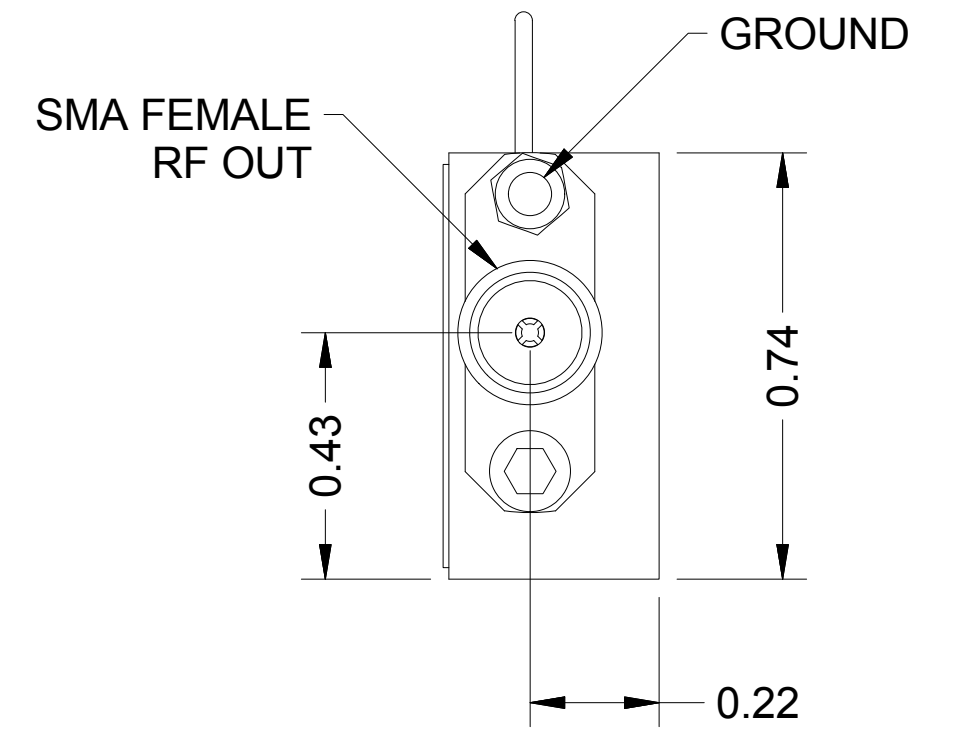
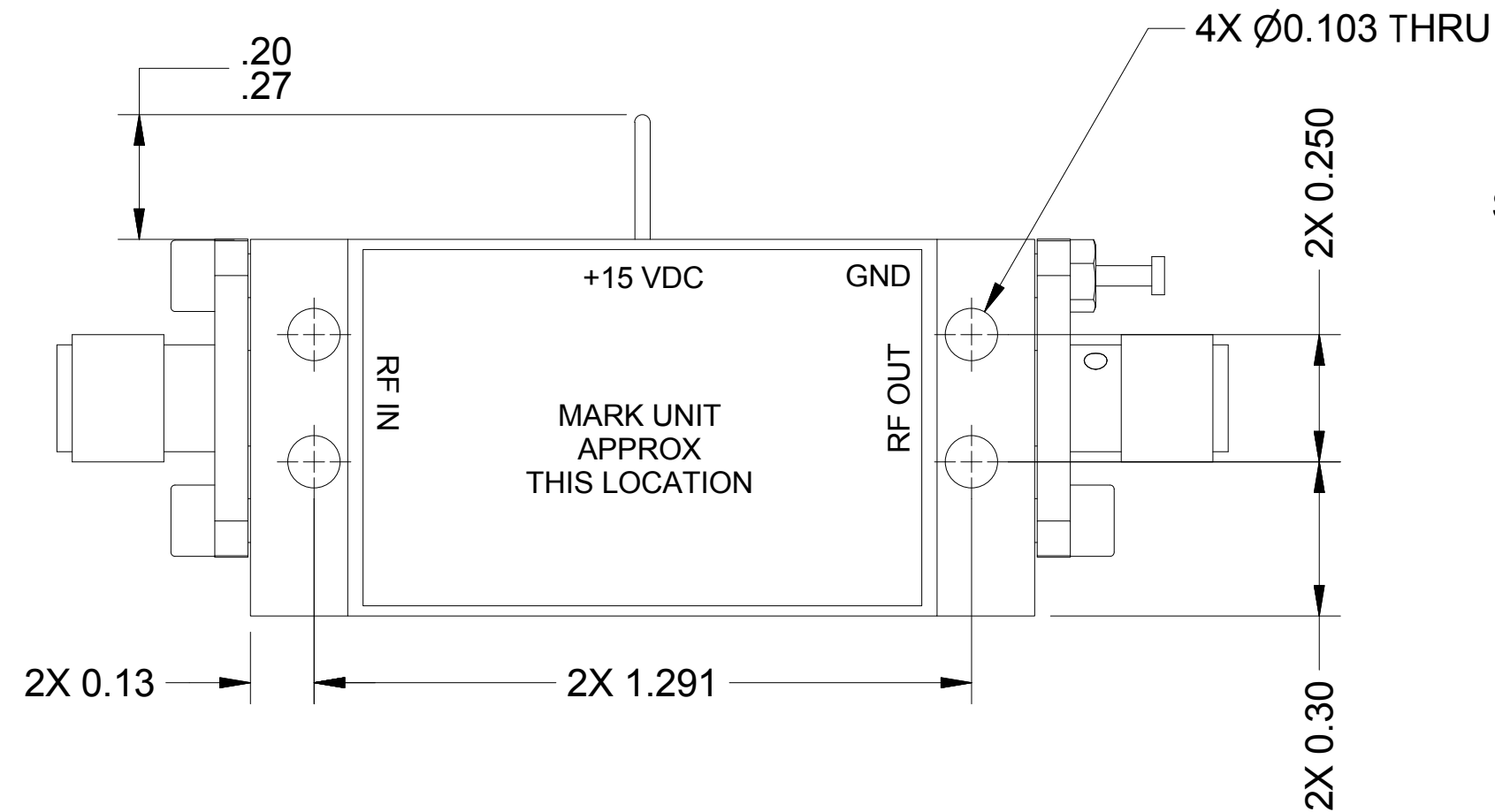
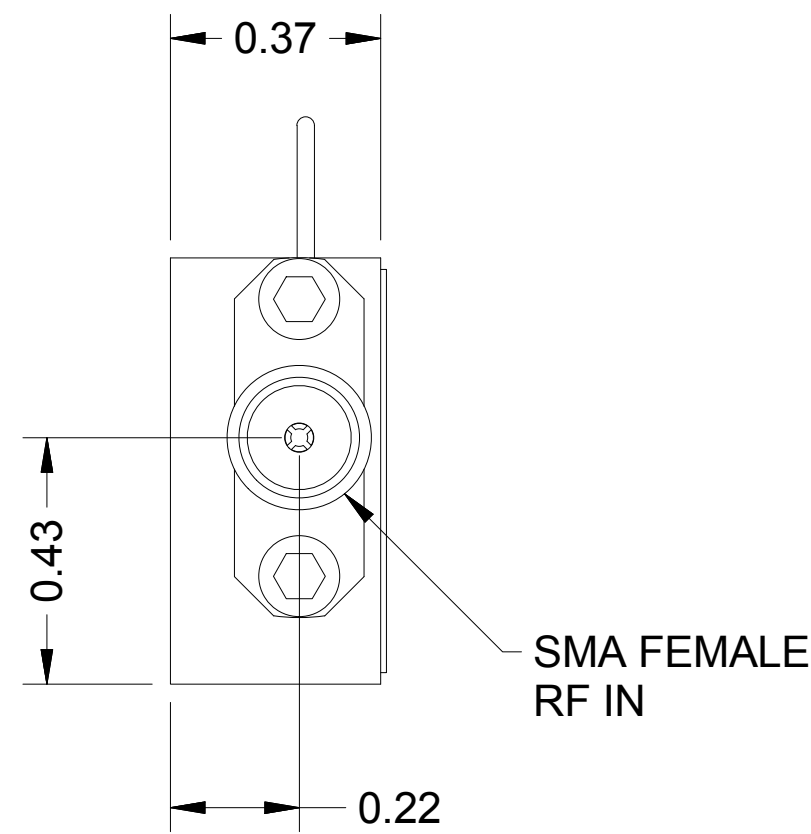
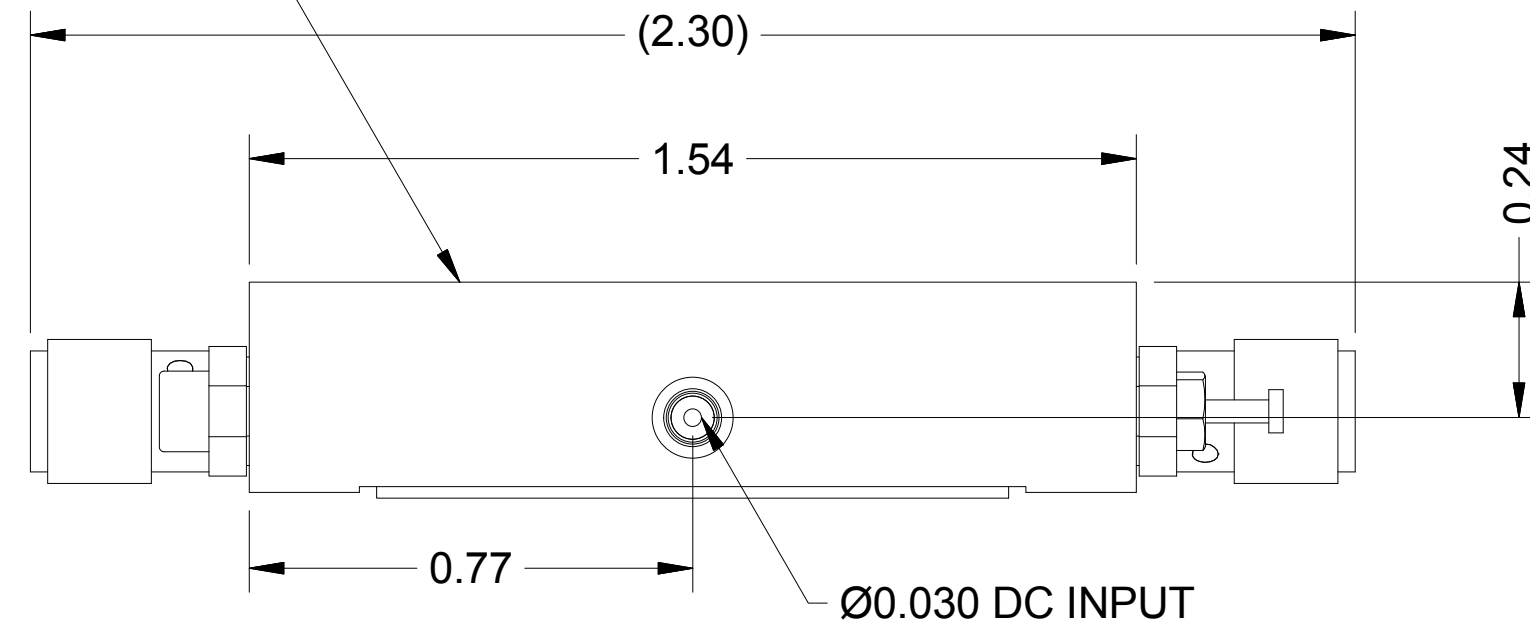


THIS DOCUMENT CONTAINS INFORMATION PROPRIETARY TO DELTA MICROWAVE. ANY REPRODUCTION OF THIS DOCUMENT WITHOUT WRITTEN PERMISSION IS EXPRESSLY PROHIBITED

REVISION HISTORY				
REV	DESCRIPTION	DATE	CHK	APPVD
A	INITIAL RELEASE	07/23/14		

MOUNTING SURFACE TO BE FREE OF PAINT




2. MARKING: USING LABEL OR BLACK EPOXY INK TO INCLUDE:  
DELTA MICROWAVE, MODEL NO., SERIAL NO.,  
CODE IDENT. NO. 51719 AND DATE CODE.

1. FINISH: HAZE GRAY EPOXY POLYAMIDE TOPCOAT  
PER MIL-DTL-24441C, SUP.1  
MIL-DTL-24441/21, TYP 3, FORMULA 151  
USING GREEN EPOXY POLYAMIDE PRIMER  
MIL-DTL-24441/20, TYP 3, FORMULA 150

NOTES:

UNLESS OTHERWISE SPECIFIED DIMENSIONS ARE IN INCHES		
TOLERANCES ARE:		
FRACTIONS	DECIMALS	ANGLES
+	.xx ±.03	+ .5°
-	.xxx ±.010	
MATERIAL		
FINISH		
1		
DO NOT SCALE DRAWING		

CONTRACT NO. MB	
APPROVALS	DATE
DRAWN C. DE HORTA	07/23/14
CHECKED	
APPROVED	
REVISED	
INTERPRET DRAWING PER ASME Y14.5-2009	

 <b>Delta Microwave Inc.</b> 300 Del Norte Boulevard Oxnard CA 93030		
TITLE <b>6-18GHz, 4 STAGE OUTLINE</b>		
SIZE <b>C</b>	CODE IDENT NO. <b>51719</b>	DWG NO. <b>001-0076</b>
SCALE <b>3 : 1</b>	CAD FILE: 002-0140 DM-LNK-18-101 TOP ASSEMBLY.iam	SHEET <b>1</b> OF <b>1</b>