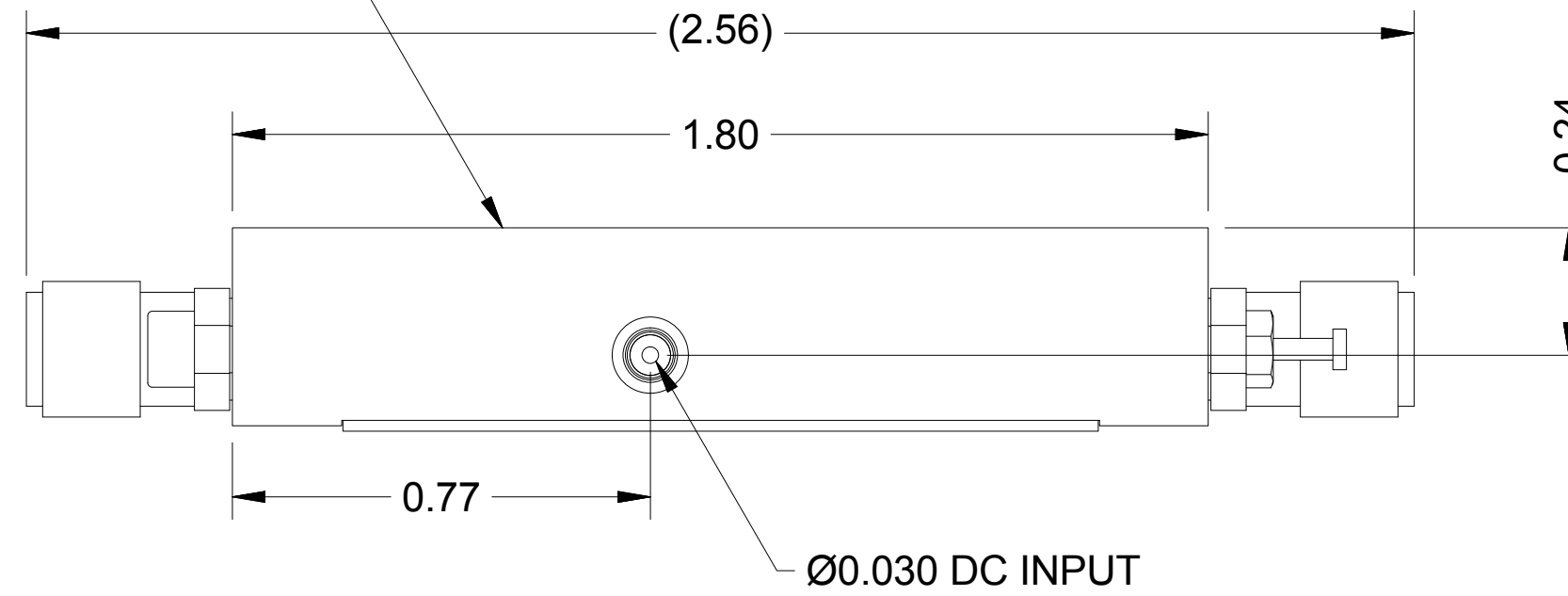


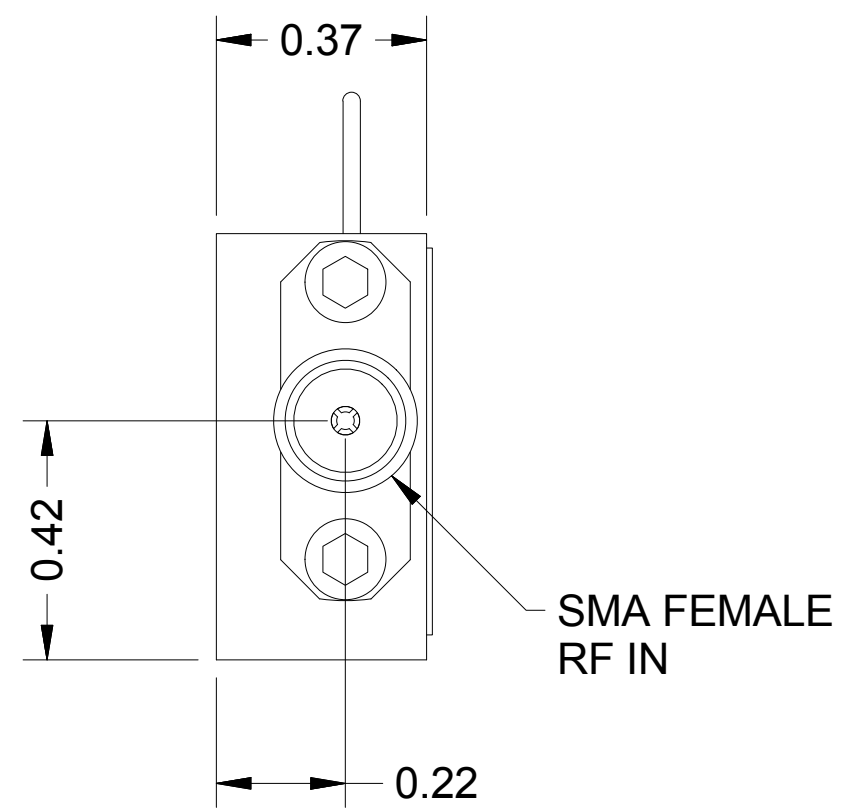
THIS DOCUMENT CONTAINS INFORMATION PROPRIETARY TO DELTA MICROWAVE. ANY REPRODUCTION OF THIS DOCUMENT WITHOUT WRITTEN PERMISSION IS EXPRESSLY PROHIBITED

REVISION HISTORY				
REV	DESCRIPTION	DATE	CHK	APPVD
A	INITIAL RELEASE	07/23/14		

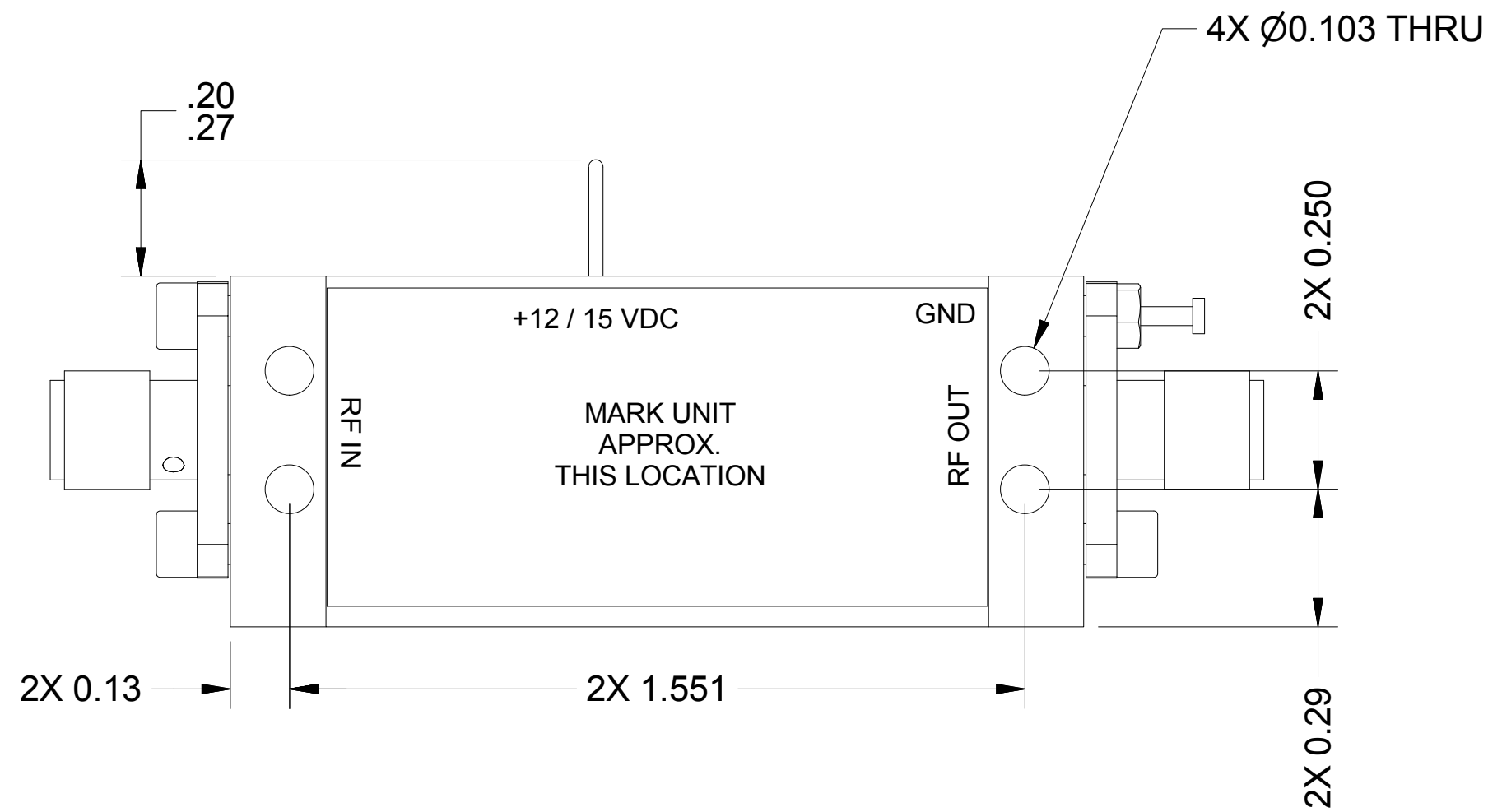
MOUNTING SURFACE TO BE FREE OF PAINT



Ø0.030 DC INPUT



SMA FEMALE RF IN



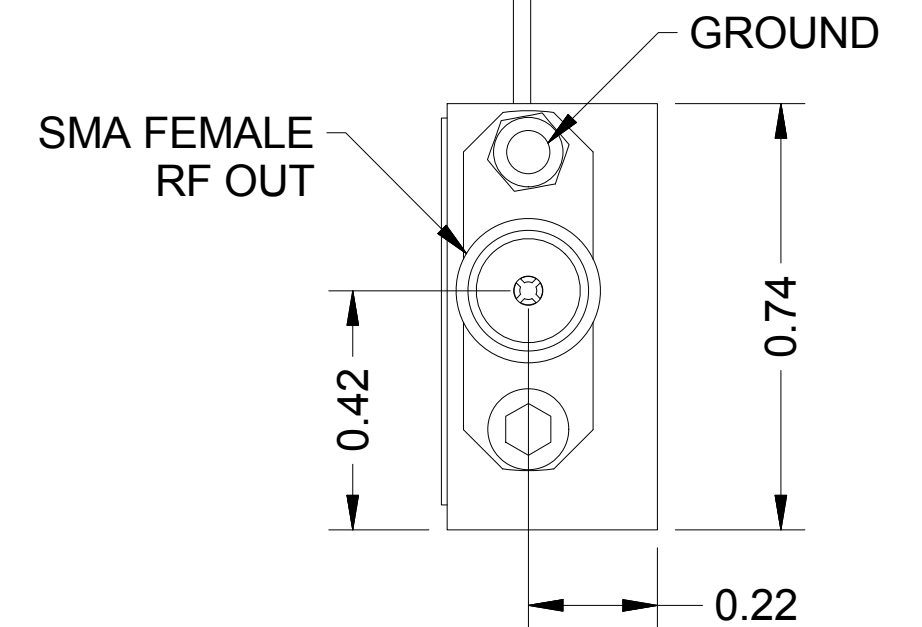
+12 / 15 VDC

GND

RF IN

RF OUT

MARK UNIT APPROX. THIS LOCATION



SMA FEMALE RF OUT

GROUND


2. MARKING: USING LABEL OR BLACK EPOXY INK TO INCLUDE: DELTA MICROWAVE, MODEL NO., SERIAL NO., CODE IDENT. NO. 51719 AND DATE CODE.

1. FINISH: HAZE GRAY EPOXY POLYAMIDE TOPCOAT PER MIL-DTL-24441C, SUP.1 MIL-DTL-24441/21, TYP 3, FORMULA 151 USING GREEN EPOXY POLYAMIDE PRIMER MIL-DTL-24441/20, TYP 3, FORMULA 150

NOTES:

UNLESS OTHERWISE SPECIFIED DIMENSIONS ARE IN INCHES		
TOLERANCES ARE:		
FRACTIONS	DECIMALS	ANGLES
+	.xx ±.03	+ .5°
-	.xxx ±.010	
MATERIAL		
FINISH		
DO NOT SCALE DRAWING		

CONTRACT NO. MB	
APPROVALS	DATE
DRAWN C. DE HORTA	07/23/14
CHECKED	
APPROVED	
REVISED	
INTERPRET DRAWING PER ASME Y14.5-2009	

 Delta Microwave Inc. 300 Del Norte Boulevard Oxnard CA 93030		
TITLE 6-18GHz, 5 STAGE		
SIZE C	CODE IDENT NO. 51719	DWG NO. 001-0077
SCALE 3 : 1	CAD FILE: 002-0139 DM-LNMB-35-103 TOP ASSEMBLY.iam	SHEET 1 OF 1