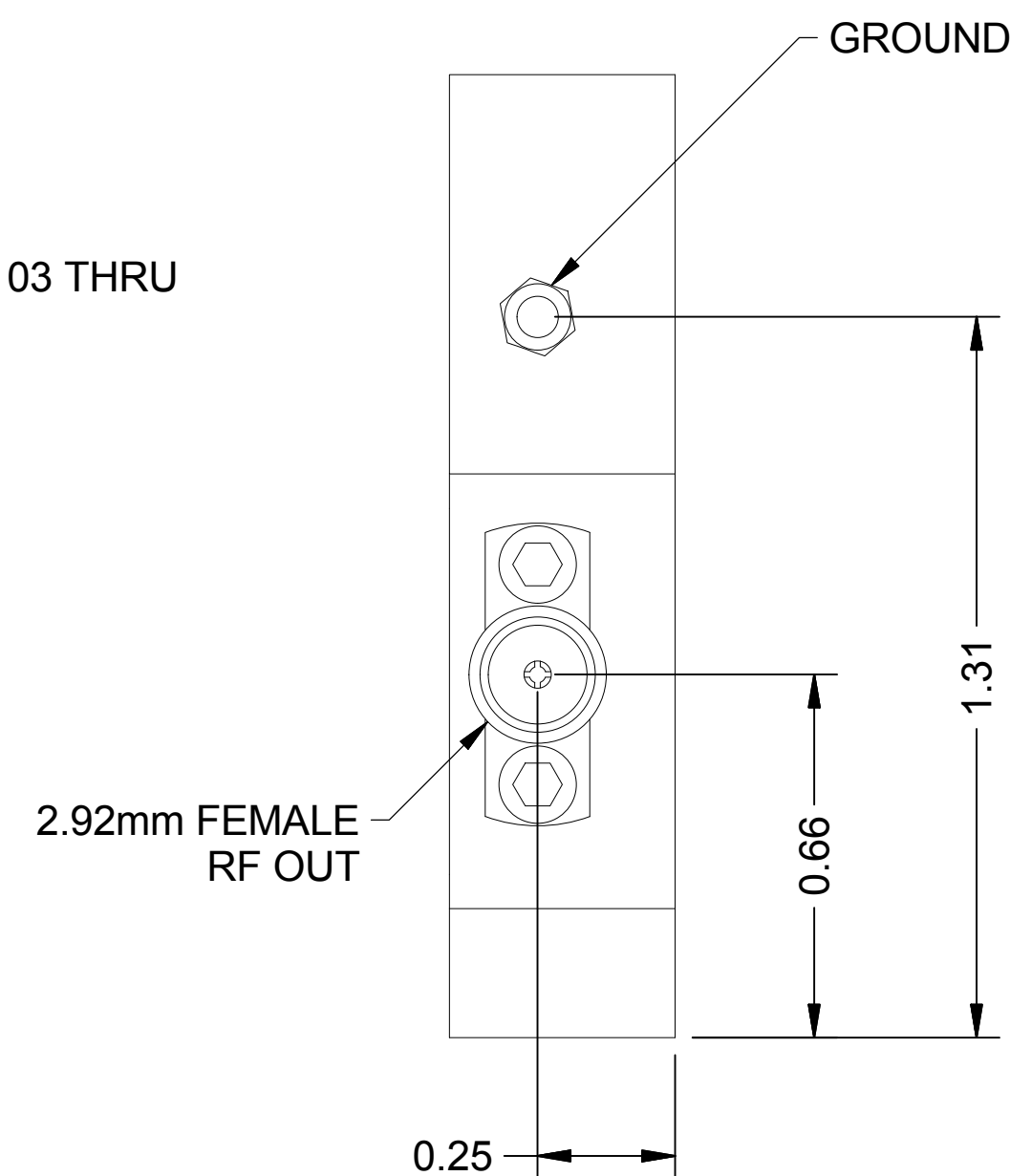
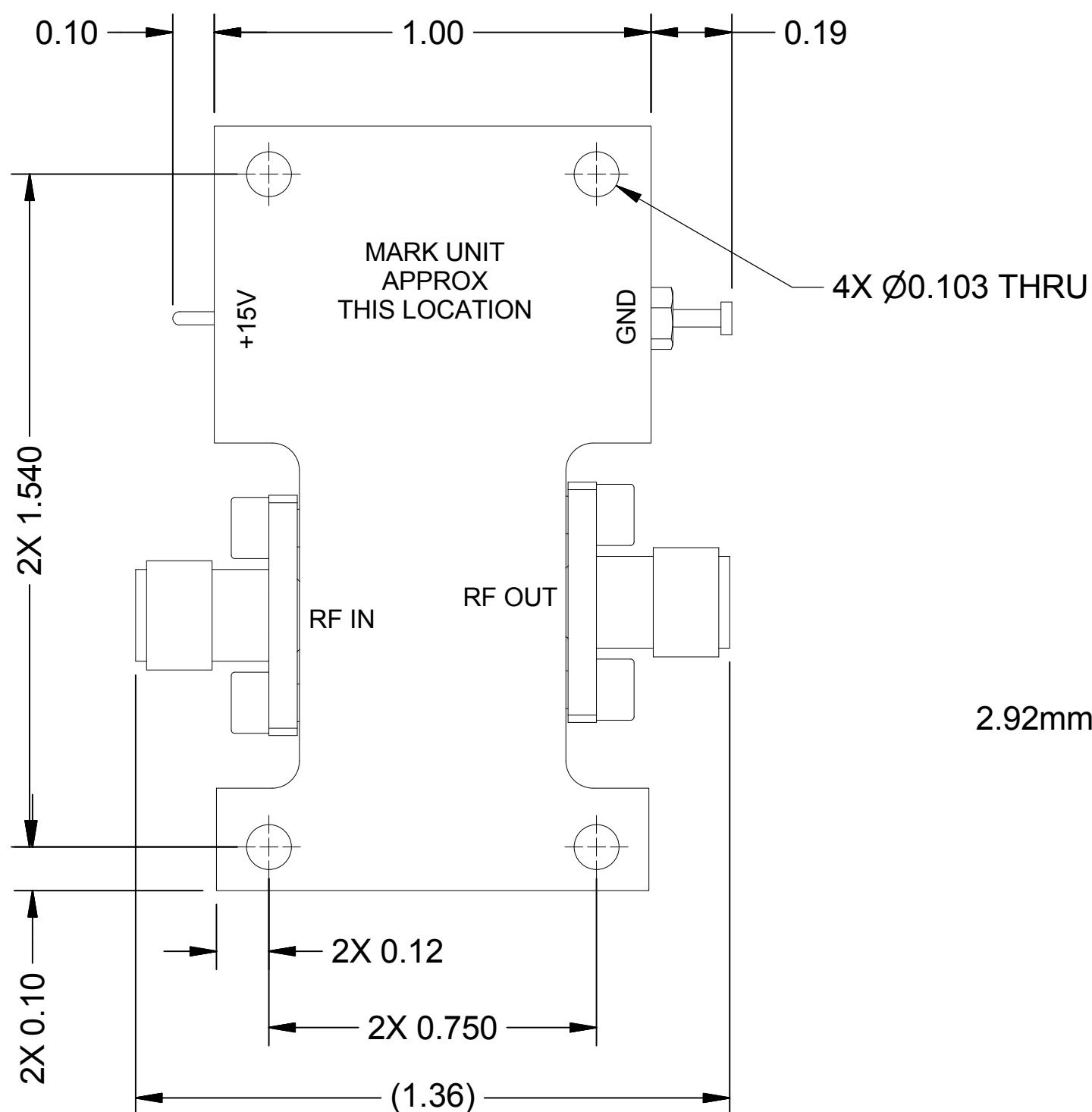
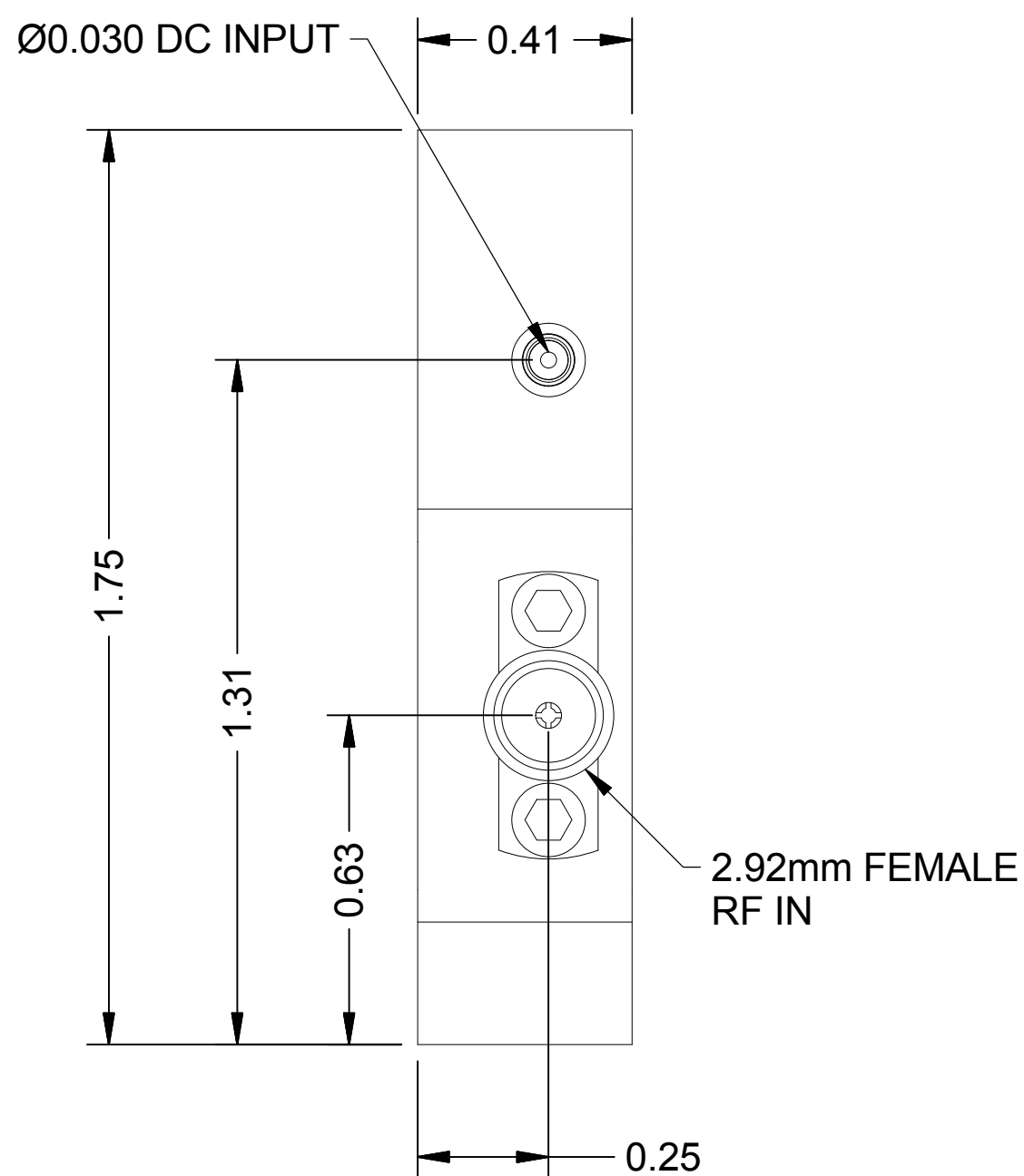
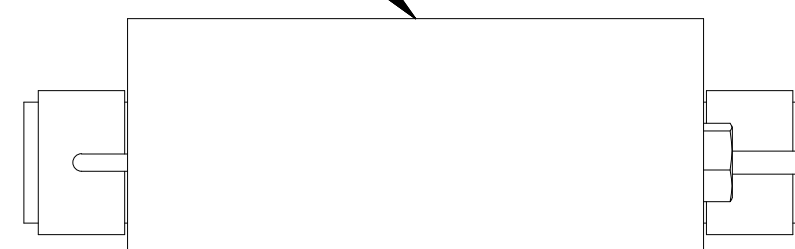


THIS DOCUMENT CONTAINS INFORMATION PROPRIETARY TO DELTA MICROWAVE. ANY REPRODUCTION OF THIS DOCUMENT WITHOUT WRITTEN PERMISSION IS EXPRESSLY PROHIBITED

REVISION HISTORY				
REV	DESCRIPTION	DATE	CHK	APPVD
A	INITIAL RELEASE	07/23/14	DM	AW
B	ECO #110292	12/01/14		


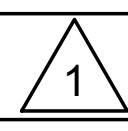
MOUNTING SURFACE TO BE FREE OF PAINT



2. MARKING: USING LABEL OR BLACK EPOXY INK TO INCLUDE: DELTA MICROWAVE, MODEL NO., SERIAL NO., CODE IDENT. NO. 51719 AND DATE CODE.

1. FINISH: HAZE GRAY EPOXY POLYAMIDE TOPCOAT PER MIL-DTL-24441C, SUP.1 MIL-DTL-24441/21, TYP 3, FORMULA 151 USING GREEN EPOXY POLYAMIDE PRIMER MIL-DTL-24441/20, TYP 3, FORMULA 150

NOTES:

UNLESS OTHERWISE SPECIFIED DIMENSIONS ARE IN INCHES TOLERANCES ARE: FRACTIONS DECIMALS ANGLES + .005 - .010 + 5°		CONTRACT NO. MB		 Delta Microwave Inc. 300 Del Norte Boulevard Oxnard CA 93030	
MATERIAL		APPROVALS	DATE		
FINISH		DRAWN	C. DE HORTA	07/23/14	TITLE Ka BAND, 2 STAGE OUTLINE
 DO NOT SCALE DRAWING		CHECKED	D.MOORE	7/31/2014	
		APPROVED	A.WONG	8/15/2014	
USED ON MODEL#		REVISED	C.DE HORTA	12/01/14	SIZE C
		INTERPRET DRAWING PER ASME Y14.5-2009		CODE IDENT NO. 51719	DWG NO 001-0079
				SCALE 3 : 1	SHEET 1 OF 1