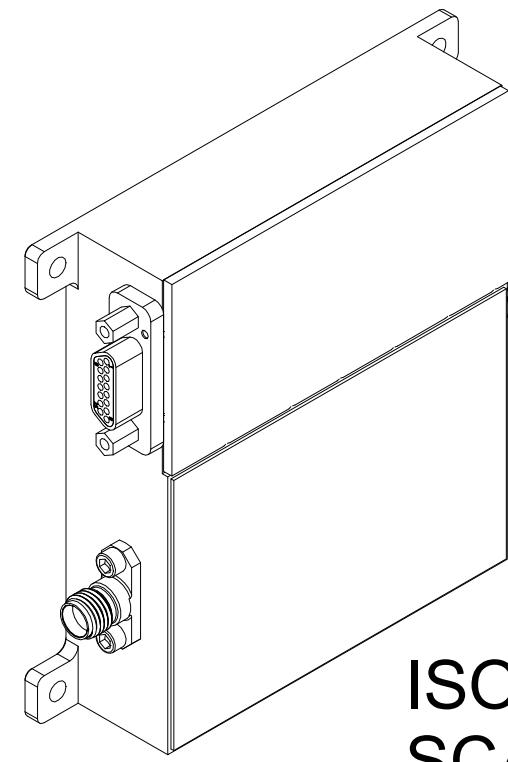


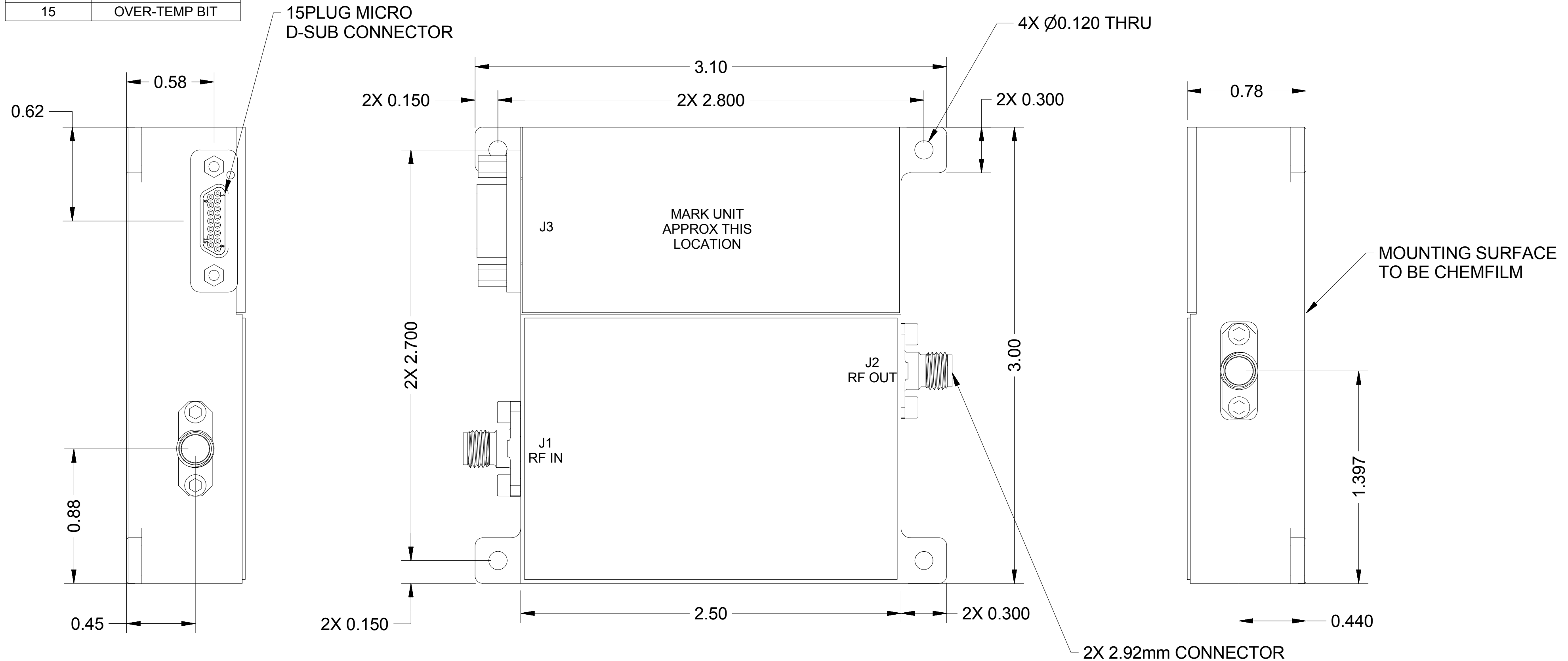
THIS DOCUMENT CONTAINS INFORMATION PROPRIETARY TO DELTA MICROWAVE. ANY REPRODUCTION OF THIS DOCUMENT WITHOUT WRITTEN PERMISSION IS EXPRESSLY PROHIBITED

REVISION HISTORY				
REV	DESCRIPTION	DATE	CHK	APPVD
A	INITIAL RELEASE	05/10/14	D.M.	J.K.
B	ECO #110170	08/19/14		

J3 CONNECTOR PIN OUT	
PIN #	DESCRIPTION
1	+20V
2	+20V
3	GND
4	GND
5	N/C
6	N/C
7	OVER- CURRENT BIT
8	BLANKING TTL
9	+20V
10	+20V
11	GND
12	GND
13	N/C
14	N/C
15	OVER-TEMP BIT



ISO VIEW
SCALE 1 : 1




2. MARKING: USING LABEL OR BLACK EPOXY INK TO INCLUDE:
DELTA MICROWAVE, MODEL NO., SERIAL NO.,
CODE IDENT. NO. 51719 AND DATE CODE

1. FINISH: HOUSING TO BE SILVER PLATED PER SCD10030, BOTTOM TO BE CHEMFILM
REMAINING SURFACES TO BE HAZE GRAY EPOXY POLYAMIDE
TOPCOAT PER MIL-DTL-24441C, SUP.1
MIL-DTL-24441/21, TYP 3, FORMULA 151
USING GREEN EPOXY POLYAMIDE PRIMER
MIL-DTL-24441/20, TYP 3, FORMULA 150

NOTES:

UNLESS OTHERWISE SPECIFIED DIMENSIONS ARE IN INCHES TOLERANCES ARE:		
FRACTIONS	DECIMALS	ANGLES
+	.xx ± .03	+ .5°
-	.xxx ± .010	
MATERIAL		
FINISH		
USED ON MODEL#	DO NOT SCALE DRAWING	

CONTRACT NO. Ka	
APPROVALS	DATE
DRAWN C. DE HORTA	05/10/14
CHECKED D. MOORE	05/13/14
APPROVED J. KITT	05/13/14
REVISED C. DE HORTA	08/19/14
INTERPRET DRAWING PER ASME Y14.100 and ASME Y14.5	

 Delta Microwave Inc. 300 Del Norte Boulevard Oxnard CA 93030		
TITLE DM-HPKA-10-102 OUTLINE		
SIZE C	CODE IDENT NO. 51719	DWG NO 001-0086
SCALE 2 : 1		
SHEET 1 OF 1		