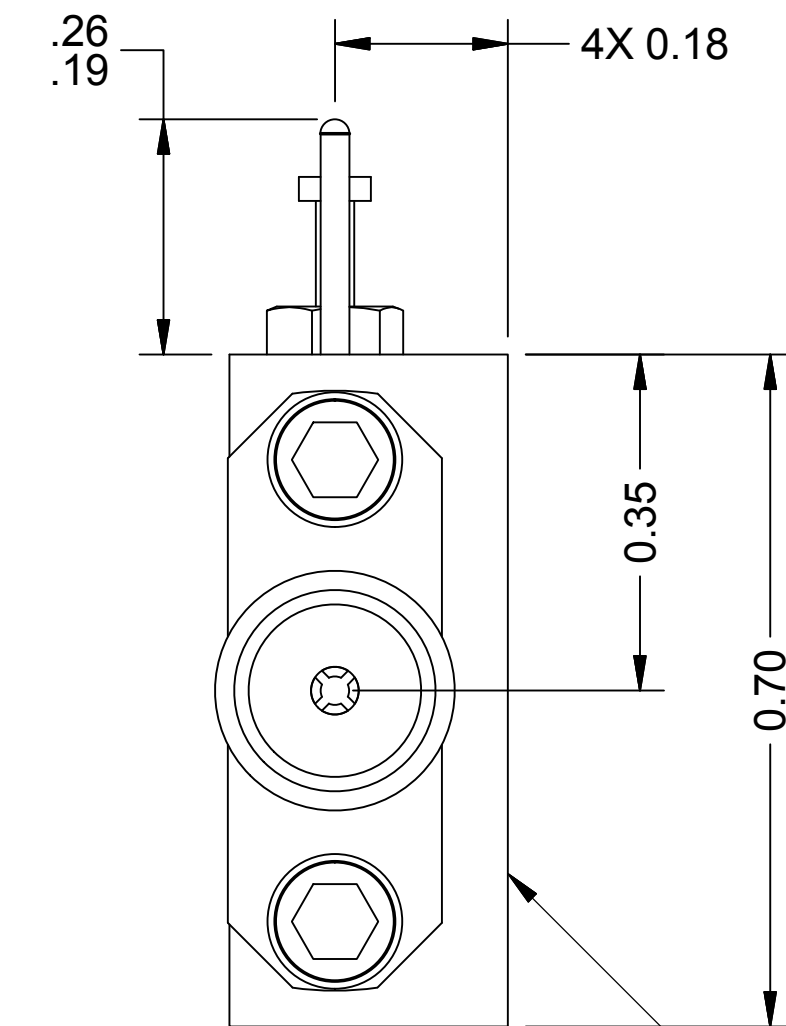
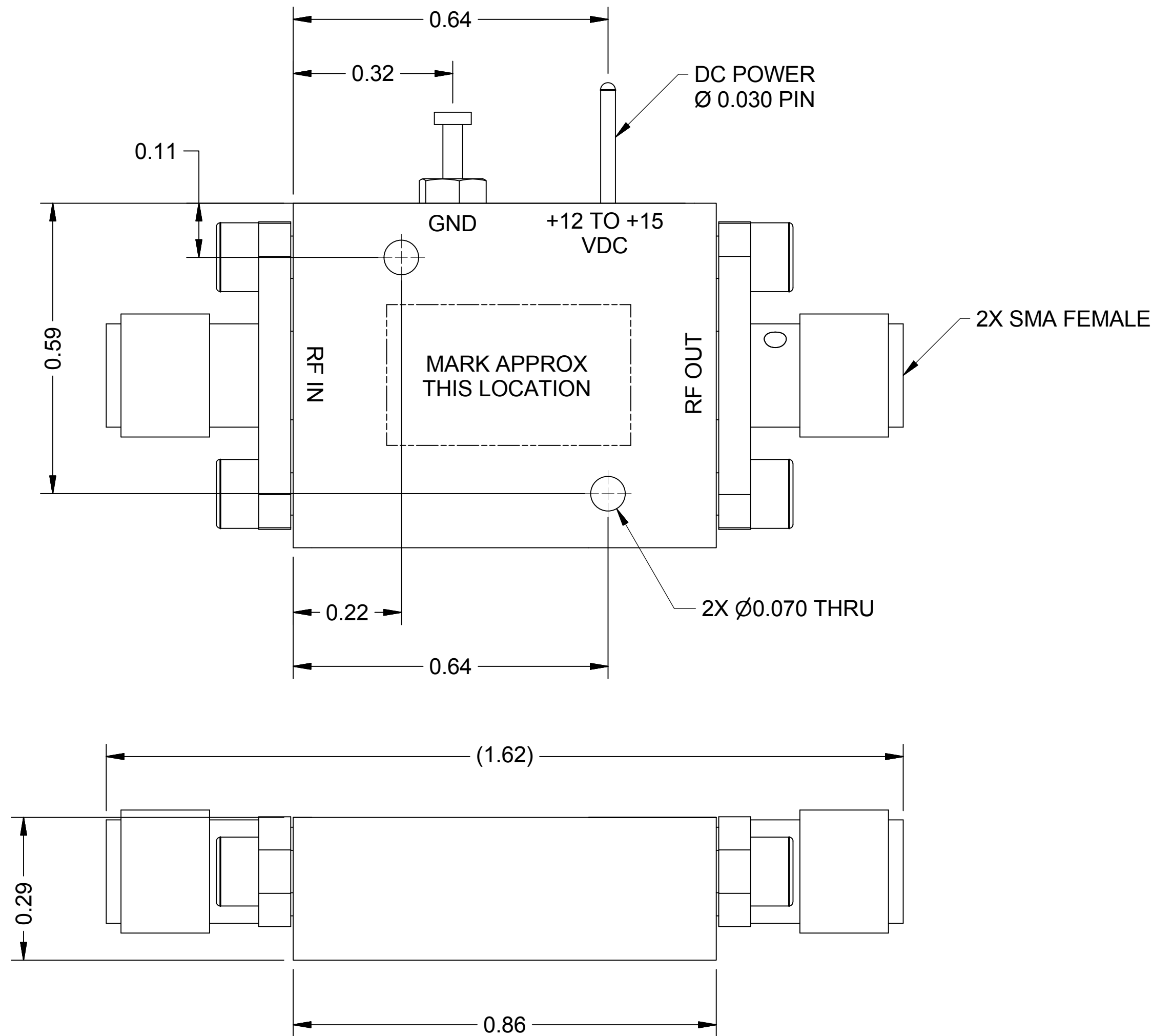


THIS DOCUMENT CONTAINS INFORMATION PROPRIETARY TO DELTA MICROWAVE. ANY REPRODUCTION OF THIS DOCUMENT WITHOUT WRITTEN PERMISSION IS EXPRESSLY PROHIBITED

REVISION HISTORY				
REV	DESCRIPTION	DATE	CHK	APPVD
A	INITIAL RELEASE	01/12/15		



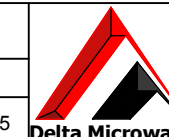
MOUNTING SURFACE TO REMAIN FREE OF PAINT GOLD PLATE PER SCD10018

2. MARKING: USING LABEL OR BLACK EPOXY INK TO INCLUDE:
 DELTA MICROWAVE, MODEL NO., SERIAL NO.,
 CODE IDENT. NO. 51719 AND DATE CODE

1. FINISH: HAZE GRAY EPOXY POLYAMIDE TOPCOAT
 PER MIL-DTL-24441C, SUP. 1
 MIL-DTL-24441/21, TYP 3, FORMULA 151
 USING GREEN EPOXY POLYAMIDE PRIMER
 MIL-DTL-24441/20, TYP 3, FORMULA 150

NOTES:

UNLESS OTHERWISE SPECIFIED DIMENSIONS ARE IN INCHES TOLERANCES ARE: FRACTIONS DECIMALS ANGLES + .xx ± .03 + .1° - .xxx ± .010 - .1°		CONTRACT NO. DM-LNC-30-101		APPROVALS		DATE	
MATERIAL		DRAWN C.DE HORTA		01/12/15		TITLE DM-LNC-30-101 OUTLINE	
FINISH		CHECKED		APPROVED		REVIS	
USED ON MODEL#		DO NOT SCALE DRAWING		INTERPRET DRAWING PER ASME Y14.5-2009		SCALE 5:1	
C		SIZE		CODE IDENT NO.		DWG NO	
51719		C		51719		001-0127	
001-0010 DM-LNC-25-101 OUTLINE ASSY.iam		SHEET 1 OF 1					



Delta Microwave Inc.
 300 Del Norte Boulevard Oxnard CA 93030