

4

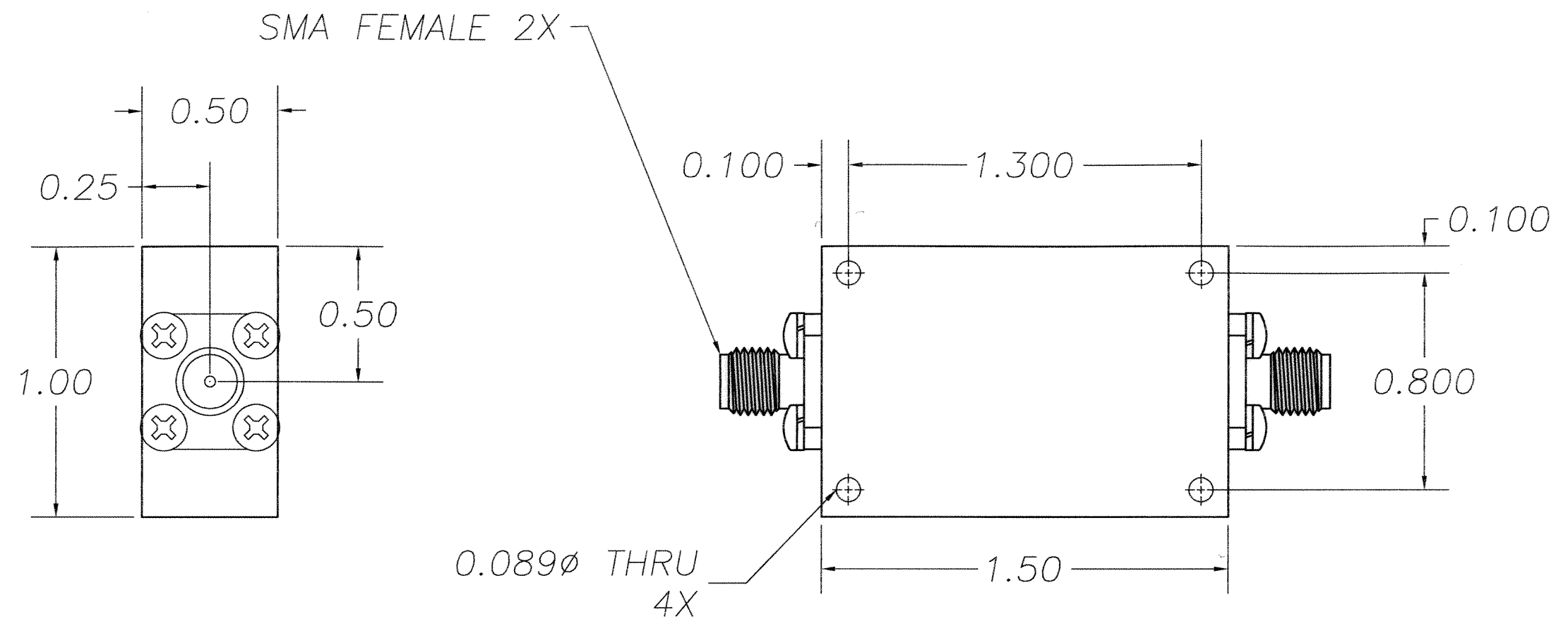
3

2

1

THIS DOCUMENT CONTAINS INFORMATION PROPRIETARY TO DELTA MICROWAVE. ANY REPRODUCTION OF THIS DOCUMENT WITHOUT WRIT- TEN PERMISSION IS EXPRESSLY PROHIBITED.

REVISIONS				
ZONE	REV	DESCRIPTION	DATE	APPROVED
	A	RELEASED	03/13/00	



2. MARKING: USING BLACK WARNOW INK TO INCLUDE:
 DELTA MICROWAVE, MODEL NO., SERIAL NO.,
 CODE IDENT. NO. 51719 AND DATE CODE
- 1: FINISH: HAZE GRAY EPOXY POLYAMIDE TOPCOAT
 PER MIL-P-24441B TYP.1
 (AS)COLOR NO.26270, FORMULA 151
 PER MIL-P-24441/1C, QPL 24441-103
 USING EPOXY POLYAMIDE PRIMER
 PER MIL-P-24441B TYP.1 24272 GREEN
 FORMULA 150 PER MIL-P-24441/1C, QPL 24441-103

NOTES:

QTY REQD	CODE IDENT	PART OR IDENTIFYING NO.	NOMENCLATURE OR DESCRIPTION	MATERIAL SPECIFICATION
PARTS LIST				
UNLESS OTHERWISE SPECIFIED DIMENSIONS ARE IN INCHES TOLERANCES ARE: FRACTIONS DECIMALS ANGLES + .XX ± .03 ± - .XXX ± .010 ±		CONTRACT NO. C1322	DELTA microwave 1301 VANGUARD DR. OXNARD CALIFORNIA 93033	
MATERIAL		APPROVALS DRAWN D.R.BOWLER	DATE 03/13/00	TITLE OUTLINE
FINISH		CHECKED <i>[Signature]</i>	APPROVED <i>[Signature]</i>	SIZE B
DO NOT SCALE DRAWING				CODE IDENT NO. 51719
				DRAWING NO. C1322
				SCALE 2/1
				SHEET 1 OF 1

4

3

2

1