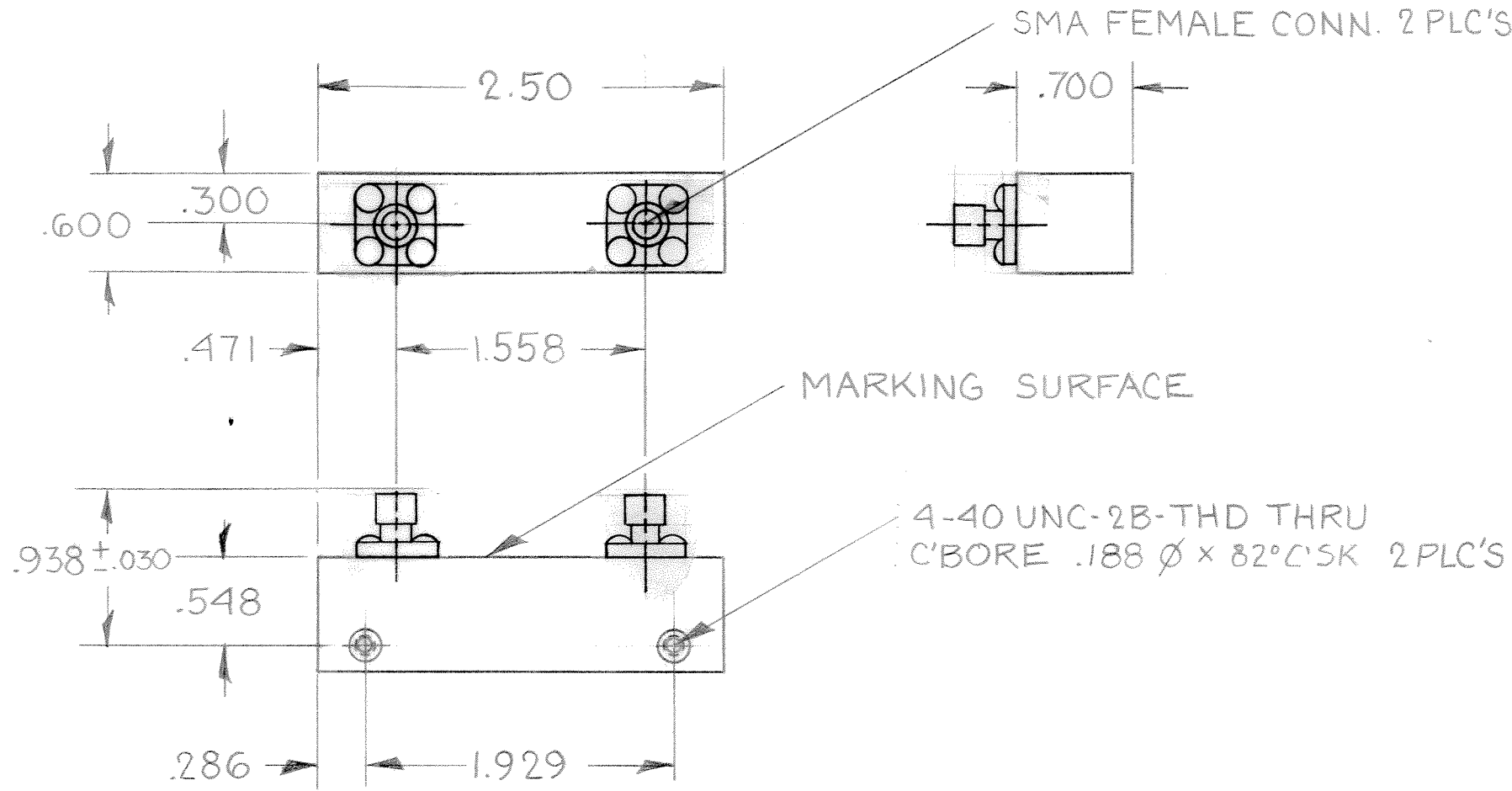


THIS DOCUMENT CONTAINS INFORMATION PROPRIETARY TO DELTA MICROWAVE. ANY REPRODUCTION OF THIS DOCUMENT WITHOUT WRITTEN PERMISSION IS EXPRESSLY PROHIBITED.

REVISIONS				
ZONE	LTR	DESCRIPTION	DATE	APPROVED
	A	RELEASED	5-18-84	<i>RJR</i>
	B	E.C.O.# 101623	2-14-85	<i>RJR</i>
	C	E.C.O.# 101652	3-1-85	<i>M</i>



2. **MARKING:** Units shall be marked with MFR's trademark or logo, frequency range, serial number, CMI FSCM No. (30890) and CMI part No. 42-401104 -01 or -02 J1 Input and J2 Output. Marking location shall be shown on Figure 1.
1. **FINISH:** GREY POLYURETHANE COATING PER MIL-C-81773 (AS) COLOR NO. 16440, PER FED STD 595 USING EPOXY PRIMER MIL-P-23377C.

NOTES:

QTY REQD	CODE IDENT	PART OR IDENTIFYING NO.	NOMENCLATURE OR DESCRIPTION	MATERIAL SPECIFICATION
PARTS LIST				
UNLESS OTHERWISE SPECIFIED DIMENSIONS ARE IN INCHES TOLERANCES ARE: FRACTIONS DECIMALS ANGLES ± N/A .XX ± .03 ± N/A .XXX ± .010		CONTRACT NO.	DELTA MICROWAVE 840 VIA ALONDRA CAMARILLO, CALIFORNIA 93010	
MATERIAL		APPROVALS <i>J. Alvey</i>	DATE 2-14-85	BANDPASS FILTER
FINISH ▲		CHECKED <i>RJR</i>	DATE 2-6-85	
DO NOT SCALE DRAWING		SIZE B	CODE IDENT NO. 51719	DRAWING NO. C1521
		SCALE FULL	SHEET	OF