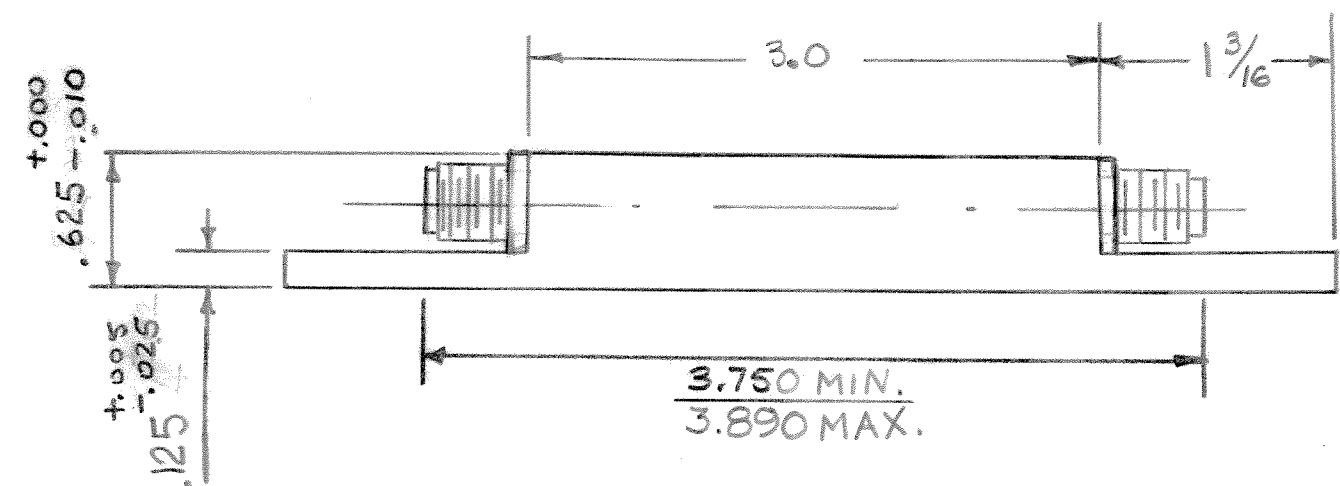
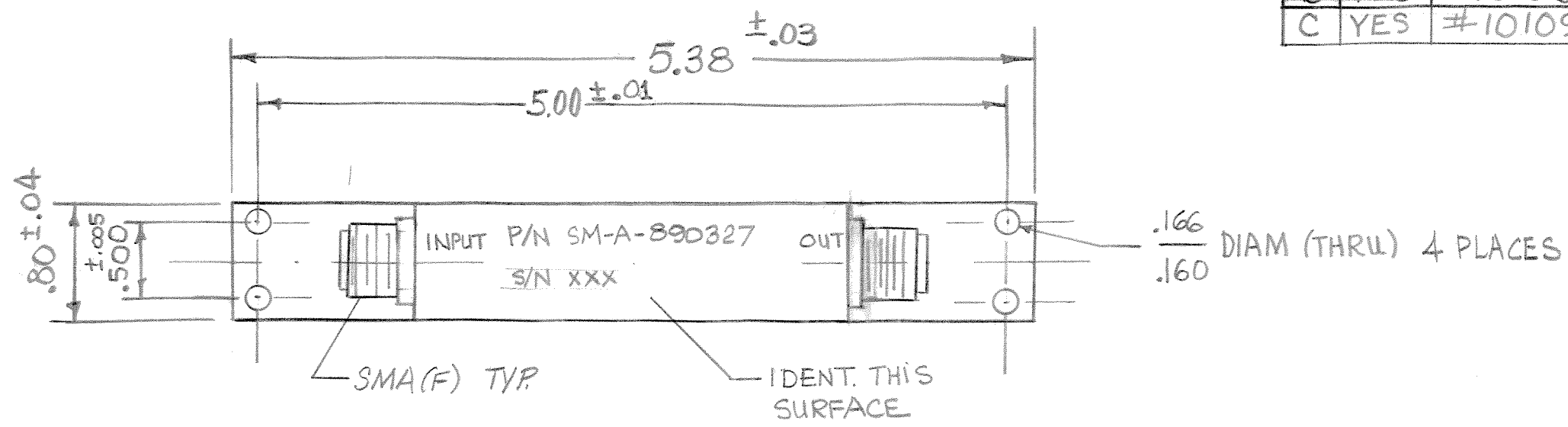


THIS DOCUMENT CONTAINS INFORMATION PROPRIETARY TO DELTA MICROWAVE. ANY REPRODUCTION OF THIS DOCUMENT WITHOUT WRITTEN PERMISSION IS EXPRESSLY PROHIBITED.

REVISION				
LTR	ECO	DESCRIPTION	DATE	APPROVED
B	YES	#101039	6/24/83	<i>[Signature]</i>
C	YES	#101097		<i>[Signature]</i>



- SPECIFICATIONS:
- FREQ: 7.25 - 7.75 GHz
 - REJ(25dB): 6.5-7.0 & 7.9-8.4 GHz
 - I.L.: 1.25 dB (max)
 - VSWR: 1.22 (max)
 - OPER. TEMP: 75° ± 5°C
 - PHASE LINEARITY: ±1° max/30MHz
 - GROUP DELAY: 0.5 nanosec Pk-Pk (max)/14MHz

NOTES:

- MAT'L: ALUMINUM 6061-T4
- FINISH: MIL-C-22750 COLOR 26307 OVER MIL-P-23377 PRIMER

(40827)

DIM. ARE IN INCHES
 FRACT. ±1/32 ANG ±0°30'
 TOL .XX ±.01 .XXX ±.005
 DO NOT SCALE DRAWING

CONTR. NO.	DELTA MICROWAVE		
DR. <i>MZE 12/5/76</i>	31829 W. LA TIENDA		
CHK.	WESTLAKE VILLAGE, CALIFORNIA 91361		
DSGN.	FILTER, BANDPASS (7.25-7.75)		
APPD. <i>[Signature]</i>	SIZE	CODE IDENT. NO.	
APPD. <i>MKE 1/21/77</i>	B	51719	C1708409
APPD.	SCALE = NONE	WEIGHT	SHEET