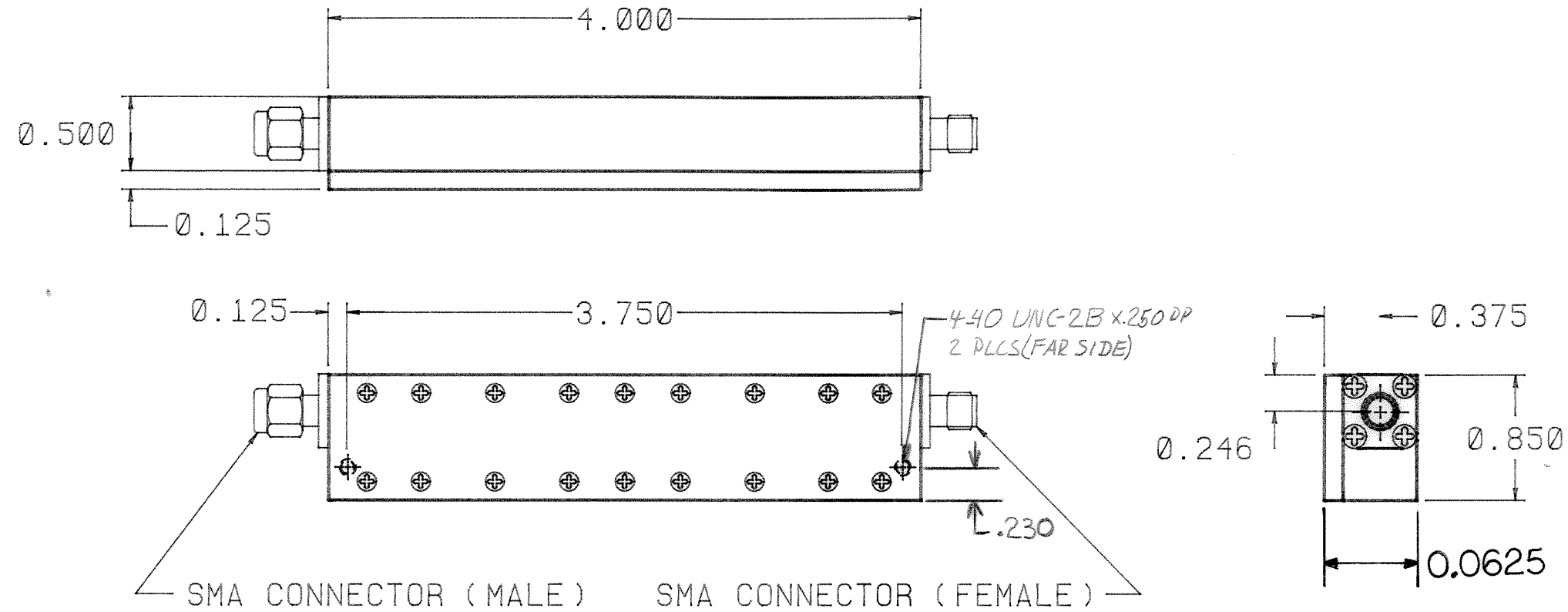


THIS DOCUMENT CONTAINS INFORMATION PROPRIETARY TO DELTA MICROWAVE. ANY REPRODUCTION OF THIS DOCUMENT WITHOUT WRITTEN PERMISSION IS EXPRESSLY PROHIBITED.

REVISIONS				
ZONE	LTR	DESCRIPTION	DATE	APPROVED
	A	RELEASED		<i>[Signature]</i>



SPECIFICATIONS

PASSBAND 2900 TO 5200 MHz
 LOSS 1.0 dB
 VSWR 1.5:1
 POWER 1 WATT, CW
 REJECTION 30dB <2500MHz & 6000 MHz-12000

NOTES:

QTY REQD	CODE IDENT	PART OR IDENTIFYING NO.	NOMENCLATURE OR DESCRIPTION	MATERIAL SPECIFICATION
PARTS LIST				
UNLESS OTHERWISE SPECIFIED DIMENSIONS ARE IN INCHES TOLERANCES ARE: FRACTIONS DECIMALS ANGLES ± .XX ± .01 ± .XXX ± .005 ±		CONTRACT NO. C1955	DELTA MICROWAVE 840 VIA ALONDRA CAMARILLO CALIFORNIA 93010	
MATERIAL ALUMINUM ALLOY 6061-T6 QQ-A-250/11		APPROVALS	DATE 7/14/94	TITLE OUTLINE BANDPASS FILTER
FINISH CHEM FILM PER MILL-C-5541		DRAWN D.F. ESTABROOK	CHECKED <i>[Signature]</i> 7/14/94	SIZE B
DO NOT SCALE DRAWING		CODE IDENT NO. 51719		DRAWING NO. C1955
SCALE 1:1			SHEET 1 OF 1	