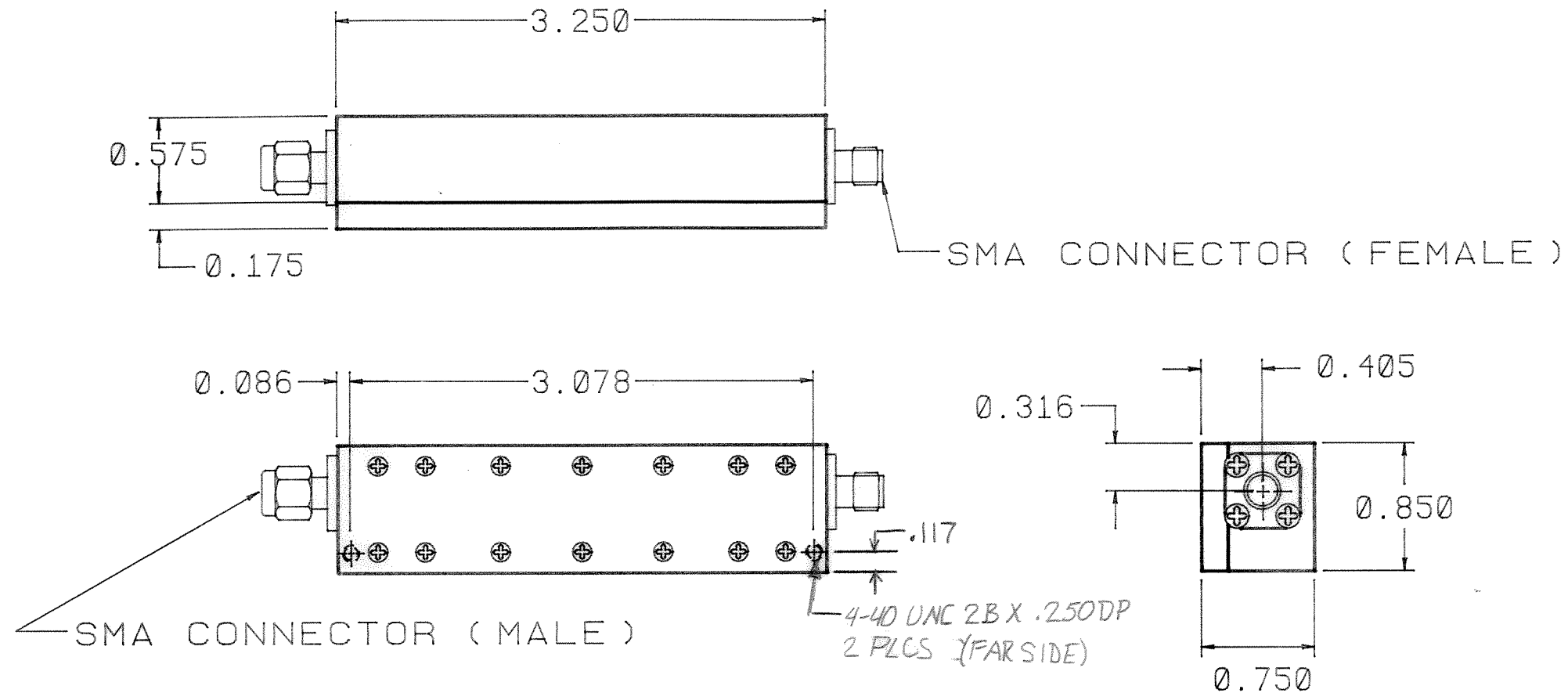


THIS DOCUMENT CONTAINS INFORMATION PROPRIETARY TO DELTA MICROWAVE. ANY REPRODUCTION OF THIS DOCUMENT WITHOUT WRITTEN PERMISSION IS EXPRESSLY PROHIBITED.

REVISIONS				
ZONE	LTR	DESCRIPTION	DATE	APPROVED
	A	RELEASED	7/8/94	<i>[Signature]</i>



SPECIFICATIONS

PASSBAND 4900 TO 8200 MHZ
 LOSS 1.0 dB
 VSWR 1.5:1
 POWER 1 WATT, CW
 REJECTION 30dB <4200MHZ & 9000 MHZ-20000

NOTES:

QTY REQD	CODE IDENT	PART OR IDENTIFYING NO.	NOMENCLATURE OR DESCRIPTION	MATERIAL SPECIFICATION
PARTS LIST				
UNLESS OTHERWISE SPECIFIED DIMENSIONS ARE IN INCHES TOLERANCES ARE: FRACTIONS DECIMALS ANGLES + .XX ± .01 ± - .XXX ± .005 ±		CONTRACT NO. C1956	DELTA MICROWAVE 840 VIA ALONDRA CAMARILLO CALIFORNIA 93010	
MATERIAL ALUMINUM ALLOY 6061-T6 QQ-A-250/11		APPROVALS DRAWN D.F. ESTABROOK	DATE 7/14/94	TITLE OUTLINE BAND PASS FILTER
FINISH CHEM FILM MILL-C-5541		CHECKED <i>[Signature]</i>	DATE 7-18-94	SIZE B
DO NOT SCALE DRAWING		CODE IDENT NO. 51719		DRAWING NO. C1956
			SCALE 1:1	SHEET 1 OF 1