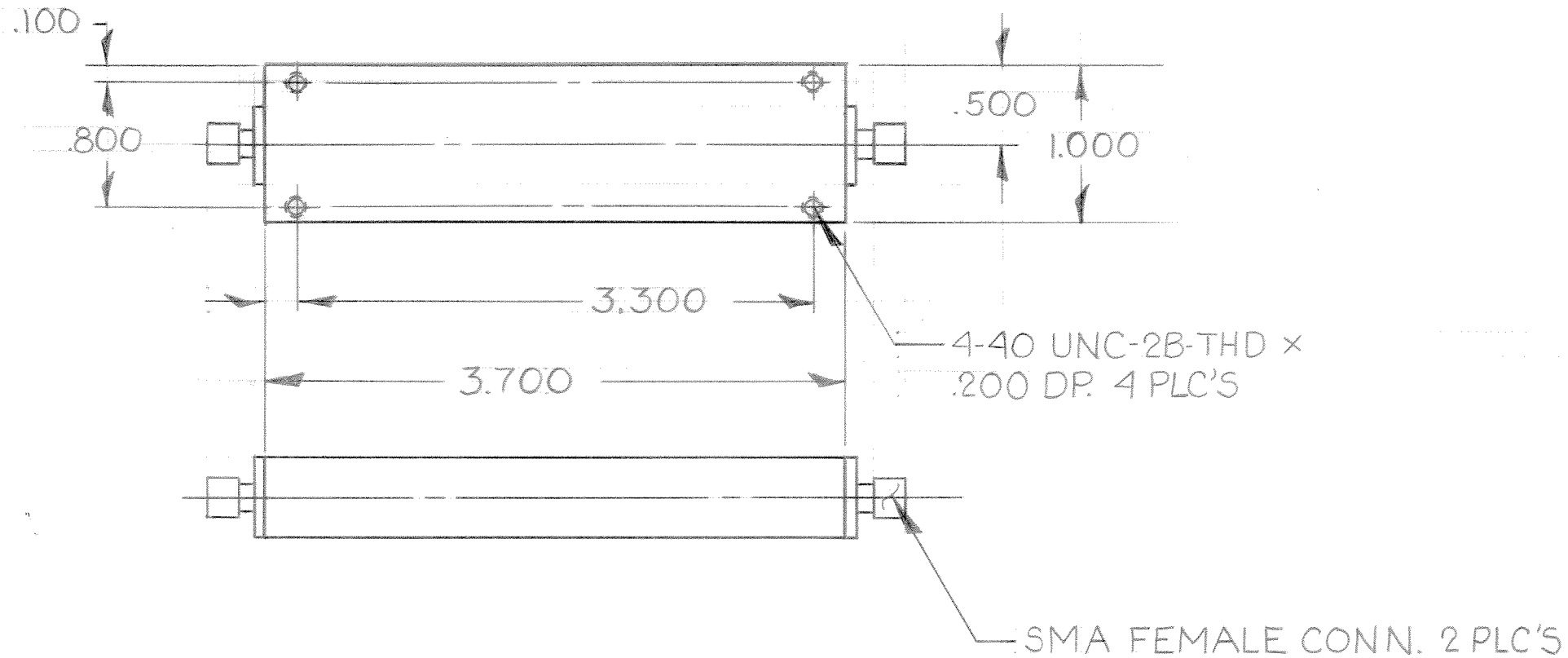


THIS DOCUMENT CONTAINS INFORMATION PROPRIETARY TO DELTA MICROWAVE. ANY REPRODUCTION OF THIS DOCUMENT WITHOUT WRITTEN PERMISSION IS EXPRESSLY PROHIBITED.

REVISIONS				
ZONE	LTR	DESCRIPTION	DATE	APPROVED
	A	RELEASED	12-16-83	<i>[Signature]</i>



2. MARKING: USING BLACK WORNOW INK, TO INCLUDE DELTA MICROWAVE, MODEL NO. C2801 SERIAL NO., CODE INDET NO. 51719 AND DATE CODE
1. FINISH: GREY POLYURETHANE COATING PER MIL-C-81773 (AS) COLOR NO. 16440, PER FED STD 595 USING EPOXY PRIMER MIL-P-23377C

NOTES

QTY REQD	CODE IDENT	PART OR IDENTIFYING NO.	NOMENCLATURE OR DESCRIPTION	MATERIAL SPECIFICATION										
PARTS LIST														
UNLESS OTHERWISE SPECIFIED DIMENSIONS ARE IN INCHES TOLERANCES ARE: FRACTIONS DECIMALS ANGLES $\pm 1/64$.XX $\pm .01$ $\pm 1/2^\circ$.XXX $\pm .005$			<table border="1"> <tr> <td colspan="2">CONTRACT NO.</td> <td colspan="2" rowspan="4" style="text-align: center;"> DELTA MICROWAVE <small>840 VIA ALONDRA CAMARILLO, CALIFORNIA 93010</small> </td> </tr> <tr> <td>APPROVALS</td> <td>DATE</td> </tr> <tr> <td>DRAWN <i>J. Alvey</i></td> <td>12-16-83</td> </tr> <tr> <td>CHECKED <i>[Signature]</i></td> <td>12-16-83</td> </tr> </table>		CONTRACT NO.		DELTA MICROWAVE <small>840 VIA ALONDRA CAMARILLO, CALIFORNIA 93010</small>		APPROVALS	DATE	DRAWN <i>J. Alvey</i>	12-16-83	CHECKED <i>[Signature]</i>	12-16-83
CONTRACT NO.		DELTA MICROWAVE <small>840 VIA ALONDRA CAMARILLO, CALIFORNIA 93010</small>												
APPROVALS	DATE													
DRAWN <i>J. Alvey</i>	12-16-83													
CHECKED <i>[Signature]</i>	12-16-83													
MATERIAL			BANDREJECT FILTER OUTLINE											
FINISH NOTE 1.														
DO NOT SCALE DRAWING			<table border="1"> <tr> <td>SIZE</td> <td>CODE IDENT NO.</td> <td>DRAWING NO.</td> </tr> <tr> <td>B</td> <td>51719</td> <td>C2801</td> </tr> </table>	SIZE	CODE IDENT NO.	DRAWING NO.	B	51719	C2801					
SIZE	CODE IDENT NO.	DRAWING NO.												
B	51719	C2801												
			SCALE	SHEET OF										