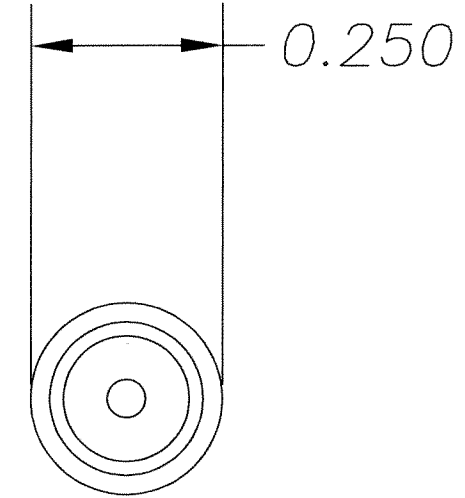
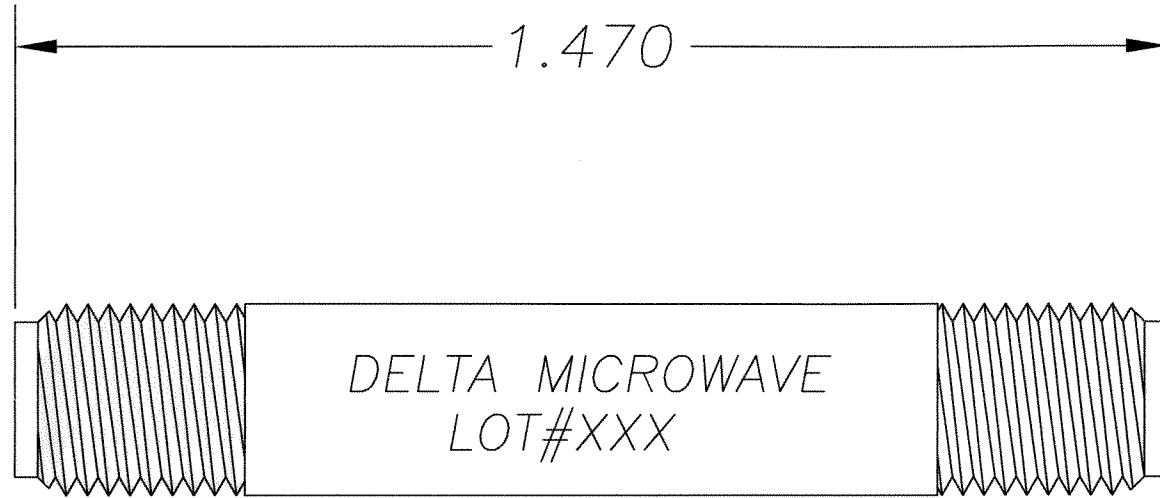


THIS DOCUMENT CONTAINS INFORMATION PROPRIETARY TO DELTA MICROWAVE. ANY REPRODUCTION OF THIS DOCUMENT WITHOUT WRITTEN PERMISSION IS EXPRESSLY PROHIBITED.

REVISIONS				
ZONE	REV	DESCRIPTION	DATE	APPROVED
	A	RELEASED	05/06/98	



QTY REQD	CODE IDENT	PART OR IDENTIFYING NO.	NOMENCLATURE OR DESCRIPTION	MATERIAL SPECIFICATION
PARTS LIST				
UNLESS OTHERWISE SPECIFIED DIMENSIONS ARE IN INCHES TOLERANCES ARE: FRACTIONS    DECIMALS    ANGLES +                    .XX ±.01    + -                    .XXX ±.005    -		CONTRACT NO. C3705	DELTA MICROWAVE 1301 VANGUARD DR. OXNARD CALIFORNIA 93033	
		APPROVALS	DATE	TITLE
MATERIAL		DRAWN D.F. ESTABROOK	05/06/98	OUTLINE
		CHECKED 	05/06/98	
FINISH		APPROVED 	05/06/98	SIZE B
DO NOT SCALE DRAWING				CODE IDENT NO. 51719
				DRAWING NO. C3705
				SCALE 4/1
				SHEET 1 OF 1

1. PASSIVATE  
NOTES: