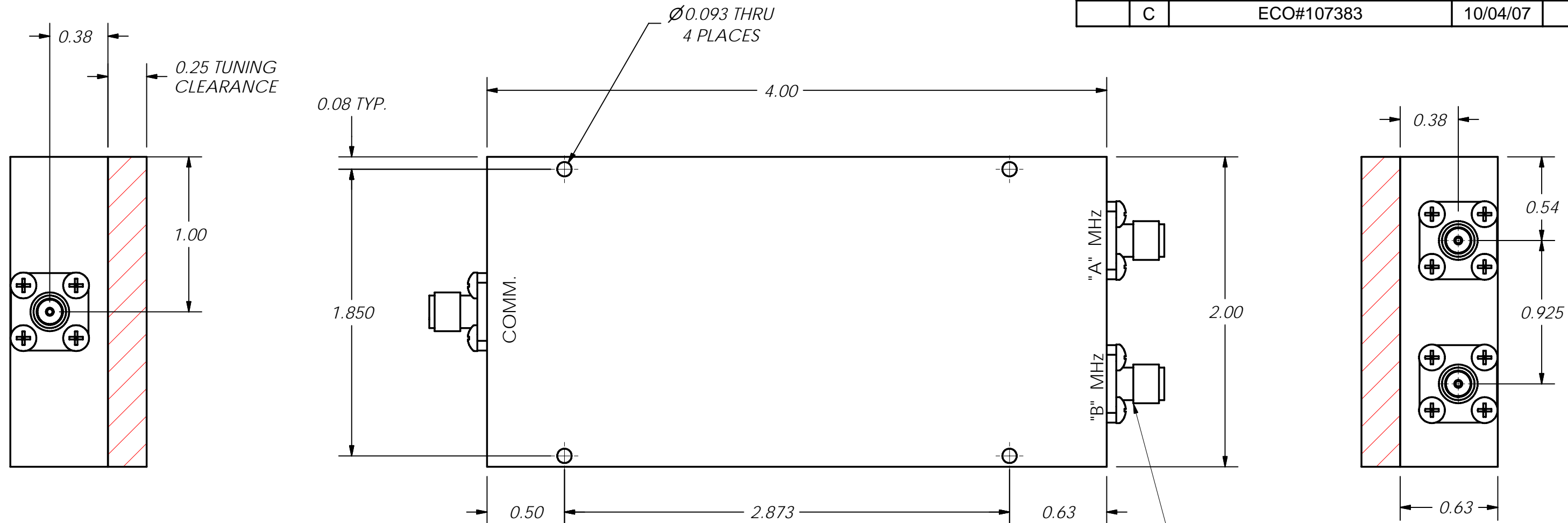


THIS DOCUMENT CONTAINS INFORMATION PROPRIETARY TO DELTA MICROWAVE. ANY REPRODUCTION WITHOUT WRITTEN PERMISSION IS EXPRESSLY PROHIBITED.

| ZONE | REV | DESCRIPTION | DATE | APPROVED |
|------|-----|---------------|----------|----------|
| | A | FIRST RELEASE | 04/18/07 | D.R.B. |
| | B | ECO#107257 | 05/31/07 | D.R.B. |
| | C | ECO#107383 | 10/04/07 | |



FREQUENCY

| | "A" | "B" |
|----|------------|------------|
| -1 | 5987.5 MHz | 6237.5 MHz |
| -2 | 6112.5 MHz | 6362.5 MHz |

SMA FEMALE CONNECTOR
3 PLACES

2. MARKING: USING LABEL OR BLACK WORNOW INK TO INCLUDE:
DELTA MICROWAVE, MODEL NO., SERIAL NO.,
CODE IDENT. NO. 51719 AND DATE CODE

1: FINISH: HAZE GRAY EPOXY POLYAMIDE TOPCOAT
PER MIL-DTL-24441C, SUP.1
MIL-DTL-24441/21, TYP 3, FORMULA 151
USING GREEN EPOXY POLYAMIDE PRIMER
MIL-DTL-24441/20, TYP 3, FORMULA 150

NOTES:

| | | | | |
|--|--|----------|---------------------------|--|
| UNLESS OTHERWISE SPECIFIED DIMENSIONS ARE IN INCHES TOLERANCES ARE: FRACTIONS DECIMALS ANGLES + .xx ± .03 + - .xxx ± .010 - | | | CONTRACT NO. C5714-[] | |
| APPROVALS | | DATE | | |
| DRAWN J.A. DE HORTA | | 04/18/07 | | |
| MATERIAL | | REVISED | | |
| FINISH | | CHECKED | | |
| USED ON MODEL# | | APPROVED | | |
| DO NOT SCALE DRAWING | | TITLE | | |

Delta Microwave Inc.
1301 VANGUARD DRIVE OXNARD, CA 93033

C5714-[] OUTLINE

| | | |
|-------------|----------------|-----------|
| SIZE | CODE IDENT NO. | DWG NO |
| B | 51719 | C5714-[] |
| SCALE 1.5:1 | SHEET 1 OF 1 | |