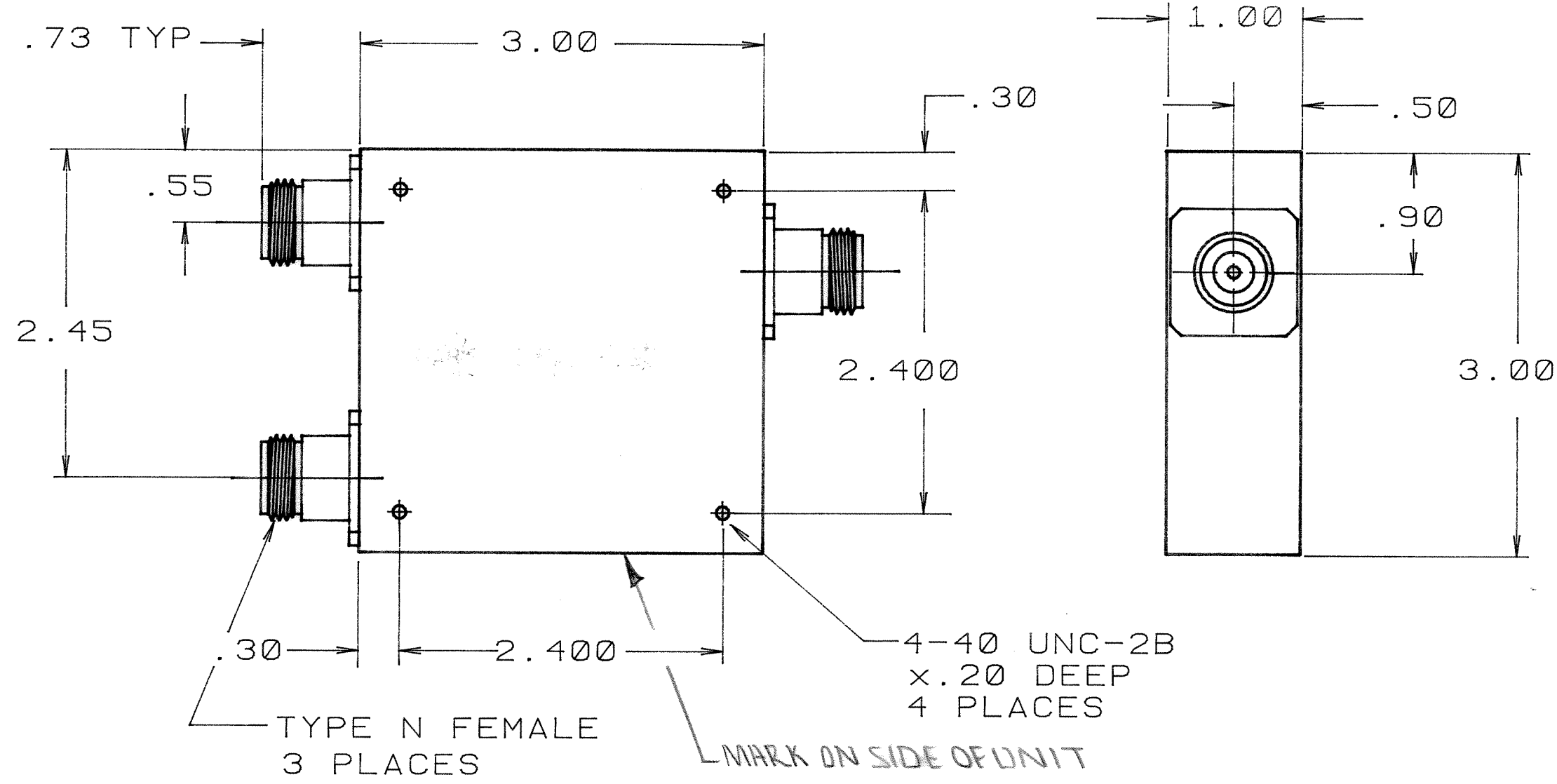


THIS DOCUMENT CONTAINS INFORMATION PROPRIETARY TO DELTA MICROWAVE. ANY REPRODUCTION OF THIS DOCUMENT WITHOUT WRITTEN PERMISSION IS EXPRESSLY PROHIBITED.

REVISIONS				
ZONE	LTR	DESCRIPTION	DATE	APPROVED
	A	RELEASED	10/12/90	<i>[Signature]</i>
	B	ECO# 105163	12/09/00	<i>[Signature]</i>



2. MARKING: USING BLACK WORNOW INK, TO INCLUDE:  
 DELTA MICROWAVE, MODEL NO., SERIAL NO.,  
 CODE IDENT. NO. 51719 AND DATE CODE.

1. FINISH: HAZE GRAY EPOXY POLYAMIDE TOP COAT  
 PER MIL-P-24441B TYP. 1  
 (AS) COLOR NO. 26270, FORMULA 151  
 PER MIL-P-24441/C, QPL 24441-103  
 USING EPOXY POLYAMIDE PRIMER  
 PER MIL-P-24441B TYP. 1 24272 GREEN  
 FORMULA 150 PER MIL-P-24441/C, QPL 24441-103

NOTES:

QTY REQD	CODE IDENT	PART OR IDENTIFYING NO.	NOMENCLATURE OR DESCRIPTION	MATERIAL SPECIFICATION
PARTS LIST				
UNLESS OTHERWISE SPECIFIED DIMENSIONS ARE IN INCHES TOLERANCES ARE: FRACTIONS DECIMALS ANGLES ± .XX ± .01 ± .XXX ± .005		CONTRACT NO. C5914	DELTA MICROWAVE 840 VIA ALONDRA CAMARILLO, CALIFORNIA 93010	
MATERIAL		APPROVALS DRAWN <i>[Signature]</i> 10/12/90 CHECKED <i>[Signature]</i> 10/12/90	OUTLINE DRAWING	
FINISH 1		SIZE B	CODE IDENT NO. 51719	DRAWING NO. C5914
DO NOT SCALE DRAWING		SCALE 1:1	SHEET 1 OF 1	