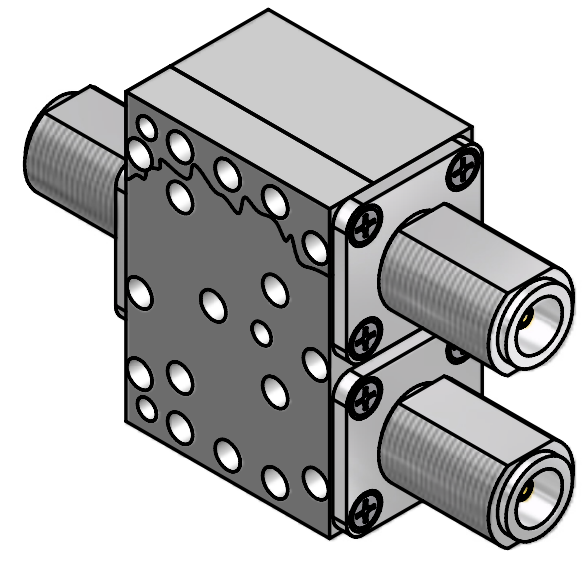
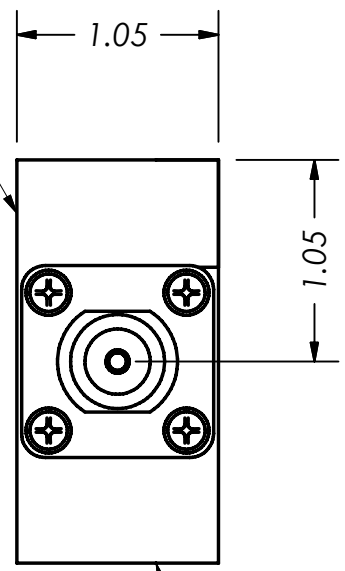


THIS DOCUMENT CONTAINS INFORMATION PROPRIETARY TO DELTA MICROWAVE. ANY REPRODUCTION WITHOUT WRITTEN PERMISSION IS EXPRESSLY PROHIBITED.

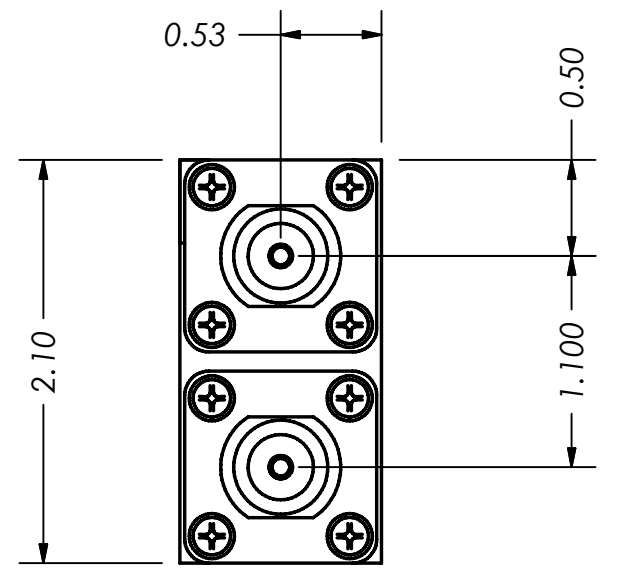
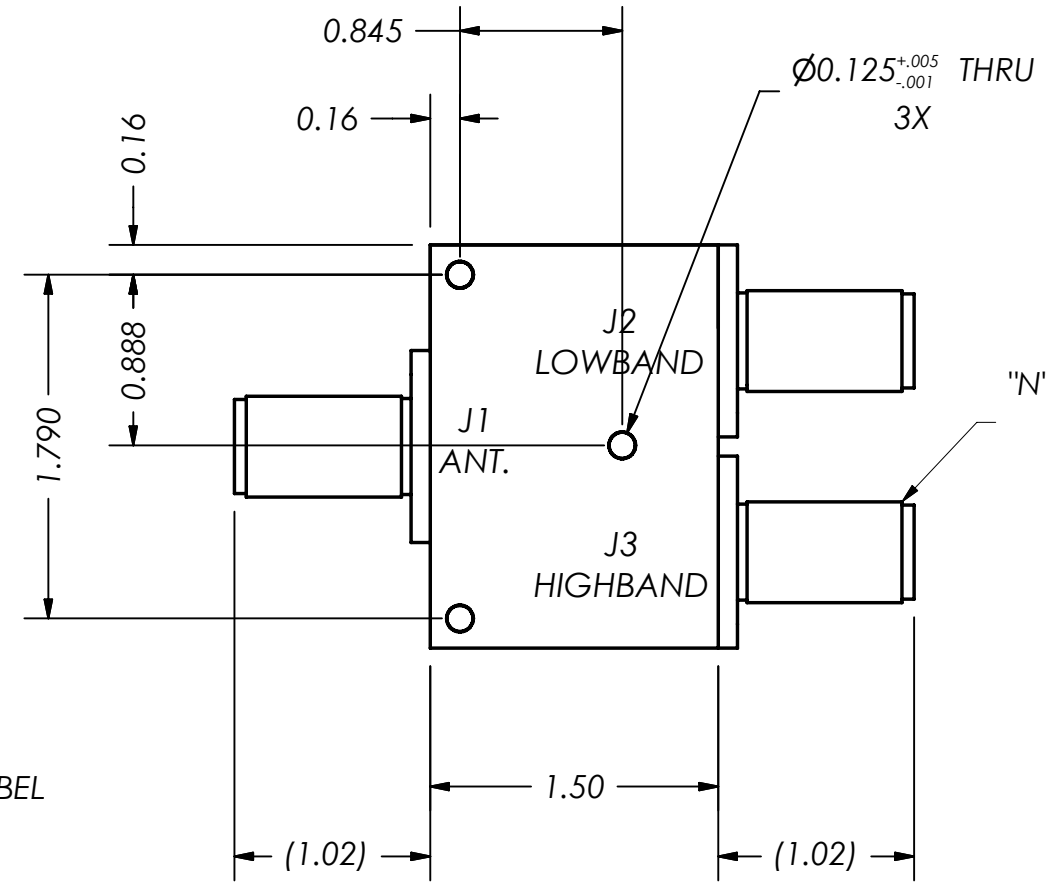
CUST. APPROVAL	ZONE	REV	DESCRIPTION	DATE	APPROVED
		A	RELEASED TO PRODUCTION	02/17/10	D.R.B.
		B	ECO#108169	02/22/10	



MOUNTING SURFACE TO REMAIN FREE OF PAINT SILVER PLATE PER SCD10030




MARKING LABEL THIS SIDE



2. MARKING: USING LABEL OR BLACK WORNOW INK TO INCLUDE: DELTA MICROWAVE, MODEL NO., SERIAL NO., CODE IDENT. NO. 51719 AND DATE CODE
- 1: FINISH: PRIME USING EPOXY PRIMER MIL-PRF-23377, TYPE II, CLASS C2 TO A DRY FILM THICKNESS OF .0006 TO .0009.
- PAINT USING CARC POLYURETHANE PAINT PER MIL-DTL-64159, TYPE II TO A DRY FILM THICKNESS OF .0018 MIN. COLOR DESERT TAN, COLOR NO.33446(TAN 686) PER FED -STD-595.

NOTES:

UNLESS OTHERWISE SPECIFIED DIMENSIONS ARE IN INCHES TOLERANCES ARE:		CONTRACT NO. C5938	
FRACTIONS	DECIMALS	ANGLES	APPROVALS
+	.xx ± .03	+	DATE
-	.xxx ± .010	-	DRAWN D.F.ESTABROOK
MATERIAL		REVISED	
FINISH		CHECKED	
USED ON MODEL#		APPROVED	
DO NOT SCALE DRAWING		INTERPRET DRAWINGS PER ASME Y14.100 and ASME Y14.24	

 Delta Microwave Inc. 300 Del Norte Boulevard Oxnard CA. 93030		TITLE	
		C5938 OUTLINE	
SIZE	CODE IDENT NO.	DWG NO	
B	51719	C5938	
SCALE	SHEET	1	OF 1