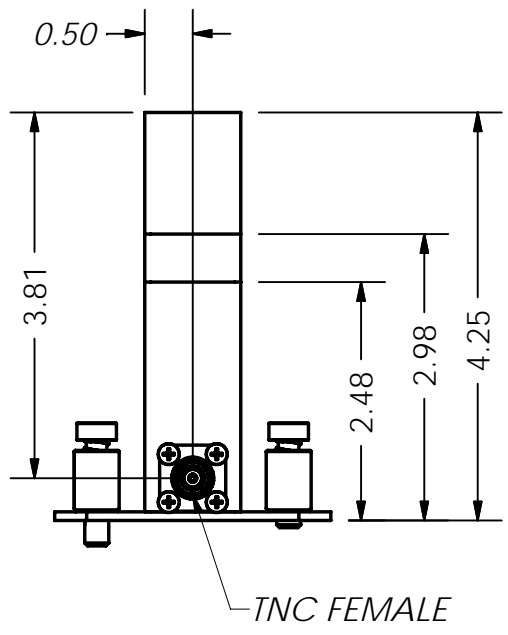
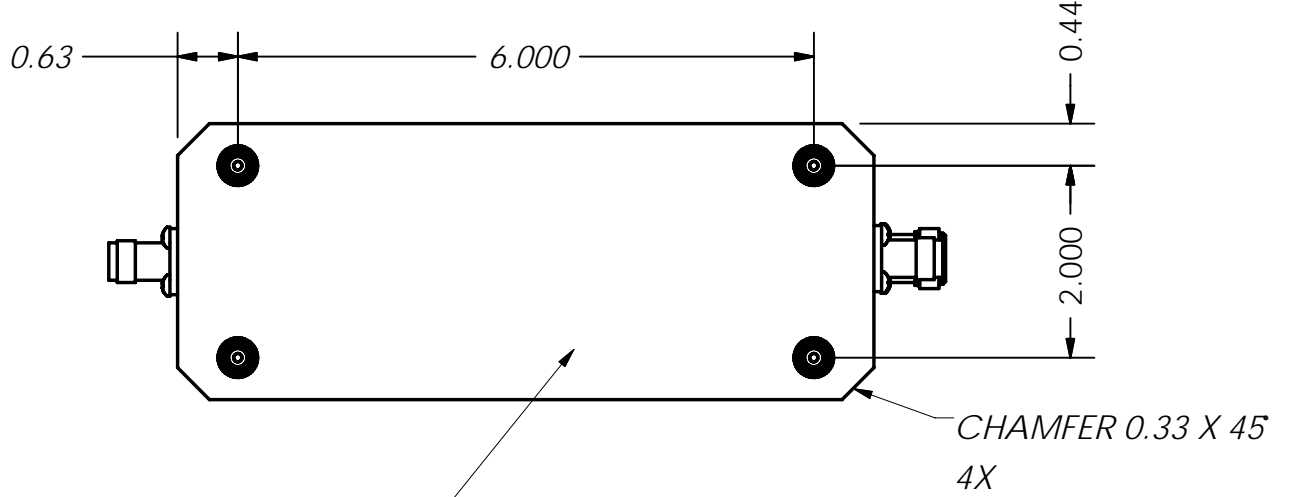
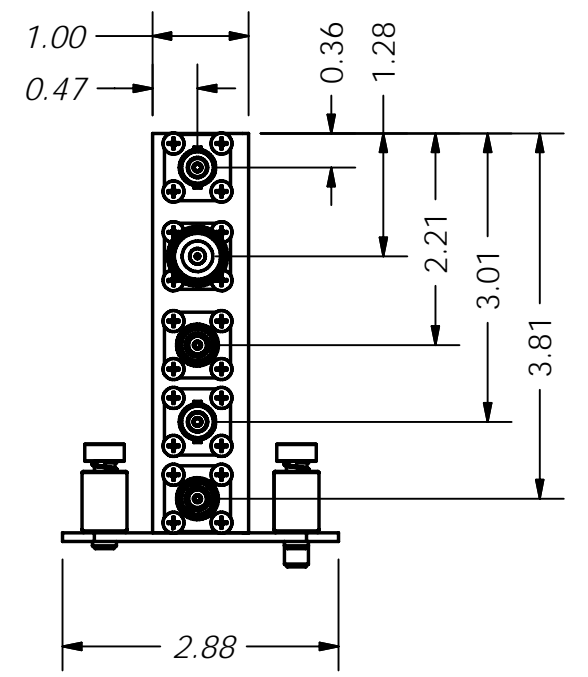
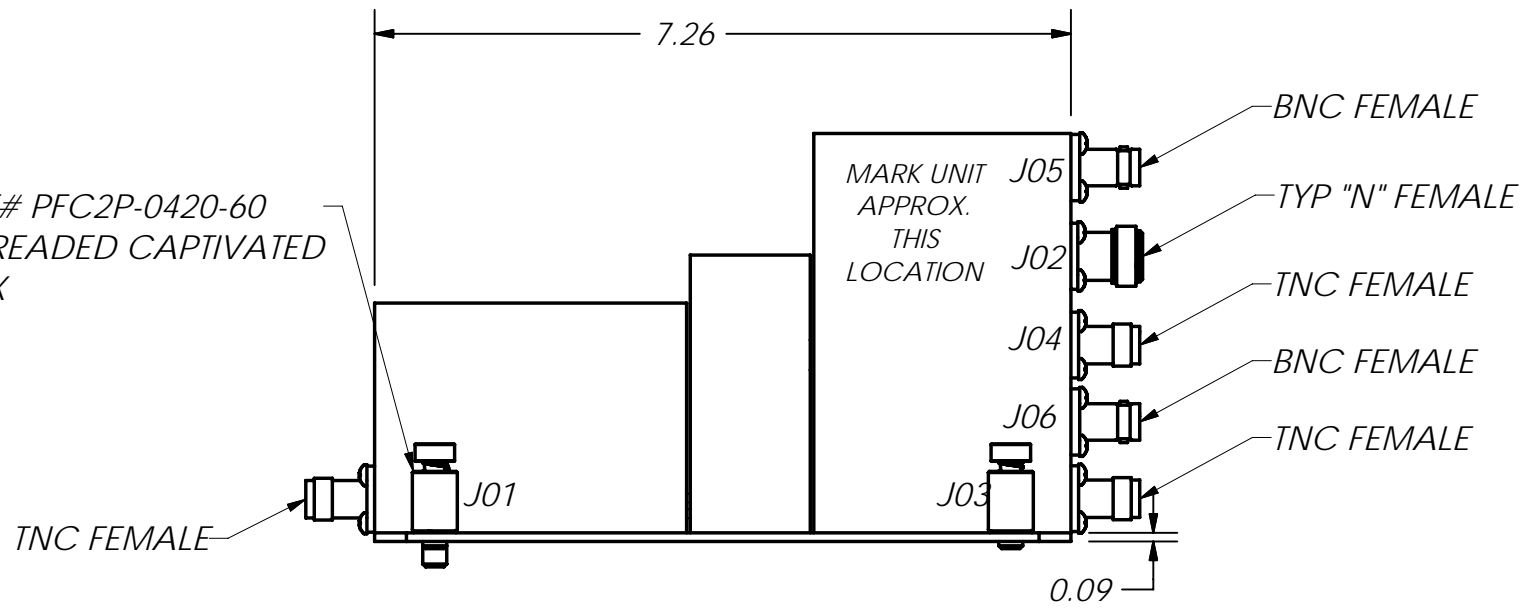


THIS DOCUMENT CONTAINS INFORMATION PROPRIETARY TO DELTA MICROWAVE. ANY REPRODUCTION WITHOUT WRITTEN PERMISSION IS EXPRESSLY PROHIBITED.

ZONE	REV	DESCRIPTION	DATE	APPROVED
	A	PRELIMINARY OUTLINE	10/25/05	D.R.B.
	B	ECO#106808	11/01/05	D.R.B.
	C	ECO#106818	11/03/05	D.R.B.
	D	ECO#106825	11/09/05	D.R.B.
	E	ECO#106862	01/09/06	D.R.B.
	F	ECO#106876	01/16/06	



PEM PART# PFC2P-0420-60  
1/4-20 THREADED CAPTIVATED  
INSERTS 4X



3. MARKING: USING LABEL OR BLACK WARNOW INK TO INCLUDE:  
DELTA MICROWAVE, MODEL NO., SERIAL NO.,  
CODE IDENT. NO. 51719 AND DATE CODE


2: FINISH: HAZE GRAY EPOXY POLYAMIDE TOPCOAT  
PER MIL-DTL-24441C, SUP.1  
MIL-DTL-24441/21, TYP 3, FORMULA 151  
USING GREEN EPOXY POLYAMIDE PRIMER  
MIL-DTL-24441/20, TYP 3, FORMULA 150

1: MOUNTING PLATE TO REMAIN FREE OF PAINT  
FINISH: ELECTROLESS NICKEL  
ASTMB 733, TY.4, SC-2, CL.4

NOTES:



UNLESS OTHERWISE SPECIFIED DIMENSIONS ARE IN INCHES TOLERANCES ARE: FRACTIONS    DECIMALS    ANGLES +                .xx ± .03            + -                .xxx ± .010        -			CONTRACT NO. DC-L 9002	
MATERIAL			APPROVALS	DATE
FINISH			DRAWN D.F. ESTABROOK	10/25/05
USED ON MODEL#			REVISED	
DO NOT SCALE DRAWING			CHECKED	
			APPROVED	

 <b>Delta Microwave Inc.</b> 1301 VANGUARD DRIVE OXNARD, CA 93033		
TITLE <b>DC-L 9002 DOWN CONVERTER</b>		
SIZE <b>B</b>	CODE IDENT NO. <b>51719</b>	DWG NO. <b>DC-L 9002</b>
SCALE 1:2	SHEET 1 OF 1	