

4

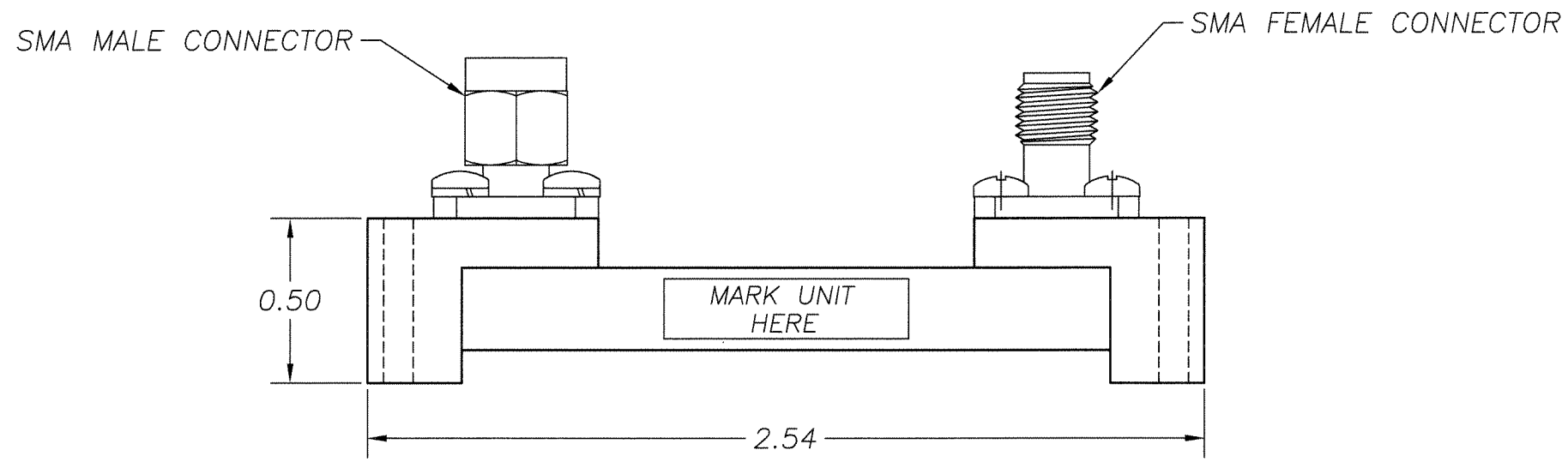
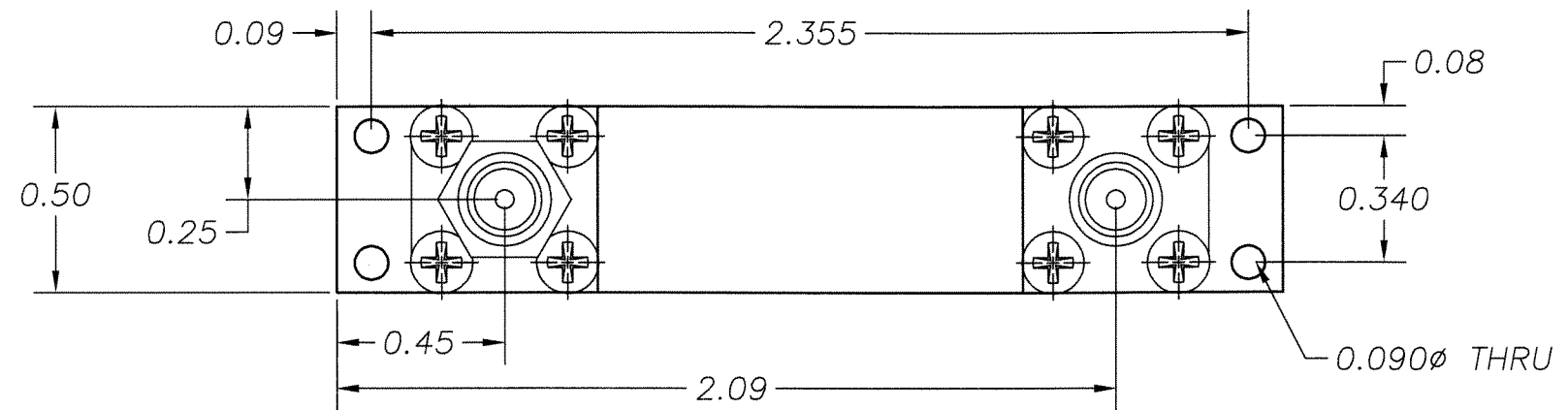
3

2

1

THIS DOCUMENT CONTAINS INFORMATION PROPRIETARY TO DELTA MICROWAVE. ANY REPRODUCTION OF THIS DOCUMENT WITHOUT WRITTEN PERMISSION IS EXPRESSLY PROHIBITED.

REVISIONS				
ZONE	REV	DESCRIPTION	DATE	APPROVED
	A	RELEASED	04/20/99	



2. MARKING: USING BLACK WARNOW INK TO INCLUDE:  
 DELTA MICROWAVE, MODEL NO., SERIAL NO.,  
 CODE IDENT. NO. 51719 AND DATE CODE

1: FINISH: HAZE GRAY EPOXY POLYAMIDE TOPCOAT  
 PER MIL-P-24441B TYP.1  
 (AS) COLOR NO.26270, FORMULA 151  
 PER MIL-P-24441/1C, QPL 24441-103  
 USING EPOXY POLYAMIDE PRIMER  
 PER MIL-P-24441B TYP.1 24272 GREEN  
 FORMULA 150 PER MIL-P-24441/1C, QPL 24441-103

NOTES:

QTY REQD	CODE IDENT	PART OR IDENTIFYING NO.	NOMENCLATURE OR DESCRIPTION	MATERIAL SPECIFICATION
PARTS LIST				
UNLESS OTHERWISE SPECIFIED DIMENSIONS ARE IN INCHES		CONTRACT NO. E1301		DELTA microwave 1301 VANGUARD DR. OXNARD CALIFORNIA 93033
TOLERANCES ARE: FRACTIONS DECIMALS ANGLES		APPROVALS	DATE	
+ .XX ±.01 +		DRAWN D.F. ESTABROOK	04/20/99	TITLE <b>OUTLINE</b>
- .XXX ±.005 -		CHECKED	4/20/99	
MATERIAL		APPROVED	4/20/99	SIZE B
FINISH				CODE IDENT NO. 51719
E1301				DRAWING NO. E1301
USED ON MODEL#		DO NOT SCALE DRAWING		SCALE 2/1
				SHEET 1 OF 1

4

3

2

1