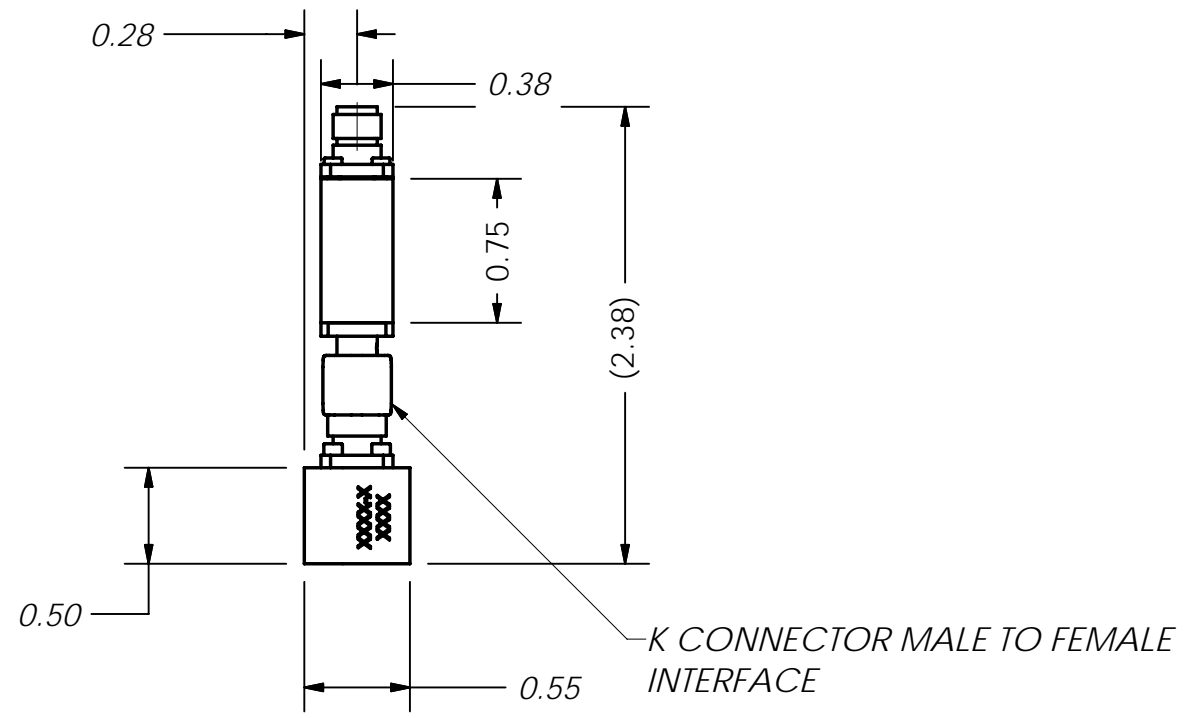
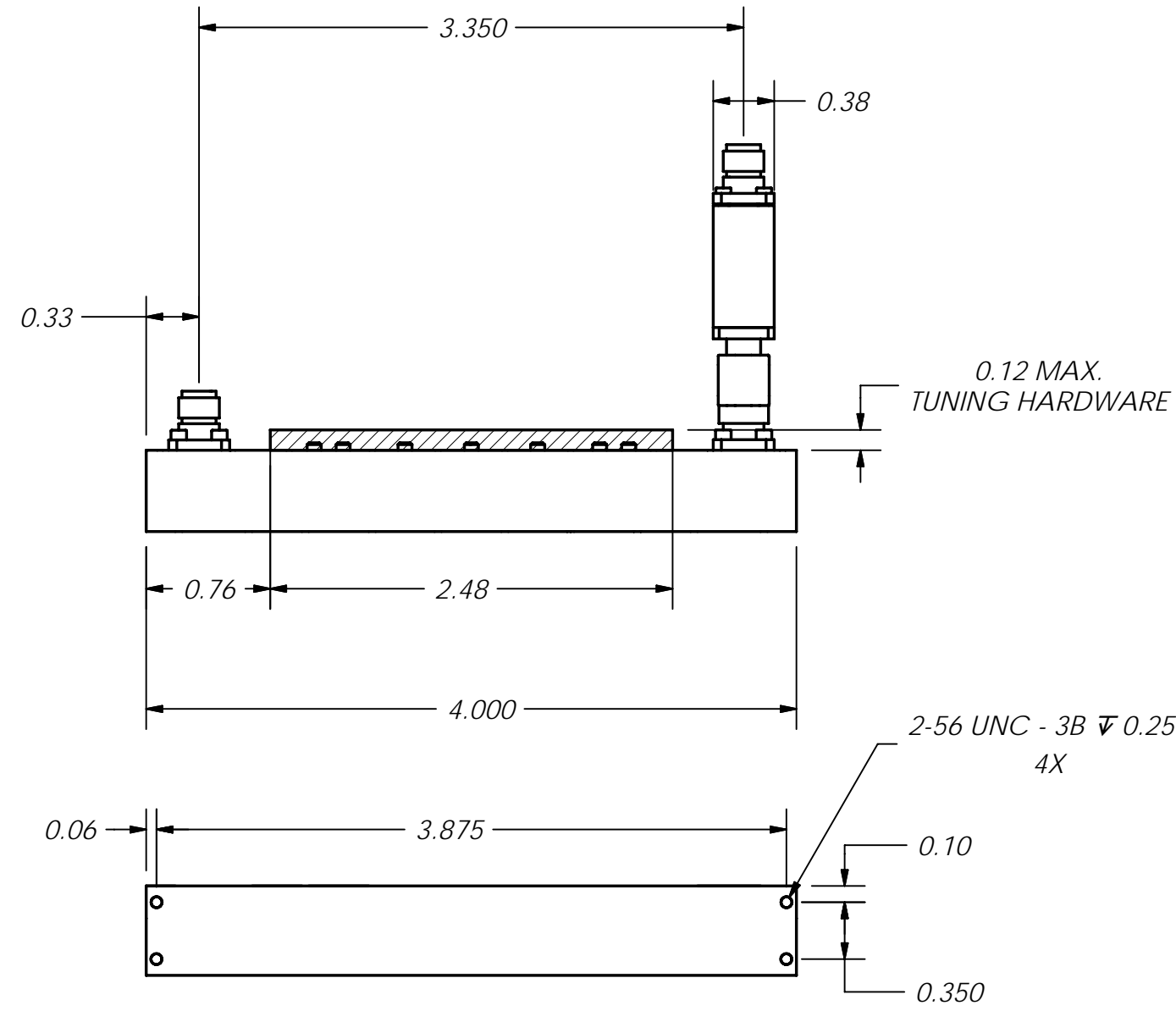


THIS DOCUMENT CONTAINS INFORMATION PROPRIETARY TO DELTA MICROWAVE. ANY REPRODUCTION WITHOUT WRITTEN PERMISSION IS EXPRESSLY PROHIBITED.

ZONE	REV	DESCRIPTION	DATE	APPROVED
	-	PRELIMINARY RELEASE	03/20/06	D.R.B.
	A	REL. TO PROD. ECO#106957	05/09/06	D.R.B.
	B	ECO#107033	07/31/06	




2. MARKING: USING LABEL OR BLACK WORNOW INK TO INCLUDE:
DELTA MICROWAVE, MODEL NO., SERIAL NO.,
CODE IDENT. NO. 51719 AND DATE CODE

1: FINISH: HAZE GRAY EPOXY POLYAMIDE TOPCOAT
PER MIL-DTL-24441C, SUP.1
MIL-DTL-24441/21, TYP 3, FORMULA 151
USING GREEN EPOXY POLYAMIDE PRIMER
MIL-DTL-24441/20, TYP 3, FORMULA 150

NOTES:

UNLESS OTHERWISE SPECIFIED DIMENSIONS ARE IN INCHES TOLERANCES ARE: FRACTIONS DECIMALS ANGLES + .xx ± .03 + - .xxx ± .010 -	CONTRACT NO.	E1506	
	APPROVALS	DATE	
	DRAWN	D.F. ESTABROOK	03/20/06
	REVIS		
MATERIAL	CHECKED		
FINISH	APPROVED		
USED ON MODEL#	DO NOT SCALE DRAWING		

 Delta Microwave Inc. 1301 VANGUARD DRIVE OXNARD, CA 93033		
TITLE		
<i>E1506 OUTLINE</i>		
SIZE	CODE IDENT NO.	DWG NO
B	51719	<i>E1506</i>
SCALE 2:1	SHEET	1 OF 1