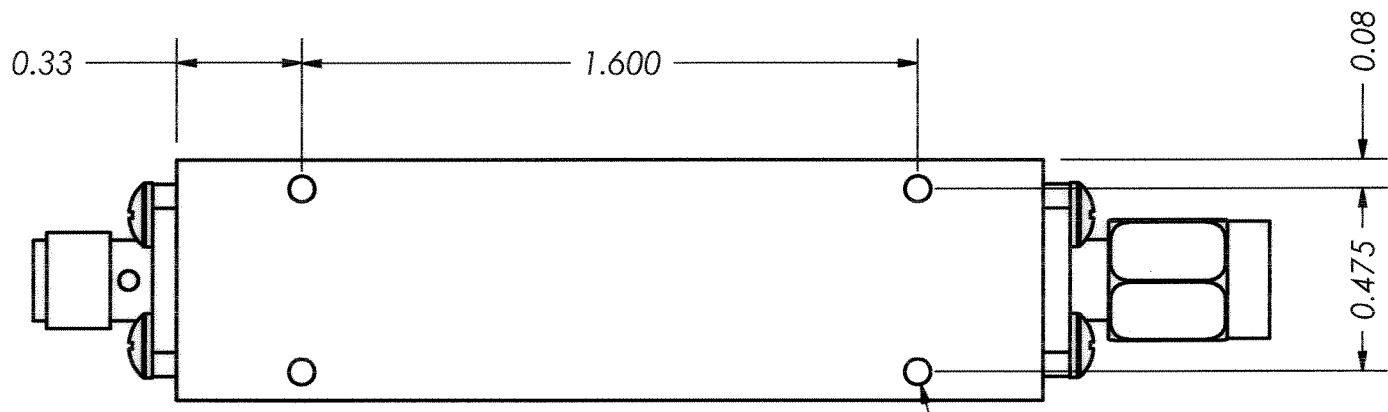
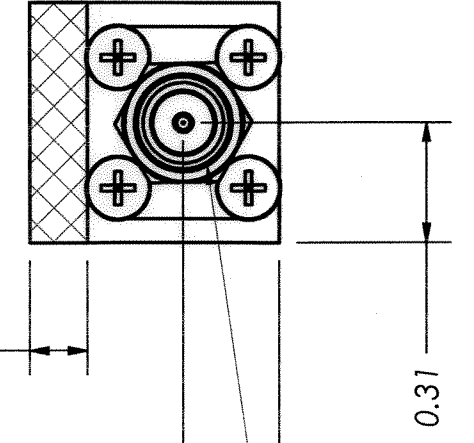
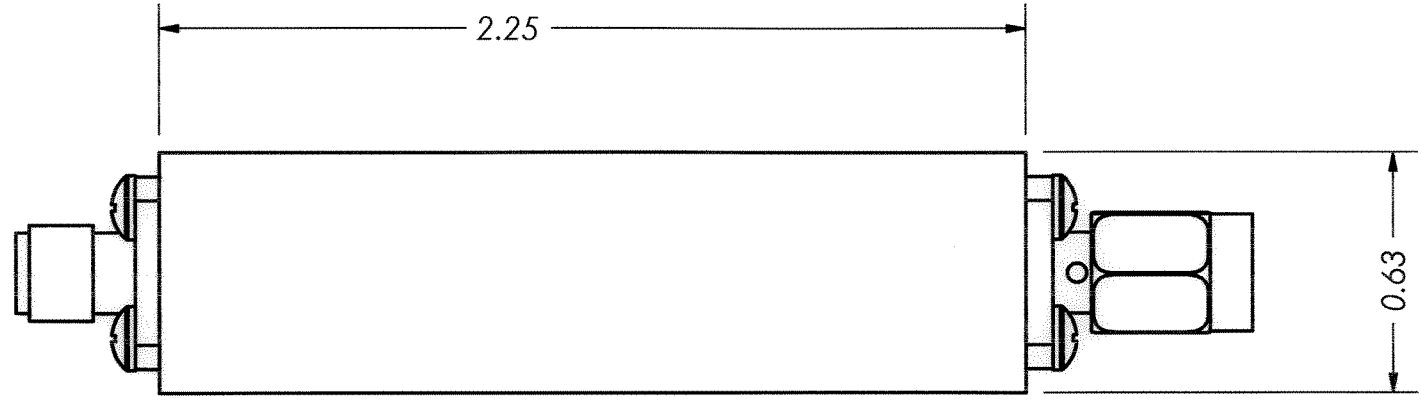


THIS DOCUMENT CONTAINS INFORMATION PROPRIETARY TO DELTA MICROWAVE. ANY REPRODUCTION WITHOUT WRITTEN PERMISSION IS EXPRESSLY PROHIBITED.

ZONE	REV	DESCRIPTION	DATE	APPROVED
	A	PRELIMINARY RELEASE	02/17/05	



2-56 UNC - 3B ∇ 0.150
4X

2. MARKING: USING LABEL OR BLACK WARNOW INK TO INCLUDE:
DELTA MICROWAVE, MODEL NO., SERIAL NO.,
CODE IDENT. NO. 51719 AND DATE CODE

1: FINISH: HAZE GRAY EPOXY POLYAMIDE TOPCOAT
PER MIL-DTL-24441C, SUP. 1
MIL-DTL-24441/21, TYP 3, FORMULA 151
USING GREEN EPOXY POLYAMIDE PRIMER
MIL-DTL-24441/20, TYP 3, FORMULA 150

NOTES:

UNLESS OTHERWISE SPECIFIED DIMENSIONS ARE IN INCHES TOLERANCES ARE:		
FRACTIONS	DECIMALS	ANGLES
+	.xx ± .03	+
-	.xxx ± .010	-
MATERIAL		
FINISH		
USED ON MODEL#	DO NOT SCALE DRAWING	

CONTRACT NO. E1704	
APPROVALS	DATE
DRAWN D.F. ESTABROOK	02/17/05
REVISED	
CHECKED 	02/17/05
APPROVED 	02/17/05

Delta Microwave Inc. 1301 VANGUARD DRIVE OXNARD, CA 93033		
TITLE E1704 OUTLINE		
SIZE B	CODE IDENT NO. 51719	DWG NO. E1704
SCALE 2/1	SHEET 1	OF 1