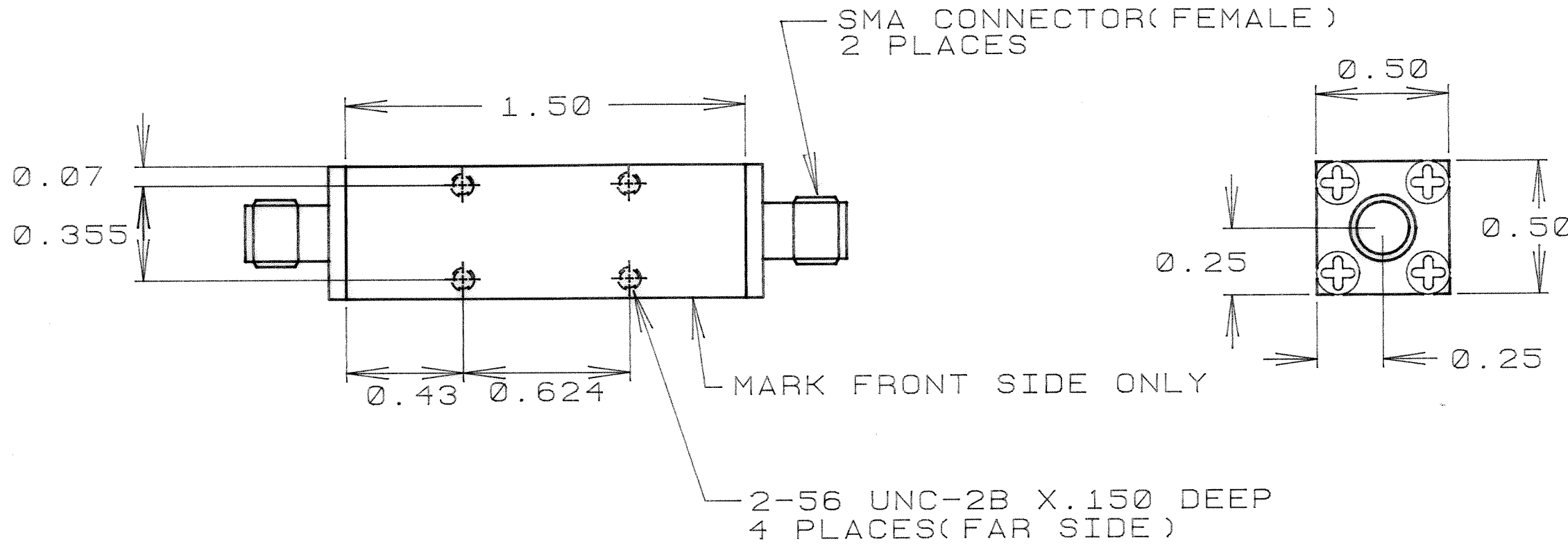


THIS DOCUMENT CONTAINS INFORMATION PROPRIETARY TO DELTA MICROWAVE. ANY REPRODUCTION OF THIS DOCUMENT WITHOUT WRITTEN PERMISSION IS EXPRESSLY PROHIBITED.

REVISIONS				
ZONE	LTR	DESCRIPTION	DATE	APPROVED
	A	RELEASED		



2. MARKING: USING BLACK WORNOW INK, TO INCLUDE:
 DELTA MICROWAVE, MODEL NO., SERIAL NO.,
 CODE IDENT. NO. 51719 AND DATE CODE.

1. FINISH: GREY POLYURETHANE COATING PER MIL-C-81773
 (AS) COLOR NO. 16440, PER FED-STD-595
 USING EPOXY PRIMER PER MIL-P-23377C

NOTES:

SCARAB GRAPHICS NO. 162370

QTY REQD	CODE IDENT	PART OR IDENTIFYING NO.	NOMENCLATURE OR DESCRIPTION	MATERIAL SPECIFICATION
PARTS LIST				
UNLESS OTHERWISE SPECIFIED DIMENSIONS ARE IN INCHES TOLERANCES ARE: FRACTIONS DECIMALS ANGLES ± .XX ± .01 ± .XXX ± .005		CONTRACT NO. KU1425	DELTA MICROWAVE 840 VIA ALONDRA CAMARILLO, CALIFORNIA 93010	
MATERIAL		APPROVALS	DATE	BANDPASS FILTER OUTLINE
FINISH 1		DRAWN D.F. ESTABROOK	11/11/94	
DO NOT SCALE DRAWING		CHECKED <i>[Signature]</i>	11-11-94	SIZE B
				CODE IDENT NO. 51719
				DRAWING NO. KU1425
				SCALE 2:1
				SHEET 1 OF 1