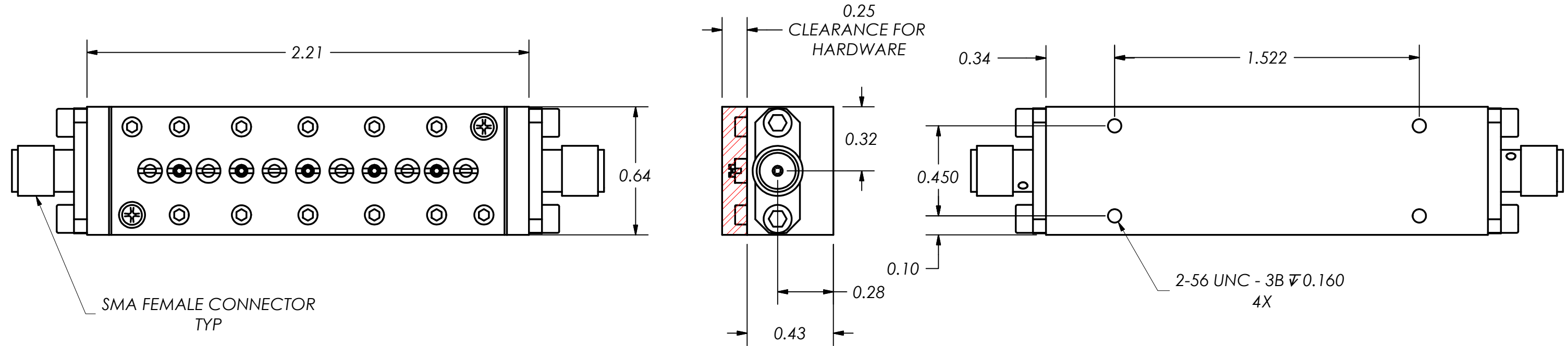
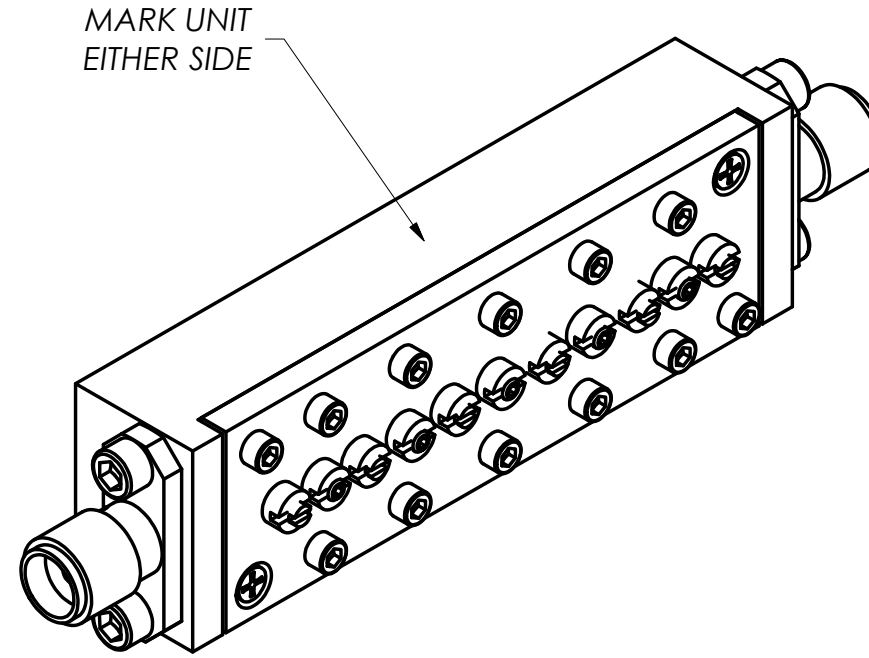


THIS DOCUMENT CONTAINS INFORMATION PROPRIETARY TO DELTA MICROWAVE. ANY REPRODUCTION WITHOUT WRITTEN PERMISSION IS EXPRESSLY PROHIBITED.


CUST. APPROVAL	ZONE	REV	DESCRIPTION	DATE	APPROVED
		A	RELEASED TO PRODUCTION	11/24/09	D.R.B.
		B	ECO # 108086	12/09/09	



2. MARKING: USING LABEL OR BLACK WORNOW INK TO INCLUDE:
DELTA MICROWAVE, MODEL NO., SERIAL NO.,
CODE IDENT. NO. 51719 AND DATE CODE

1: FINISH: HAZE GRAY EPOXY POLYAMIDE TOPCOAT
PER MIL-DTL-24441C, SUP.1
MIL-DTL-24441/21, TYP 3, FORMULA 151
USING GREEN EPOXY POLYAMIDE PRIMER
MIL-DTL-24441/20, TYP 3, FORMULA 150

NOTES:

UNLESS OTHERWISE SPECIFIED DIMENSIONS ARE IN INCHES TOLERANCES ARE: FRACTIONS DECIMALS ANGLES + .xx ± .03 + - .xxx ± .010 -		CONTRACT NO. Ku1521		 Delta Microwave Inc. 300 Del Norte Boulevard Oxnard CA. 93030		
MATERIAL		APPROVALS	DATE			
FINISH		DRAWN	11/24/09	TITLE Ku1521 OUTLINE		
USED ON MODEL#		REVISED	12/09/09			
DO NOT SCALE DRAWING		CHECKED		SIZE	CODE IDENT NO.	DWG NO
		APPROVED		B	51719	Ku1521
				SCALE 2:1	SHEET 1 OF 1	