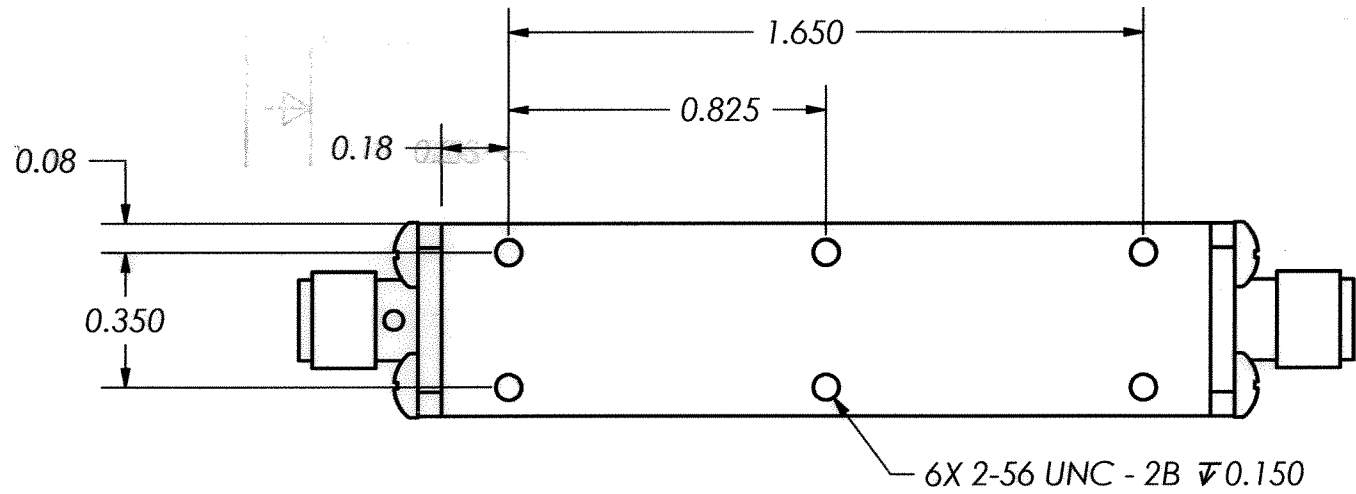
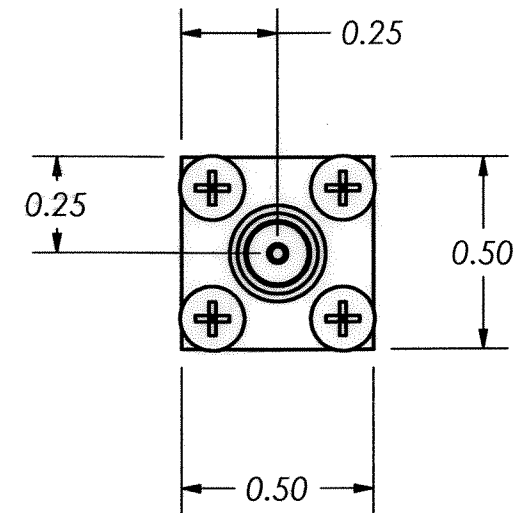
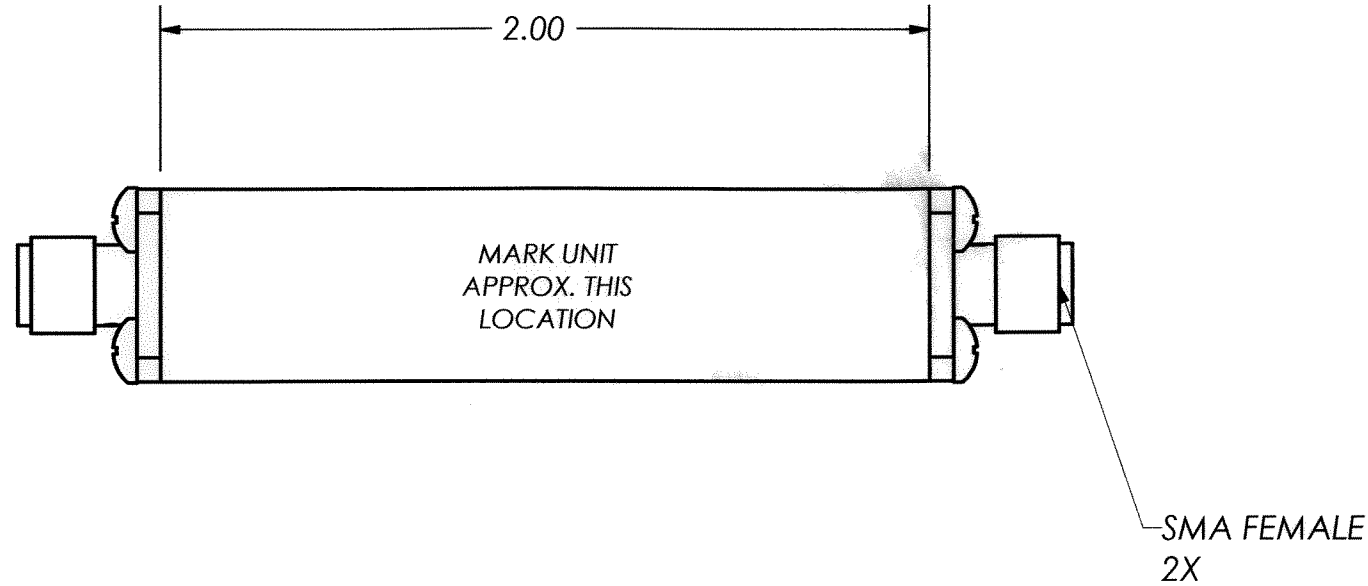


THIS DOCUMENT CONTAINS INFORMATION PROPRIETARY TO DELTA MICROWAVE. ANY REPRODUCTION WITHOUT WRITTEN PERMISSION IS EXPRESSLY PROHIBITED.

ZONE	REV	DESCRIPTION	DATE	APPROVED
	A	RELEASED	12/10/03	



2. MARKING: USING LABEL OR BLACK WARNOW INK TO INCLUDE:  
 DELTA MICROWAVE, MODEL NO., SERIAL NO.,  
 CODE IDENT. NO. 51719 AND DATE CODE

1: FINISH: HAZE GRAY EPOXY POLYAMIDE TOPCOAT  
 PER MIL-DTL-24441C, SUP. 1  
 MIL-DTL-24441/21, TYP 3, FORMULA 151  
 USING GREEN EPOXY POLYAMIDE PRIMER  
 MIL-DTL-24441/20, TYP 3, FORMULA 150

NOTES:

UNLESS OTHERWISE SPECIFIED  
 DIMENSIONS ARE IN INCHES  
 TOLERANCES ARE:  
 FRACTIONS DECIMALS ANGLES  
 + .xx ± .01 +  
 - .xxx ± .005 -

CONTRACT NO. *Ku1603*

APPROVALS DATE

DRAWN *D.F. ESTABROOK* 12/10/03

REVISED

CHECKED *[Signature]* 12/10/03

APPROVED *[Signature]* 12/10/03

MATERIAL

FINISH

USED ON MODEL# DO NOT SCALE DRAWING

**Delta Microwave Inc.**  
 1301 VANGUARD DRIVE OXNARD, CA 93033

TITLE  
*Ku1603* OUTLINE

SIZE CODE IDENT NO. DWG NO.  
**B** 51719 *Ku1603*

SCALE 2:1 SHEET 1 OF 1