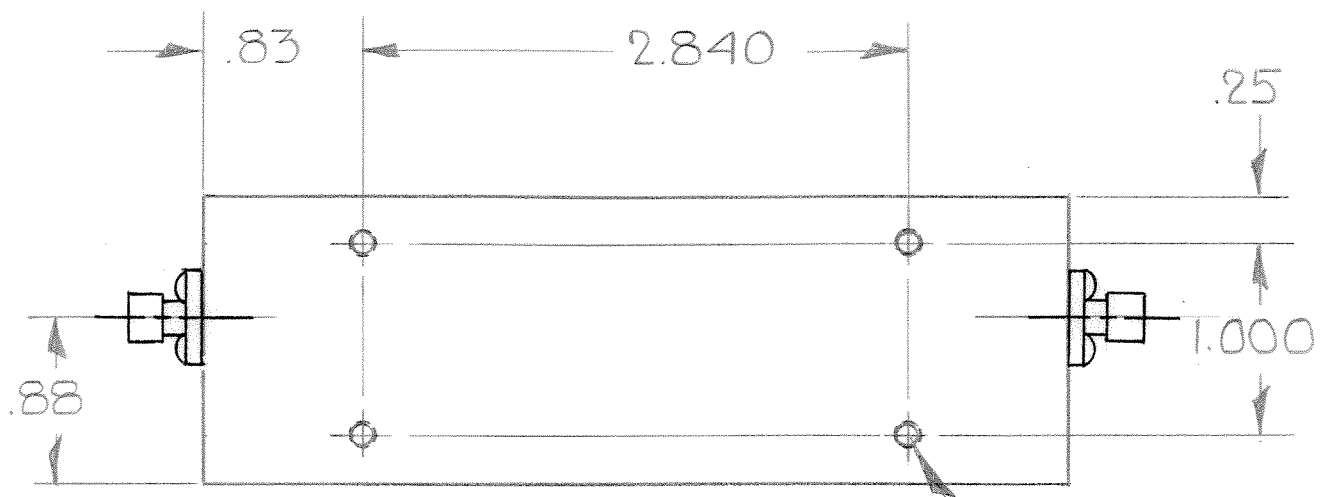
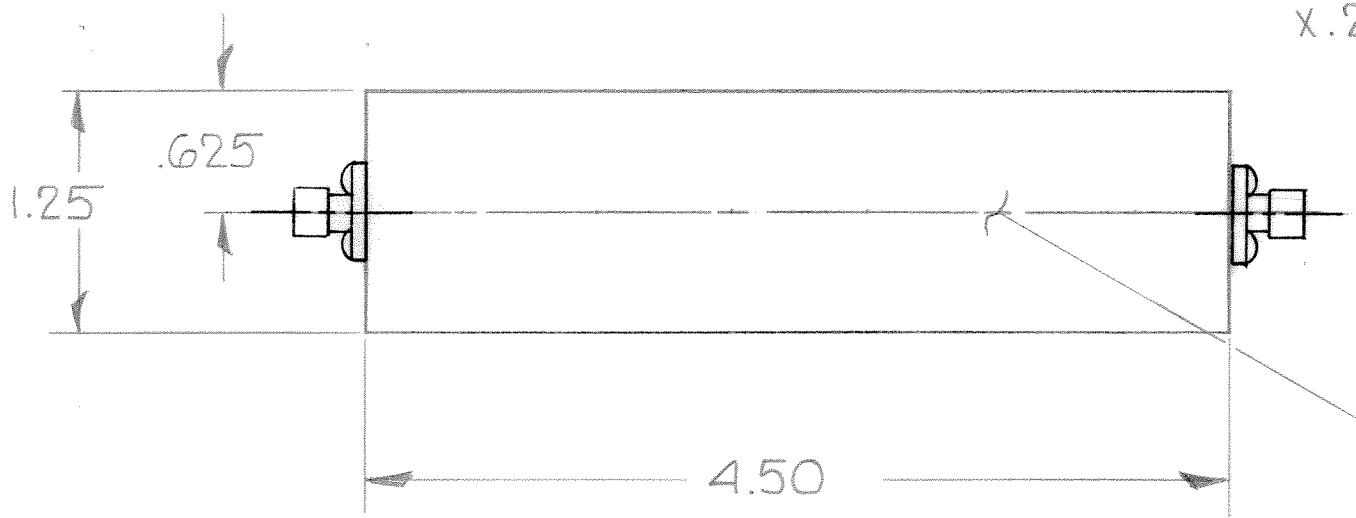


THIS DOCUMENT CONTAINS INFORMATION PROPRIETARY TO DELTA MICROWAVE. ANY REPRODUCTION OF THIS DOCUMENT WITHOUT WRITTEN PERMISSION IS EXPRESSLY PROHIBITED.

REVISIONS				
ZONE	LTR	DESCRIPTION	DATE	APPROVED
	A	RELEASED	5-15-85	<i>[Signature]</i>



6-32 UNC-2B-THD
X.20 DP. 4 PLC'S



MARKING SURFACE (FAR SIDE)

2. MARKING: USING BLACK WORNOW INK, TO INCLUDE DELTA MICROWAVE, MODEL NO. KU1604 SERIAL NO., CODE INDET NO. 51719 AND DATE CODE

1. FINISH: GREY POLYURETHANE COATING PER MIL-C-81773 (AS) COLOR NO. 16440, PER FED STD 595 USING EPOXY PRIMER MIL-P-23377C

NOTES:

QTY REQD	CODE IDENT	PART OR IDENTIFYING NO.	NOMENCLATURE OR DESCRIPTION	MATERIAL SPECIFICATION
PARTS LIST				
UNLESS OTHERWISE SPECIFIED DIMENSIONS ARE IN INCHES TOLERANCES ARE: FRACTIONS DECIMALS ANGLES ± N/A .XX ± .03 ± 1/2° .XXX ± .010			DELTA MICROWAVE 840 VIA ALONDRA CAMARILLO, CALIFORNIA 93010	
CONTRACT NO.		BANDPASS FILTER OUTLINE		
APPROVALS				
DATE				
DRAWN <i>[Signature]</i>		5-15-85		
CHECKED <i>[Signature]</i>		5-17-85		
MATERIAL		5-17-85		
FINISH		SIZE	CODE IDENT NO.	DRAWING NO.
DO NOT SCALE DRAWING		B	51719	KU1604
SCALE FULL			SHEET	OF