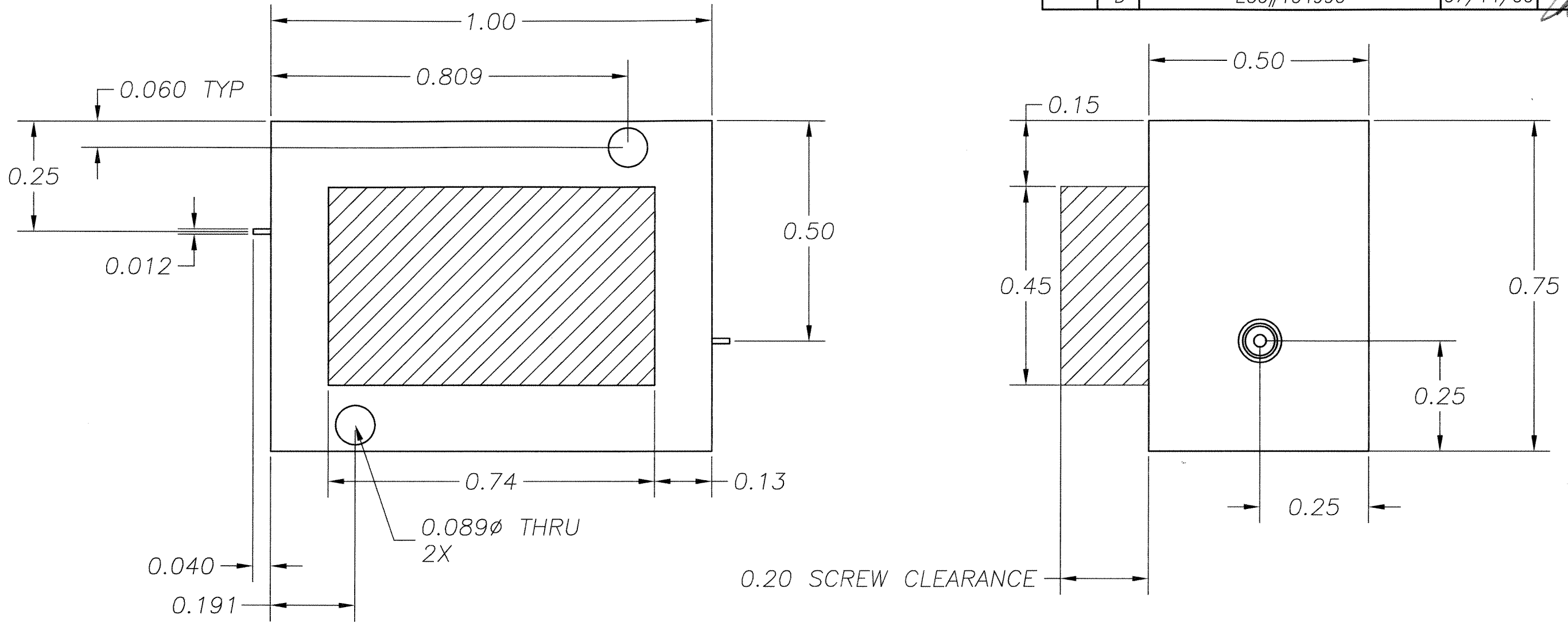


THIS DOCUMENT CONTAINS INFORMATION PROPRIETARY TO DELTA MICROWAVE. ANY REPRODUCTION OF THIS DOCUMENT WITHOUT WRITTEN PERMISSION IS EXPRESSLY PROHIBITED.

REVISIONS				
ZONE	REV	DESCRIPTION	DATE	APPROVED
	A	RELEASED	03/13/00	R.E.S.
	B	REDRAWN	05/04/00	R.E.S.
	C	ECO#104989	07/11/00	R.E.S.
	D	ECO#104990	07/14/00	



2. MARKING: USING BLACK WARNOW INK TO INCLUDE: DELTA MICROWAVE, MODEL NO., SERIAL NO., CODE IDENT. NO. 51719 AND DATE CODE

1: FINISH: HAZE GRAY EPOXY POLYAMIDE TOPCOAT PER MIL-P-24441B TYP.1 (AS)COLOR NO.26270, FORMULA 151 PER MIL-P-24441/1C, QPL 24441-103 USING EPOXY POLYAMIDE PRIMER PER MIL-P-24441B TYP.1 24272 GREEN FORMULA 150 PER MIL-P-24441/1C, QPL 24441-103

NOTES:

QTY REQD	CODE IDENT	PART OR IDENTIFYING NO.	NOMENCLATURE OR DESCRIPTION	MATERIAL SPECIFICATION	
PARTS LIST					
UNLESS OTHERWISE SPECIFIED DIMENSIONS ARE IN INCHES TOLERANCES ARE:		CONTRACT NO. Ku1619		DELTA microwave DELTA MICROWAVE 1301 VANGUARD DR. OXNARD CALIFORNIA 93033	
FRACTIONS	DECIMALS	ANGLES	APPROVALS		DATE
+	.xx ±.03	±	DRAWN	D.F. ESTABROOK	03/13/00
-	.xxx ±.010	-	CHECKED	<i>[Signature]</i>	7/25/00
MATERIAL		APPROVED		TITLE	
FINISH		Ku1619		OUTLINE	
USED ON MODEL#		DO NOT SCALE DRAWING		SIZE	
				B	
				CODE IDENT NO.	
				51719	
				DRAWING NO.	
				Ku1619	
				SCALE 4/1	
				SHEET 1 OF 1	