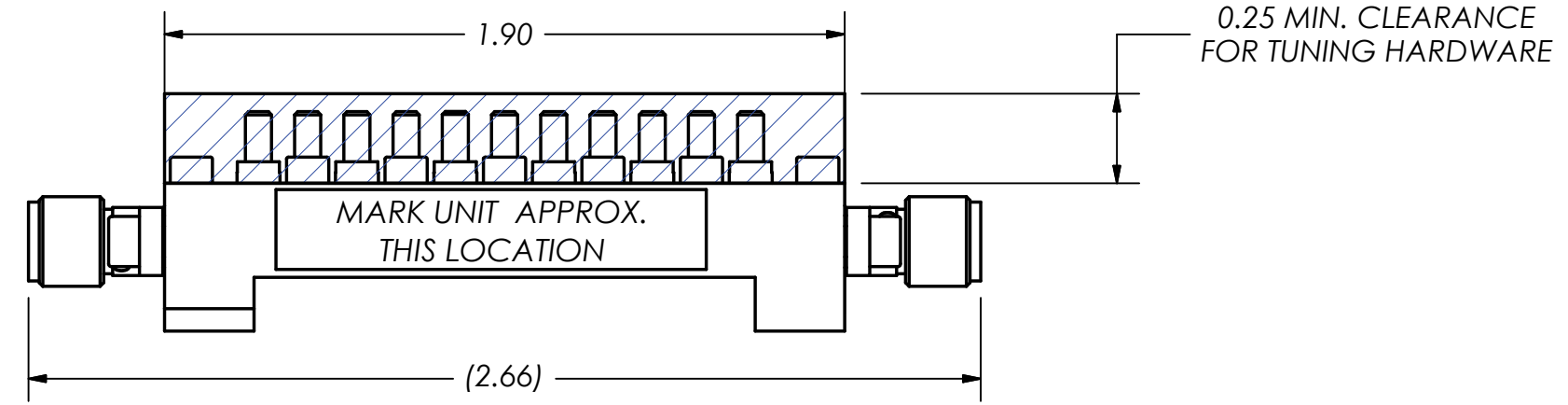
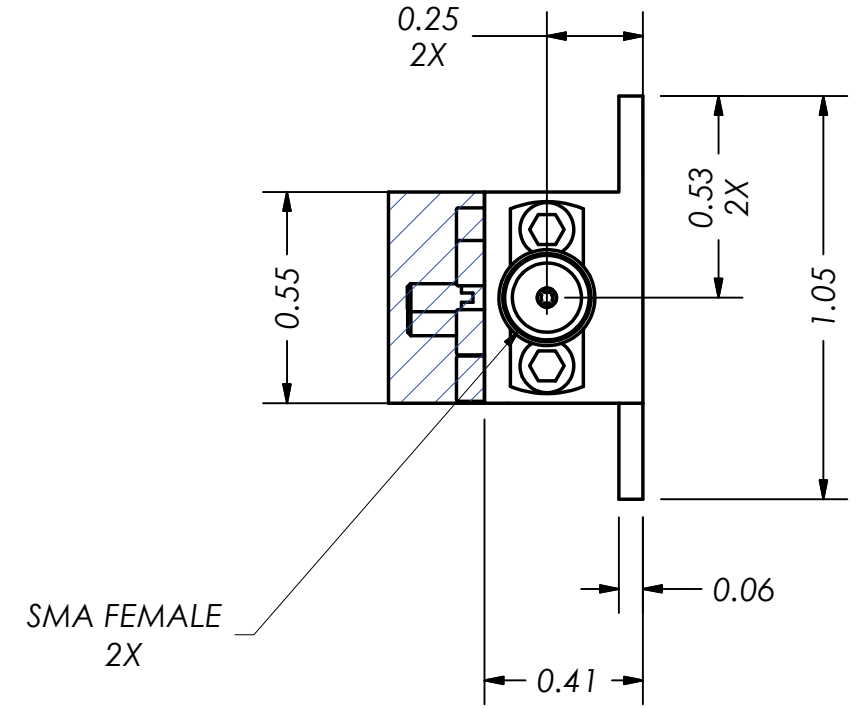
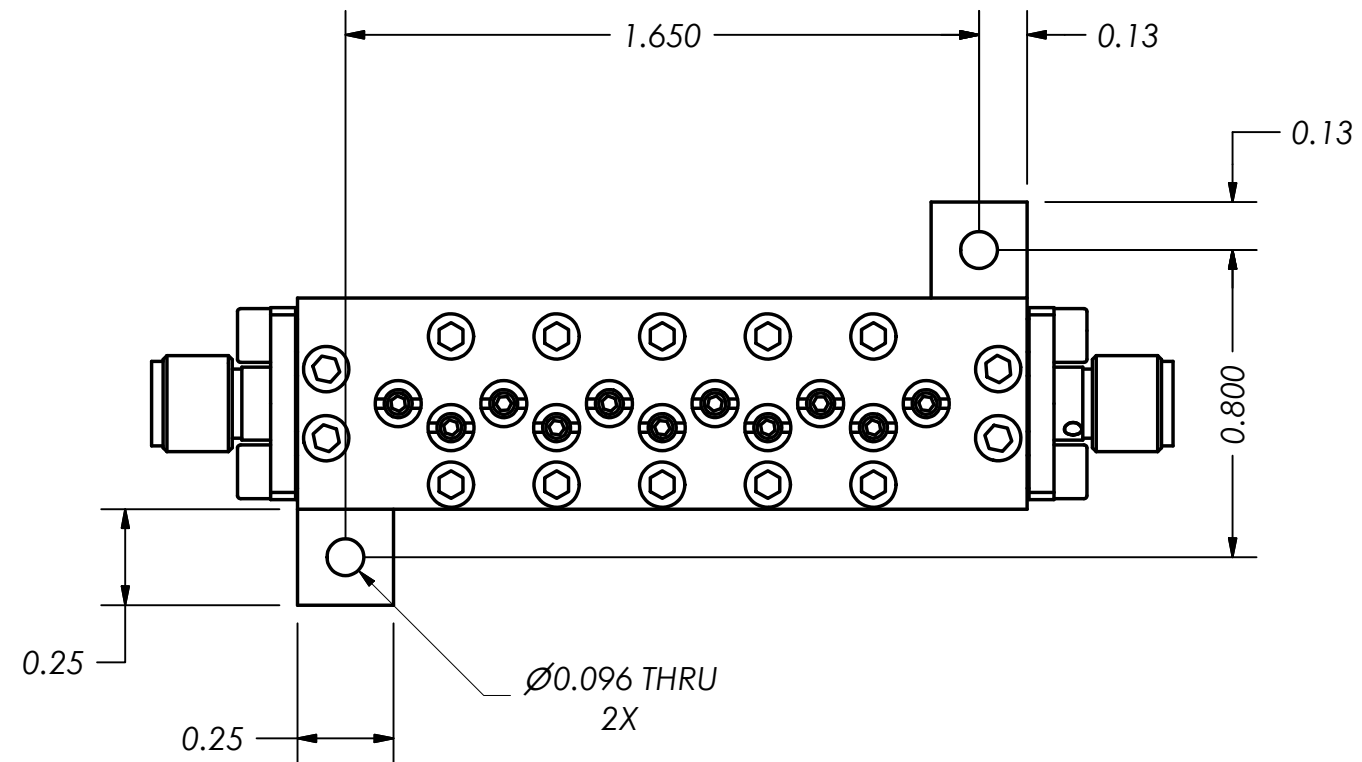


THIS DOCUMENT CONTAINS INFORMATION PROPRIETARY TO DELTA MICROWAVE. ANY REPRODUCTION WITHOUT WRITTEN PERMISSION IS EXPRESSLY PROHIBITED.

CUST. APPROVAL	ZONE	REV	DESCRIPTION	DATE	APPROVED
		A	INITIAL RELEASE	02/16/11	D.R.B.
		B	ECO#108662	03/07/11	D.R.B.
		C	ECO#109023	09/28/11	D.R.B.
		D	ECO#109298	05/30/12	




2. MARKING: USING LABEL OR BLACK WORNOW INK TO INCLUDE:
DELTA MICROWAVE, MODEL NO., SERIAL NO.,
CODE IDENT. NO. 51719 AND DATE CODE

1: FINISH: HAZE GRAY EPOXY POLYAMIDE TOPCOAT
PER MIL-DTL-24441C, SUP.1
MIL-DTL-24441/21, TYP 3, FORMULA 151
USING GREEN EPOXY POLYAMIDE PRIMER
MIL-DTL-24441/20, TYP 3, FORMULA 150

NOTES:

UNLESS OTHERWISE SPECIFIED DIMENSIONS ARE IN INCHES TOLERANCES ARE: FRACTIONS DECIMALS ANGLES + .xx ± .03 + 1° - .xxx ± .010 -			CONTRACT NO. <i>Ku1620</i>	
APPROVALS		DATE		
DRAWN D.F.ESTABROOK		02/16/11		
REVISED D.F.ESTABROOK		05/30/12		
CHECKED				
APPROVED				
MATERIAL		INTERPRET DRAWINGS PER ASME Y14.100 and ASME Y14.24		
FINISH				
USED ON MODEL#		DO NOT SCALE DRAWING		

 Delta Microwave Inc. 300 Del Norte Boulevard Oxnard CA. 93030		
TITLE <i>Ku1620 OUTLINE</i>		
SIZE B	CODE IDENT NO. 51719	DWG NO <i>Ku1620</i>
SCALE 2:1		SHEET 1 OF 1