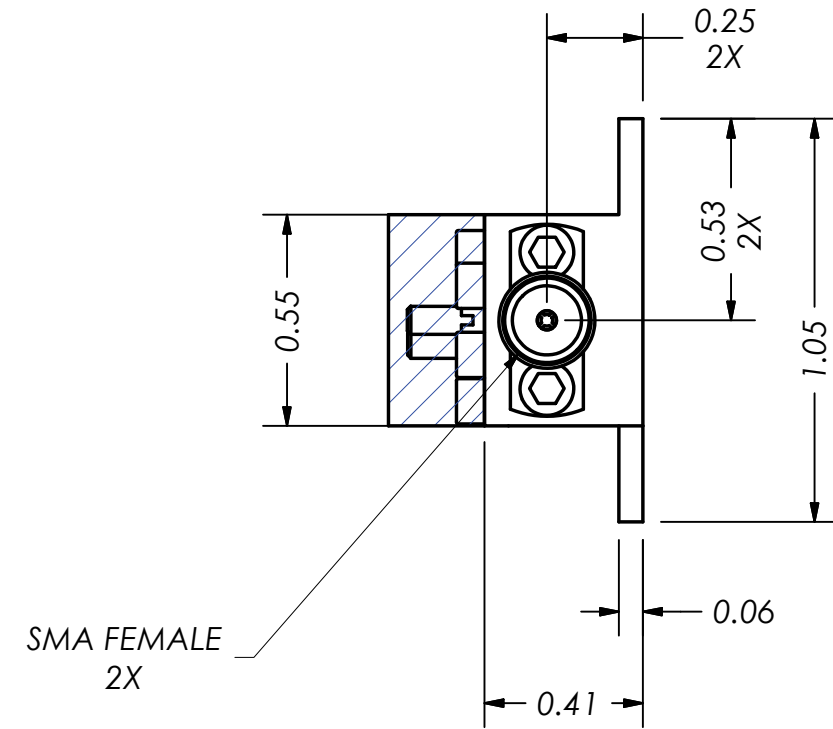
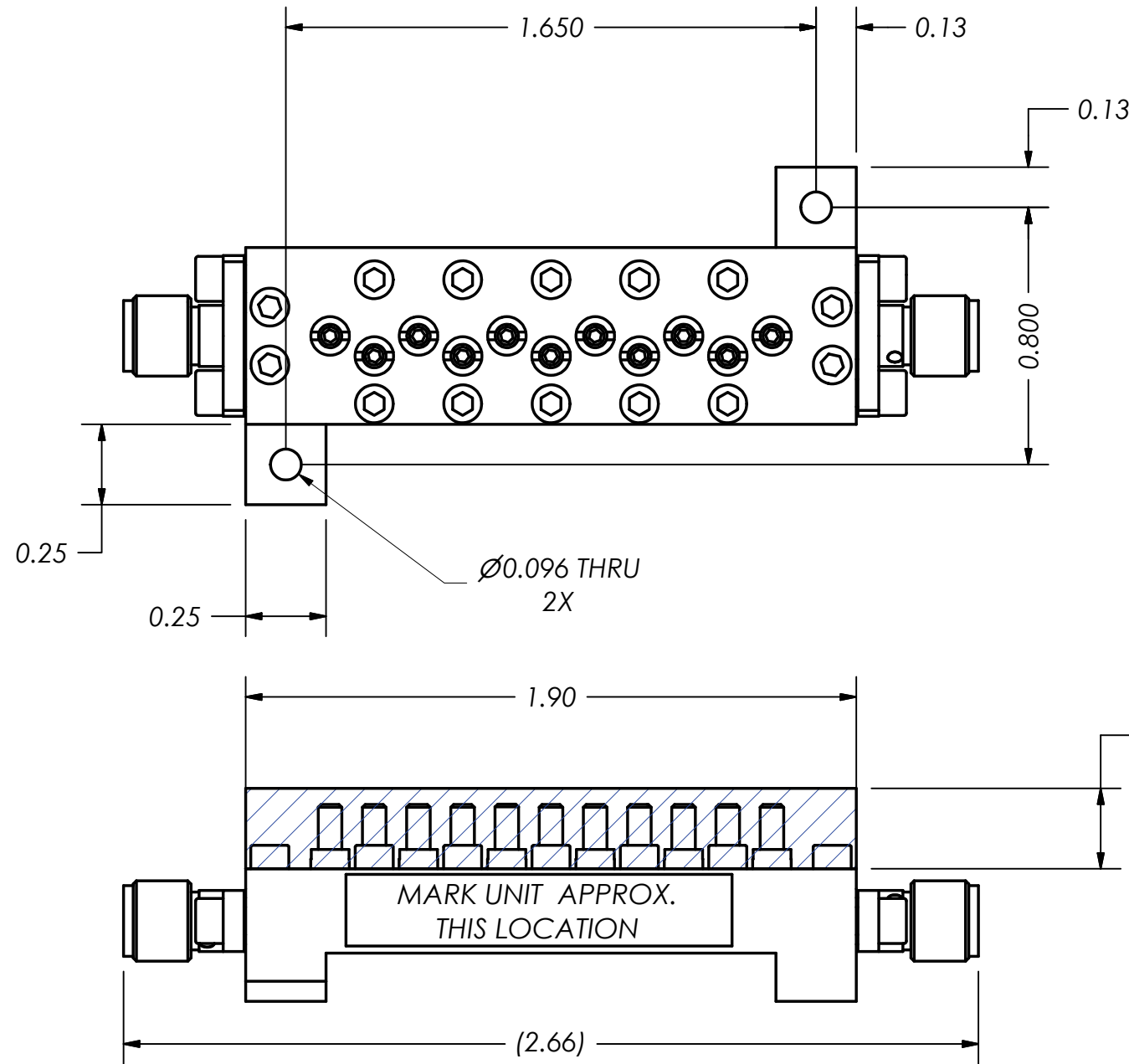


THIS DOCUMENT CONTAINS INFORMATION PROPRIETARY TO DELTA MICROWAVE. ANY REPRODUCTION WITHOUT WRITTEN PERMISSION IS EXPRESSLY PROHIBITED.

CUST. APPROVAL	ZONE	REV	DESCRIPTION	DATE	APPROVED
		A	INITIAL RELEASE	02/16/11	D.R.B.
		B	ECO#108662	03/07/11	D.R.B.
		C	ECO#109023	09/28/11	D.R.B.
		D	ECO#109298	05/30/12	




2. MARKING: USING LABEL OR BLACK WORNOW INK TO INCLUDE:  
DELTA MICROWAVE, MODEL NO., SERIAL NO.,  
CODE IDENT. NO. 51719 AND DATE CODE

1: FINISH: HAZE GRAY EPOXY POLYAMIDE TOPCOAT  
PER MIL-DTL-24441C, SUP.1  
MIL-DTL-24441/21, TYP 3, FORMULA 151  
USING GREEN EPOXY POLYAMIDE PRIMER  
MIL-DTL-24441/20, TYP 3, FORMULA 150

NOTES:

UNLESS OTHERWISE SPECIFIED DIMENSIONS ARE IN INCHES TOLERANCES ARE: FRACTIONS    DECIMALS    ANGLES +                .xx ± .03            + 1° -                .xxx ± .010        -	CONTRACT NO. <i>Ku1621</i>	
	APPROVALS	DATE
	DRAWN D.F.ESTABROOK	02/16/11
	REVISED D.F.ESTABROOK	05/30/12
MATERIAL	CHECKED	
FINISH	APPROVED	
USED ON MODEL#	DO NOT SCALE DRAWING	

 <b>Delta Microwave Inc.</b> 300 Del Norte Boulevard Oxnard CA. 93030		
<i>Ku1621 OUTLINE</i>		
SIZE	CODE IDENT NO.	DWG NO
<b>B</b>	<b>51719</b>	<b>Ku1621</b>
SCALE 2:1		SHEET 1 OF 1