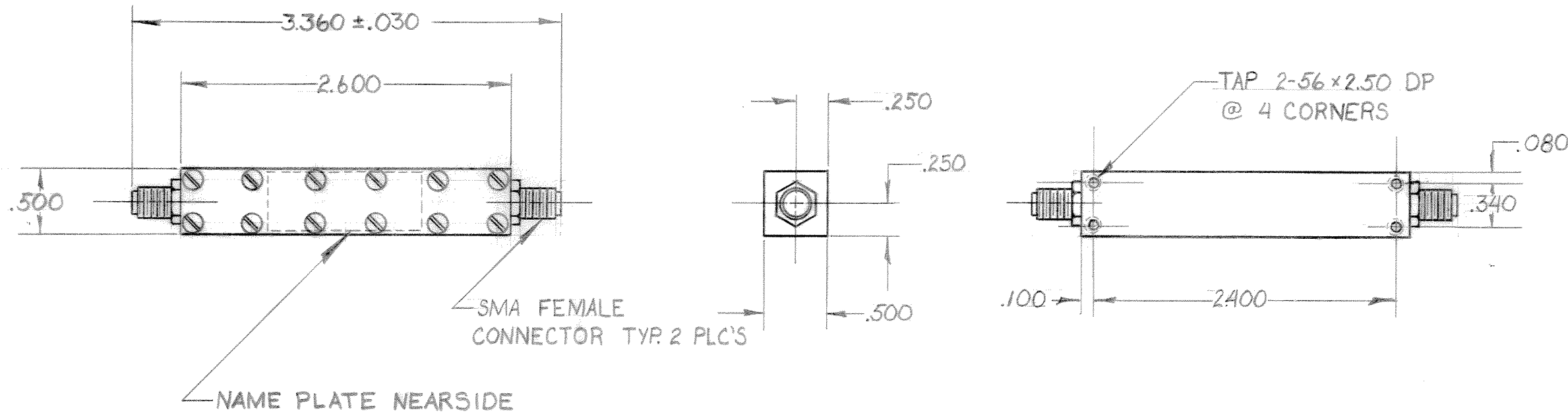


THIS DOCUMENT CONTAINS INFORMATION PROPRIETARY TO DELTA MICROWAVE. ANY REPRODUCTION OF THIS DOCUMENT WITHOUT WRITTEN PERMISSION IS EXPRESSLY PROHIBITED.

REVISIONS				
ZONE	LTR	DESCRIPTION	DATE	APPROVED
	A	RELEASED	8-28-79	RVA

SPECIFICATIONS:

PASS BAND — 9.50 to 15.95 GHz
 INSERTION LOSS — 1.0 dB MAX.
 VSWR — 1.5:1 MAX.
 60 dB REJECTION — DC-8.50 AND 16.95 to 24.00 GHz



OUTLINE DRAWING

QTY REQD	CODE IDENT	PART OR IDENTIFYING NO.	NOMENCLATURE OR DESCRIPTION	MATERIAL SPECIFICATION
PARTS LIST				
UNLESS OTHERWISE SPECIFIED DIMENSIONS ARE IN INCHES TOLERANCES ARE: FRACTIONS DECIMALS ANGLES ± .XX ± ± .XXX ±		CONTRACT NO.		DELTA MICROWAVE 755 LAKEFIELD RD. UNIT K WESTLAKE VILLAGE, CALIFORNIA 91361
MATERIAL ALUMINUM 6061-T6 QQ-A-250/11		APPROVALS DRAWN <i>T. Wood</i> CHECKED <i>R. Polk</i>	DATE 8/28/79 8-28-79	
FINISH WHITE POLYURETHANE COLOR # 17875		SIZE B		
DO NOT SCALE DRAWING		CODE IDENT NO. 51719	DRAWING NO. KUI912	SCALE :
			SHEET / OF /	