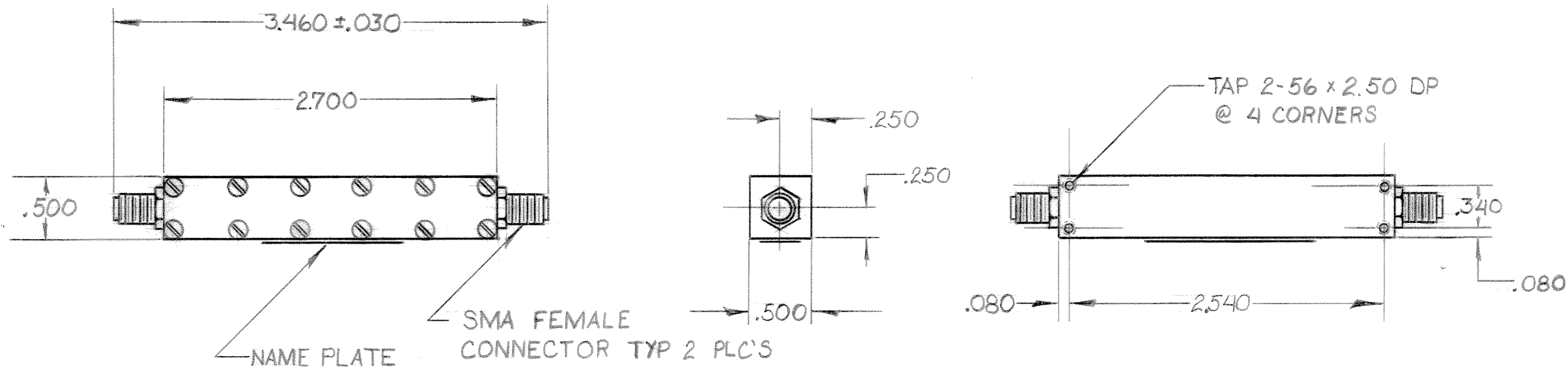


THIS DOCUMENT CONTAINS INFORMATION PROPRIETARY TO DELTA MICROWAVE. ANY REPRODUCTION OF THIS DOCUMENT WITHOUT WRITTEN PERMISSION IS EXPRESSLY PROHIBITED.

REVISIONS				
ZONE	LTR	DESCRIPTION	DATE	APPROVED
	A	RELEASED	8-28-79	<i>ATR</i>

SPECIFICATIONS:

PASS BAND — 15.45 to 17.50 GHz  
 INSERTION LOSS — 1.0 dB MAX.  
 VSWR — 1.5:1 MAX.  
 60 dB REJECTION — DC-14.45 AND 18.50 to 24.00 GHz



OUTLINE DRAWING

QTY REQD	CODE IDENT	PART OR IDENTIFYING NO.	NOMENCLATURE OR DESCRIPTION	MATERIAL SPECIFICATION
PARTS LIST				
UNLESS OTHERWISE SPECIFIED DIMENSIONS ARE IN INCHES TOLERANCES ARE: FRACTIONS DECIMALS ANGLES ± .XX ± ± .XXX ±		CONTRACT NO.		<b>DELTA MICROWAVE</b> <small>755 LAKEFIELD RD. UNIT K          WESTLAKE VILLAGE, CALIFORNIA 91361</small>
MATERIAL ALUMINUM 6061-T6 QQ-A-250/11		APPROVALS	DATE	
FINISH WHITE POLYURETHANE COLOR #17875		<i>VJ Wood</i>	8/28/79	
DO NOT SCALE DRAWING		CHECKED	8-28-79	<b>BAND PASS FILTER</b>
		SIZE	CODE IDENT NO.	DRAWING NO.
		<b>B</b>	<b>51719</b>	KU1913
		SCALE	:	SHEET
		:	:	OF