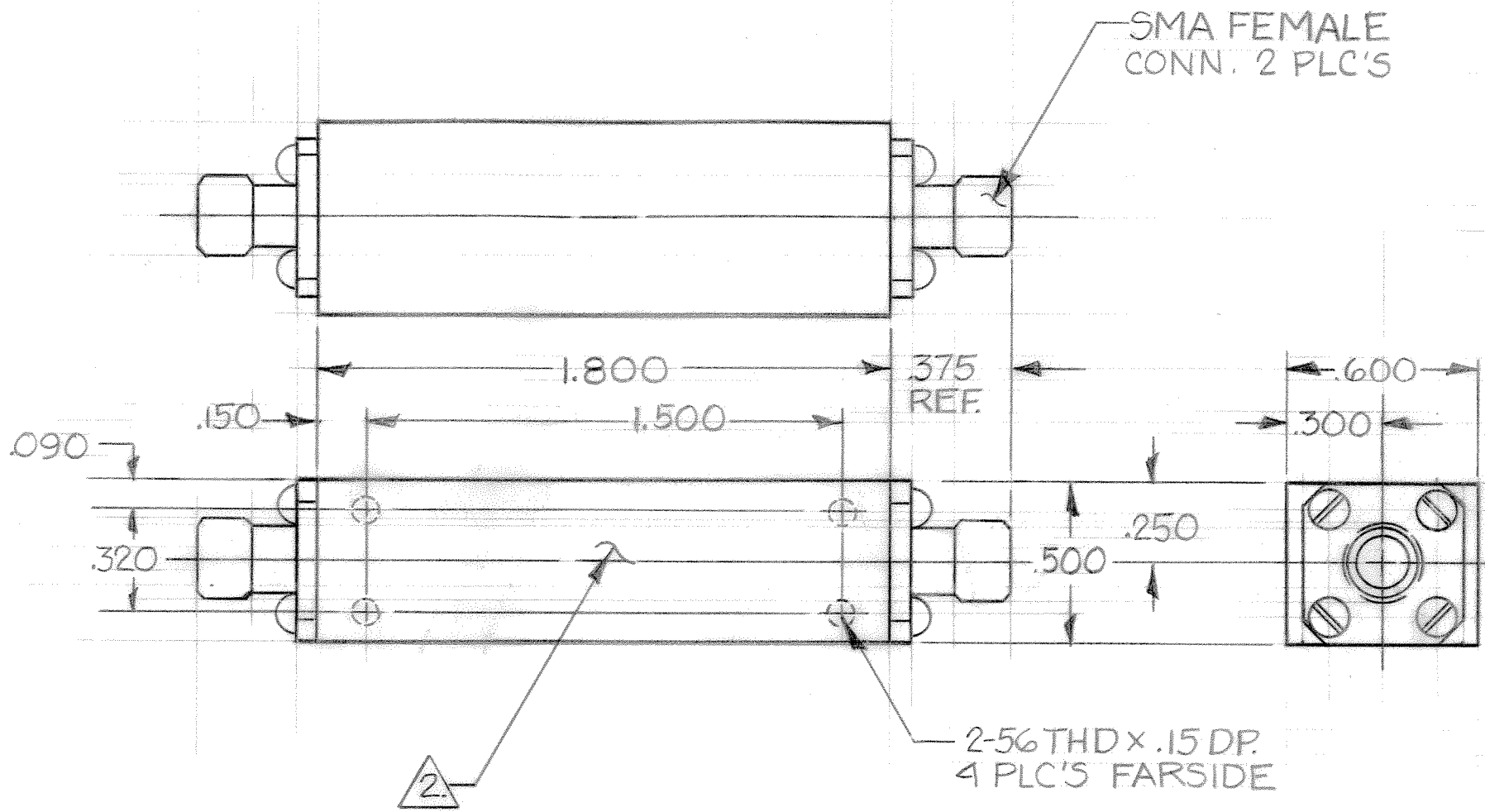


THIS DOCUMENT CONTAINS INFORMATION PROPRIETARY TO DELTA MICROWAVE. ANY REPRODUCTION OF THIS DOCUMENT WITHOUT WRITTEN PERMISSION IS EXPRESSLY PROHIBITED.

REVISIONS				
ZONE	LTR	DESCRIPTION	DATE	APPROVED
	A	RELEASED	9-8-82	<i>[Signature]</i>
	B	E.C.O.# 101207	11-15-83	<i>[Signature]</i>

**SPECIFICATIONS**

Passband : 7.75 to 18.25 GHz  
 Passband Insertion Loss : 1.25 dB MAX.  
 Passband VSWR : 2.0:1 MAX  
 Stopband Reject : 60 dB MIN. @ DC-4.4 GHz  
 25 dB MIN. @ 20-24 GHz



SMA FEMALE  
CONN. 2 PLC'S

2-56 THD x .15 DP.  
4 PLC'S FAR SIDE

△ MARK MODEL AND SERIAL NO. WITH BLACK WORNOW INK.  
 1. FINISH: LT. GREY POLYURETHANE PAINT OVER PRIMER  
 MASK CONNECTORS  
 NOTES:

QTY REQD	CODE IDENT	PART OR IDENTIFYING NO.	NOMENCLATURE OR DESCRIPTION	MATERIAL SPECIFICATION
PARTS LIST				
UNLESS OTHERWISE SPECIFIED DIMENSIONS ARE IN INCHES TOLERANCES ARE: FRACTIONS DECIMALS ANGLES ± 1/64 .XX ± .01 ± 1/2° .XXX ± .005		CONTRACT NO.	<b>DELTA MICROWAVE</b> 840 VIA ALONDRA CAMARILLO, CALIFORNIA 93010	
APPROVALS		DATE	<b>BANDPASS FILTER OUTLINE DRAWING</b>	
DRAWN <i>J. Alvey</i>		9-8-72		
MATERIAL		CHECKED <i>R.V. Reed</i>	DATE	<b>SIZE</b> <b>B</b>
FINISH △			9-8-72	
DO NOT SCALE DRAWING			CODE IDENT NO.	DRAWING NO.
			<b>51719</b>	<b>KU 1917</b>
		SCALE		SHEET OF