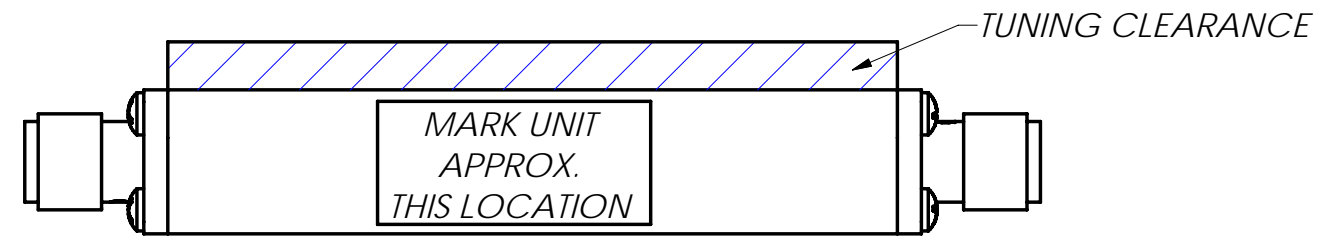
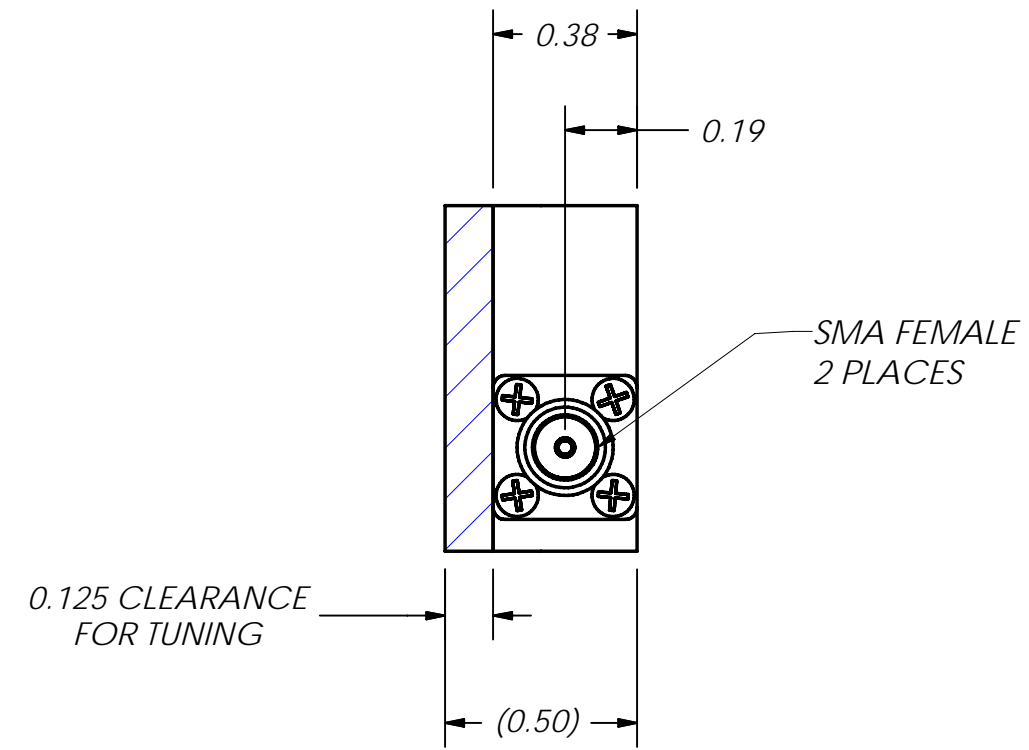
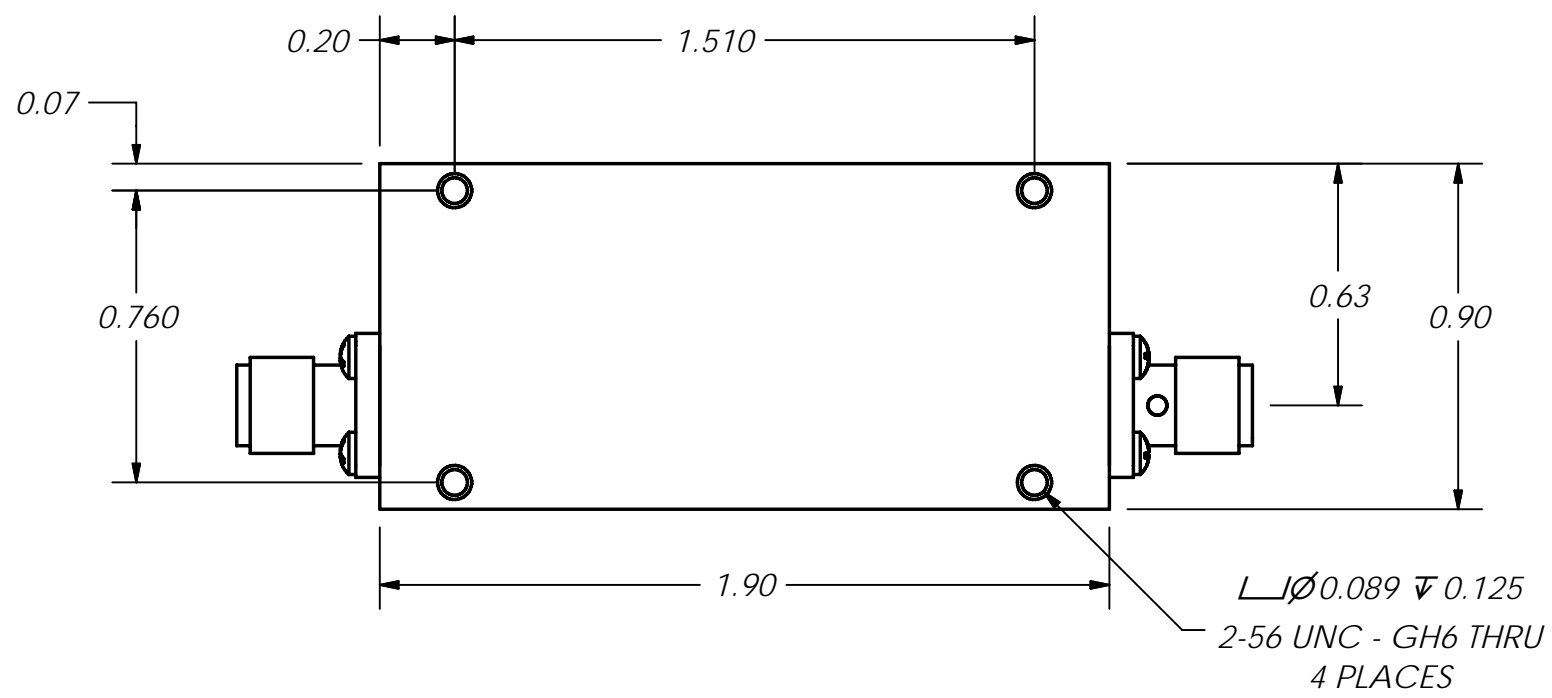


THIS DOCUMENT CONTAINS INFORMATION PROPRIETARY TO DELTA MICROWAVE. ANY REPRODUCTION WITHOUT WRITTEN PERMISSION IS EXPRESSLY PROHIBITED.

ZONE	REV	DESCRIPTION	DATE	APPROVED
	A	FIRST ENG. RELEASE	07/12/07	D.R.B.
	B	ECO#107324	08/06/07	




2. MARKING: USING LABEL OR BLACK WORNOW INK TO INCLUDE:
DELTA MICROWAVE, MODEL NO., SERIAL NO.,
CODE IDENT. NO. 51719 AND DATE CODE

1: FINISH: HAZE GRAY EPOXY POLYAMIDE TOPCOAT
PER MIL-DTL-24441C, SUP.1
MIL-DTL-24441/21, TYP 3, FORMULA 151
USING GREEN EPOXY POLYAMIDE PRIMER
MIL-DTL-24441/20, TYP 3, FORMULA 150

NOTES:

UNLESS OTHERWISE SPECIFIED DIMENSIONS ARE IN INCHES TOLERANCES ARE:			CONTRACT NO. <i>Ku1959</i>	
FRACTIONS	DECIMALS	ANGLES	APPROVALS	DATE
+	.xx ± .03	+	DRAWN	07/12/07
-	.xxx ± .010	-	J.A. DE HORTA	
MATERIAL			REVISED	
FINISH			CHECKED	
USED ON MODEL#			APPROVED	
DO NOT SCALE DRAWING				

 Delta Microwave Inc. 1301 VANGUARD DRIVE OXNARD, CA 93033		
TITLE		
<i>Ku1959 OUTLINE</i>		
SIZE	CODE IDENT NO.	DWG NO
B	51719	<i>Ku1959</i>
SCALE 2:1	SHEET 1 OF 1	