



Model Number Ku1967 Broadband Suppression Filter

Rev. C
03/08/13

Features:

- Miniature
- Ultra Broadband Stopband

Applications:

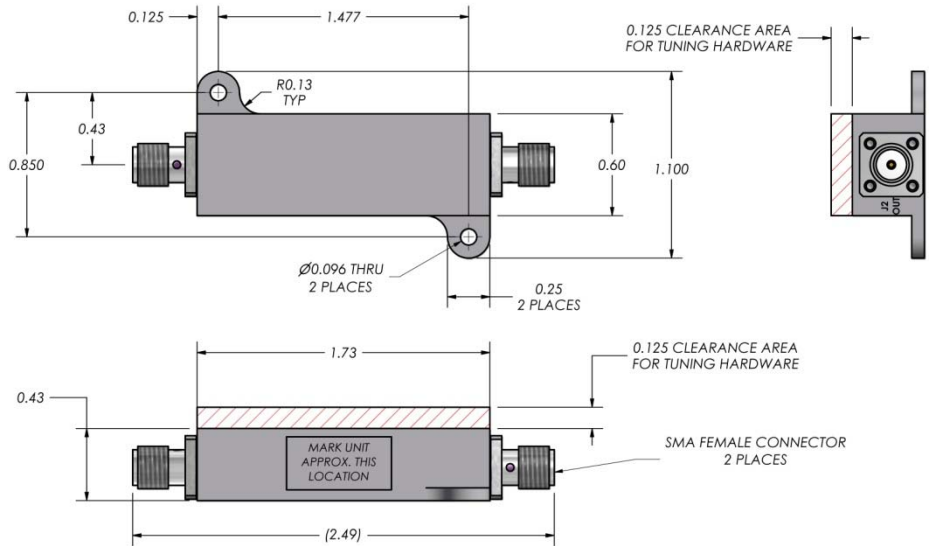
- Tactical Common Data Link (TCDL)
- Test Equipment

Package Size:

- 0.4" x 0.6" x 1.7"
(Please see outline for exact dimensions)

Weight:

- 0.94 oz., 0.06 lb.



Specifications: (+25° C)

Passband	14400 to 15400 MHz
Insertion Loss	0.7 dB Maximum
VSWR	1.5:1 Maximum
Rejection	60 dB below 12700 MHz 30 dB at 13500 MHz 30 dB at 16800 MHz 60 dB from 29000 to 40000 MHz
Connectors	SMA Female per MIL-C-39012



Delta Microwave

300 Del Norte Blvd. Phone: 805.751.1100 email: sales@deltamicrowave.com
Oxnard, CA. 93030 Fax: 805.240.9544 www.deltamicrowave.com

Delta Microwave's Quality Management System has been assessed by NSF-ISR and found to be in conformance with AS9100:2009, Rev. C. Delta Microwave reserves the right to change specifications without notice. Please verify specification revision letter upon order placement.

Written By	Approved By