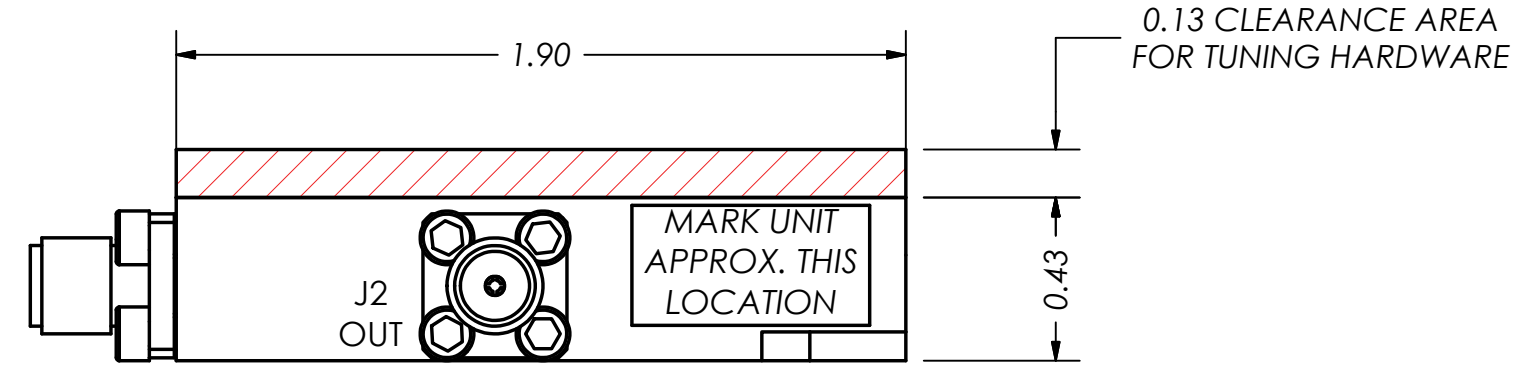
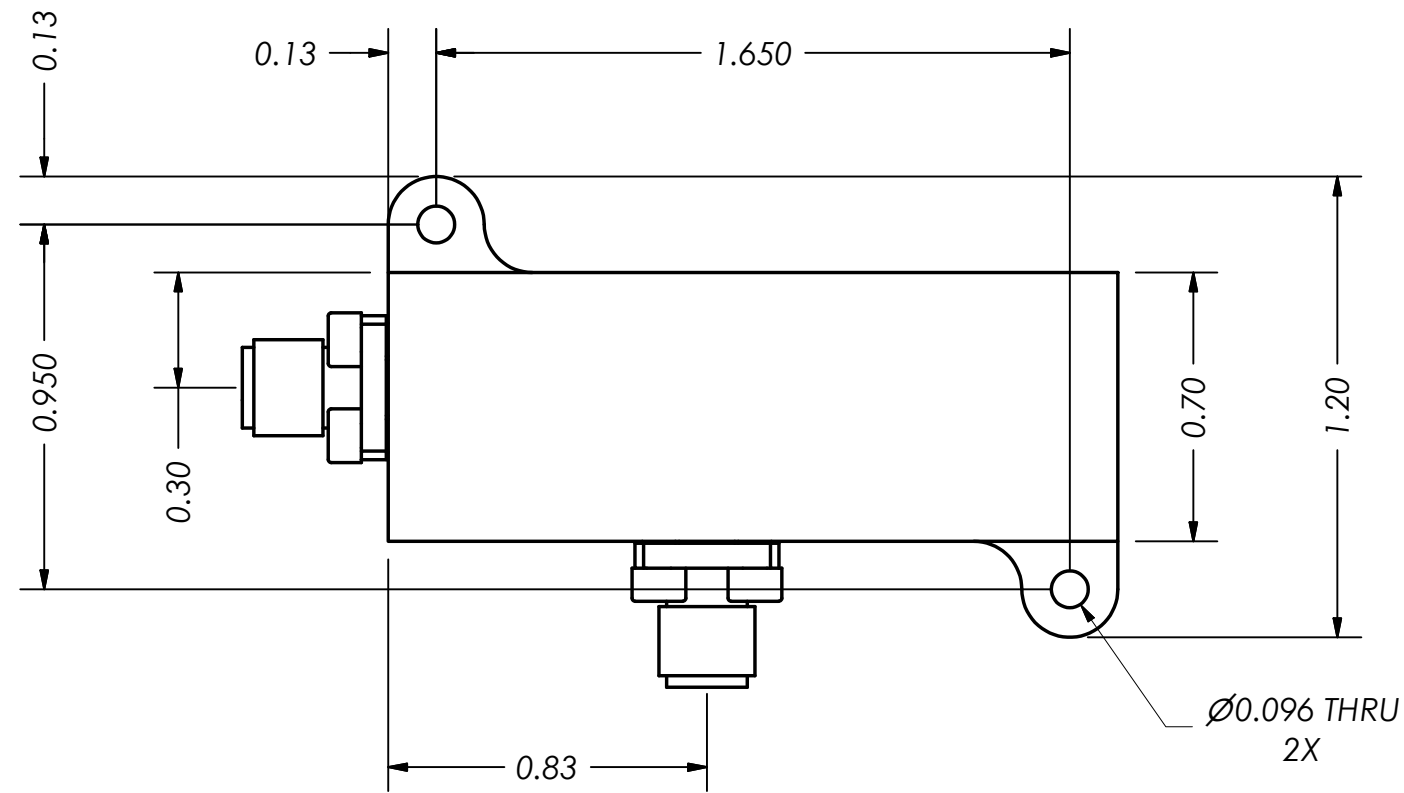
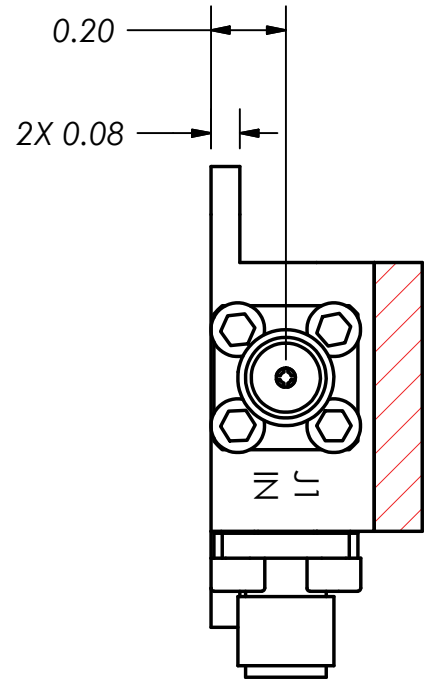


THIS DOCUMENT CONTAINS INFORMATION PROPRIETARY TO DELTA MICROWAVE. ANY REPRODUCTION WITHOUT WRITTEN PERMISSION IS EXPRESSLY PROHIBITED.


CUST. APPROVAL	ZONE	REV	DESCRIPTION	DATE	APPROVED
		A	RELEASED TO PRODUCTION	01/21/11	



2. MARKING: USING LABEL OR BLACK WORNOW INK TO INCLUDE:
DELTA MICROWAVE, MODEL NO., SERIAL NO.,
CODE IDENT. NO. 51719 AND DATE CODE

1: FINISH: HAZE GRAY EPOXY POLYAMIDE TOPCOAT
PER MIL-DTL-24441C, SUP.1
MIL-DTL-24441/21, TYP 3, FORMULA 151
USING GREEN EPOXY POLYAMIDE PRIMER
MIL-DTL-24441/20, TYP 3, FORMULA 150

NOTES:

UNLESS OTHERWISE SPECIFIED DIMENSIONS ARE IN INCHES TOLERANCES ARE: FRACTIONS DECIMALS ANGLES + .xx ± .03 + - .xxx ± .010 -	CONTRACT NO.	Ku1967		 Delta Microwave Inc. 300 Del Norte Boulevard Oxnard CA. 93030		
	APPROVALS	DATE				
	MATERIAL	DRAWN	D.F.ESTABROOK	01/21/11	TITLE	Ku1967
	FINISH	REVIS	CHECKED	APPROVED	SIZE	B
USED ON MODEL#	DO NOT SCALE DRAWING	INTERPRET DRAWINGS PER ASME Y14.100 and ASME Y14.24	CODE IDENT NO.	51719	DWG NO	Ku1967
			SCALE	2:1	SHEET	1 OF 1