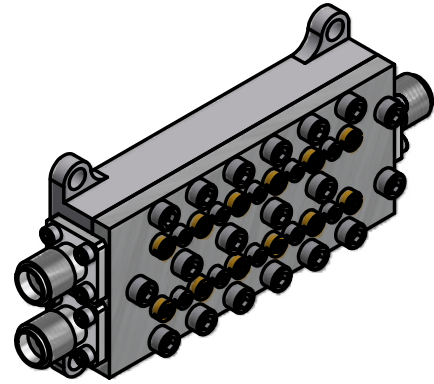
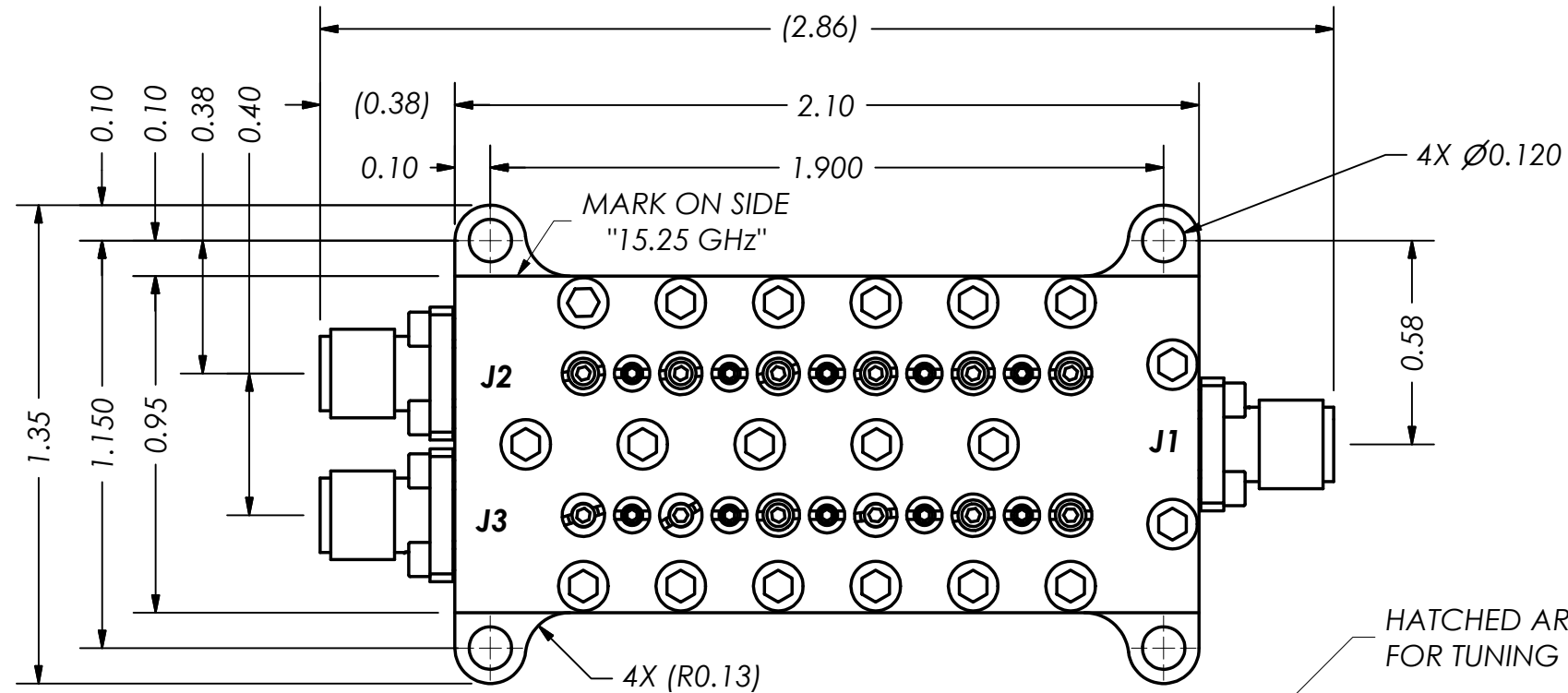


THIS DOCUMENT CONTAINS INFORMATION PROPRIETARY TO DELTA MICROWAVE. ANY REPRODUCTION WITHOUT WRITTEN PERMISSION IS EXPRESSLY PROHIBITED.

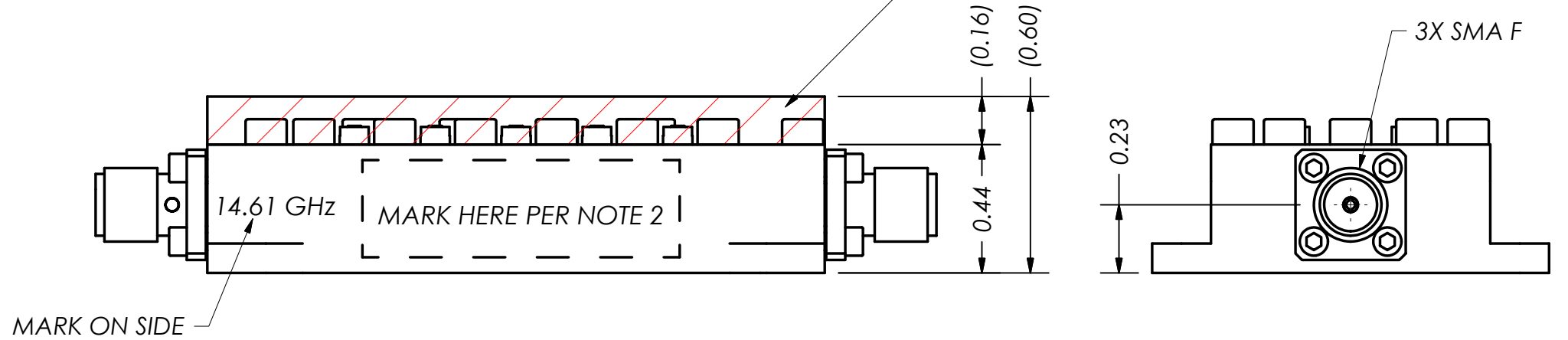
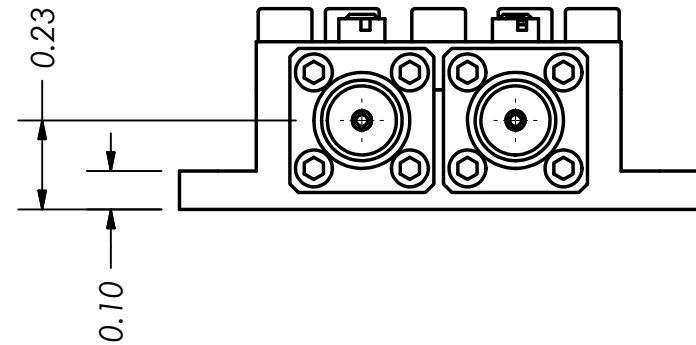
CUST. APPROVAL	ZONE	REV	DESCRIPTION	DATE	APPROVED
		A	RELEASE TO PRODUCTION	3/7/11	DRB
		B	ECO# 108705	03/29/11	DRB
		C	ECO# 109083	11/21/11	



ISO VIEW
NOT TO SCALE



HATCHED AREA IS CLEARANCE FOR TUNING HARDWARE



3. WEIGHT: 1.6 OZ.

2. MARKING: USING LABEL OR BLACK WORNOW INK TO INCLUDE:
DELTA MICROWAVE, MODEL NO., SERIAL NO.,
CODE IDENT. NO. 51719 AND DATE CODE

1: FINISH: HAZE GRAY EPOXY POLYAMIDE TOPCOAT
PER MIL-DTL-24441C, SUP.1
MIL-DTL-24441/21, TYP 3, FORMULA 151
USING GREEN EPOXY POLYAMIDE PRIMER
MIL-DTL-24441/20, TYP 3, FORMULA 150

NOTES:

UNLESS OTHERWISE SPECIFIED DIMENSIONS ARE IN INCHES TOLERANCES ARE: FRACTIONS DECIMALS ANGLES + .xx ± .03 + - .xxx ± .010 -			CONTRACT NO. Ku5606	
MATERIAL			APPROVALS	DATE
FINISH			DRAWN MIKE THOMPSON	3/1/11
USED ON MODEL#			REVISED J.GAVLIK	11/21/11
DO NOT SCALE DRAWING			CHECKED	APPROVED
			INTERPRET DRAWINGS PER ASME Y14.100 and ASME Y14.24	

Delta Microwave Inc. 300 Del Norte Boulevard Oxnard CA. 93030		
SIZE	CODE IDENT NO.	DWG NO
B	51719	Ku5606
SCALE 2:1		SHEET 1 OF 1