



Model Number Ku5937 Diplexer

Rev. B
03/08/13

Features:

- Cavity Design
- Compact, Small
- Low Loss

Applications:

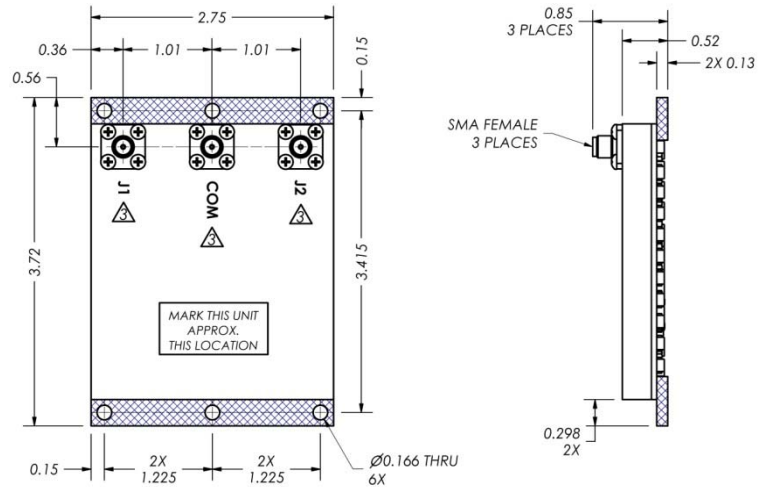
- Tactical Common Data Link (TCDL)
- Test Equipment

Package Size:

- 0.5" x 2.75" x 3.8"
(Please see outline for exact dimensions)

Weight:

- 4.5 oz., 0.28 lb.



Specifications: (+25° C)	Channel 1	Channel 2
Passband	14400 to 14830 MHz	15150 to 15350 MHz
Insertion Loss	1.5 dB Maximum	1.6 dB Maximum
VSWR	1.5:1 Maximum	1.5:1 Maximum
Rejection	45 dB from 8500 to 12000 MHz 80 dB from 13320 to 14150 MHz 110 dB from 15150 to 15350 MHz	45 dB from 8000 to 12000 MHz 110 dB from 14400 to 14830 MHz 80 dB from 15650 to 1595 MHz
Ch. to Ch. Isolation	110 dB Minimum	110 dB Minimum
Group Delay Variation	3.5 ns Maximum	2.5 ns Maximum
Power Handling	+40 dBm Maximum	
Connectors	SMA Female per MIL-C-39012	
Operating Temp.	-40° to +85° C	
Operating Alt.	40,000 feet	



Delta Microwave

300 Del Norte Blvd. Phone: 805.751.1100 email: sales@deltamicrowave.com
Oxnard, CA. 93030 Fax: 805.240.9544 www.deltamicrowave.com

Delta Microwave's Quality Management System has been assessed by NSF-ISR and found to be in conformance with AS9100:2009, Rev. C. Delta Microwave reserves the right to change specifications without notice. Please verify specification revision letter upon order placement.

Written By	Approved By