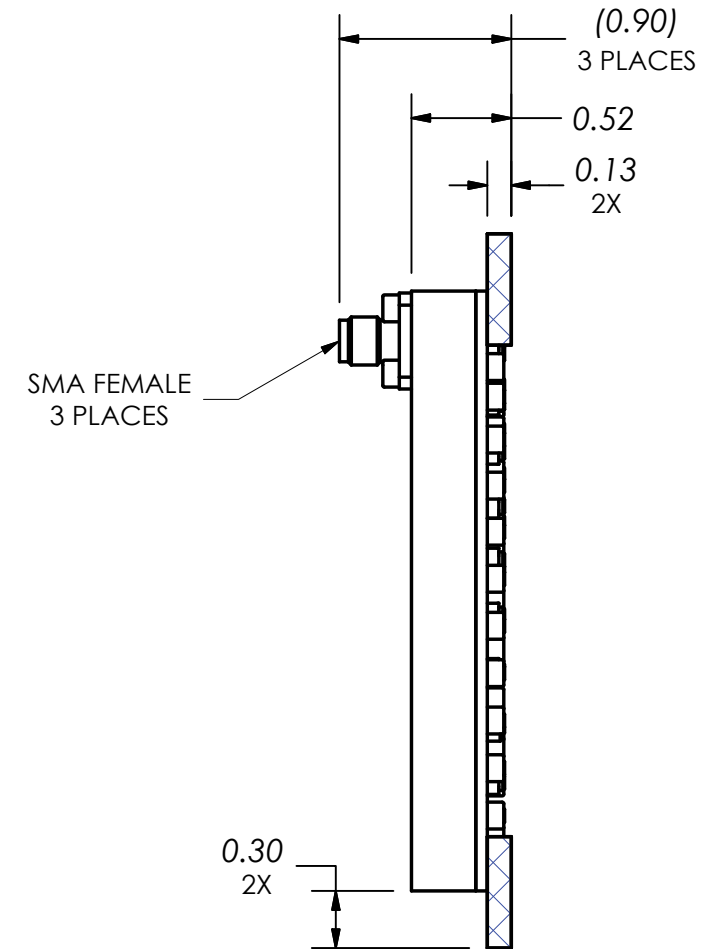
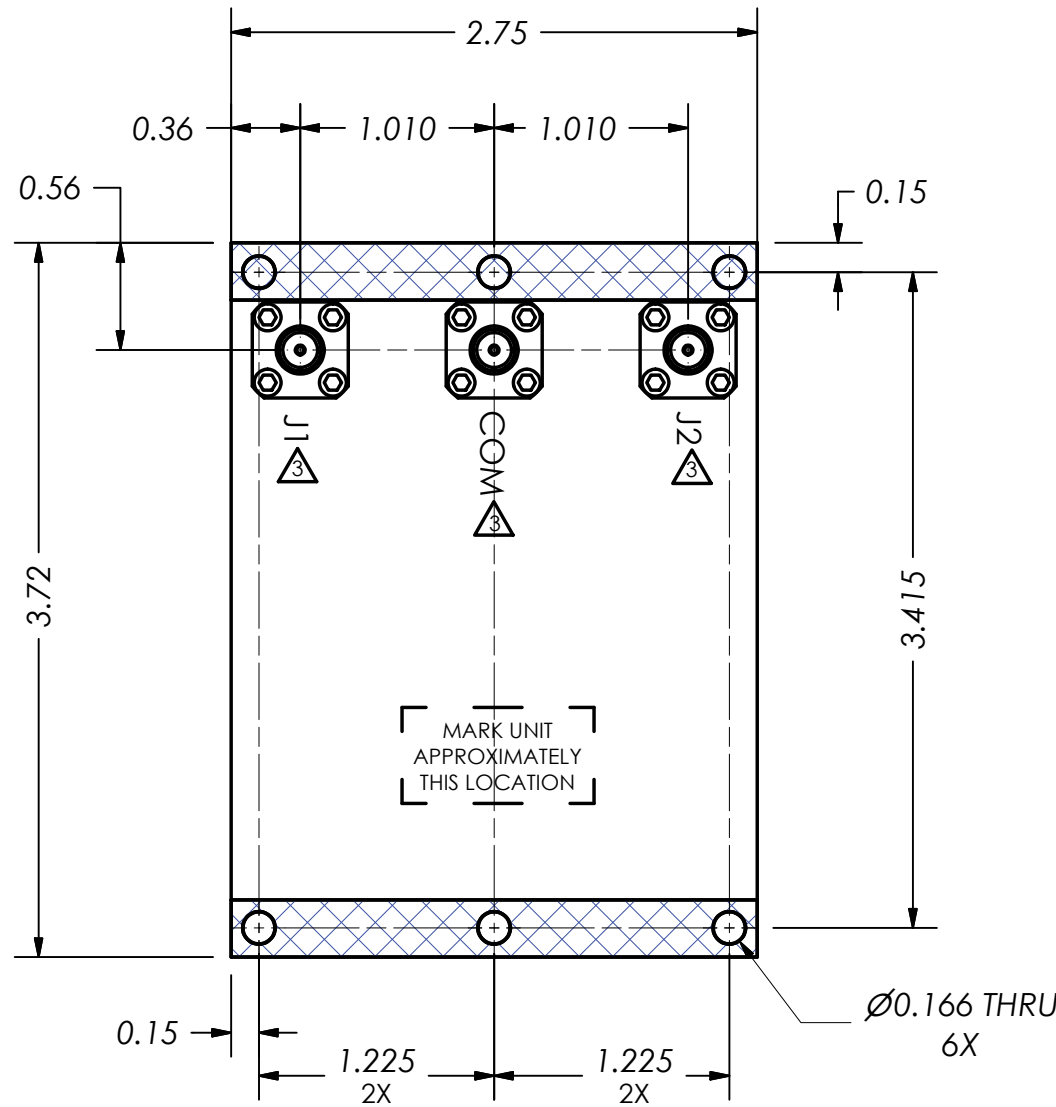


THIS DOCUMENT CONTAINS INFORMATION PROPRIETARY TO DELTA MICROWAVE. ANY REPRODUCTION WITHOUT WRITTEN PERMISSION IS EXPRESSLY PROHIBITED.


CUST. APPROVAL	ZONE	REV	DESCRIPTION	DATE	APPROVED
		A	INITIAL RELEASE	01/09/12	R.SCHULZ
		B	ECO # 109498	02/05/13	



3. MARKING: USING WHITE EPOXY INK REFERENCE DESIGNATORS J1,COM,J2 AS SHOWN.

2. MARKING: USING LABEL OR WHITE EPOXY INK TO INCLUDE:
DELTA MICROWAVE,MODEL NO.,SERIAL NO.,
CODE IDENT. NO. 51719 AND DATE CODE

1: FINISH: PRIME AND PAINT PER MIL-STD-7179
TOPCOAT BLACK(PER FED-STD-595 COLOR 37038 OR 27038)
POLYURETHANE PAINT PER MIL-PRF-85285,TYPE 1
USING WASH PRIMER PER DOD-P-15328 COATED WITH
EPOXY PRIMER PER MIL-P-53022

THESE HATCED AREAS  CHEMFILM PER MIL-DTL-5541 CURRENT REVISION CIASS 3,TYPE 1 COLOR YELLOW.

NOTES:

UNLESS OTHERWISE SPECIFIED
DIMENSIONS ARE IN INCHES
TOLERANCES ARE:
FRACTIONS DECIMALS ANGLES
+ .xx ± .03 + 1°
- .xxx ± .010 -

CONTRACT NO. **KU5937**

APPROVALS DATE
DRAWN J.GAVLIK 01/09/12

REVISED R.SARRUCA 02/05/13

CHECKED

APPROVED

INTERPRET DRAWINGS PER
ASME Y14.100 and ASME Y14.24



Delta Microwave Inc.

300 Del Norte Boulevard Oxnard CA. 93030

TITLE

OUTLINE

SIZE

B

CODE IDENT NO.

51719

DWG NO

001-0026

SCALE 1:1

SHEET

1

OF

1

USED ON MODEL#

DO NOT SCALE DRAWING