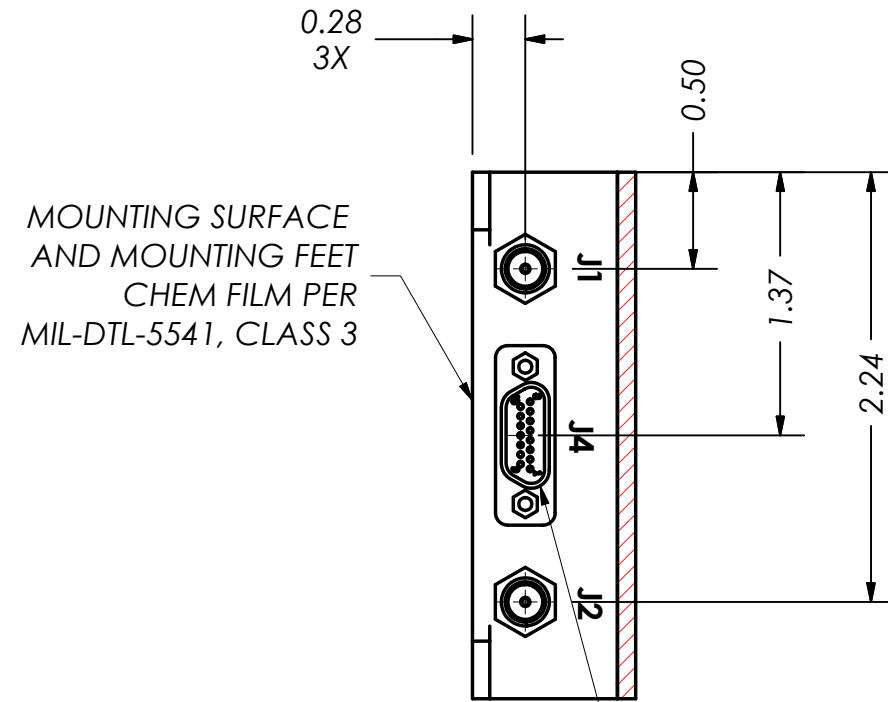
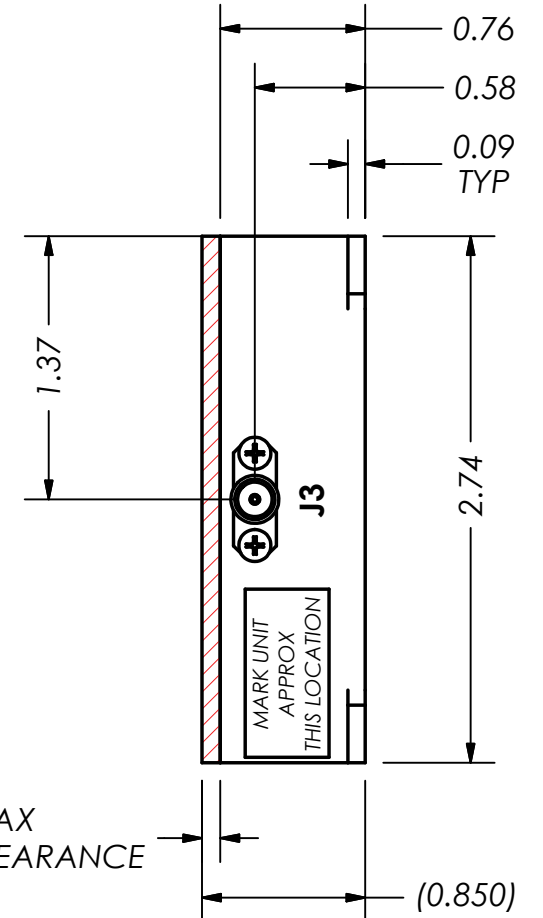
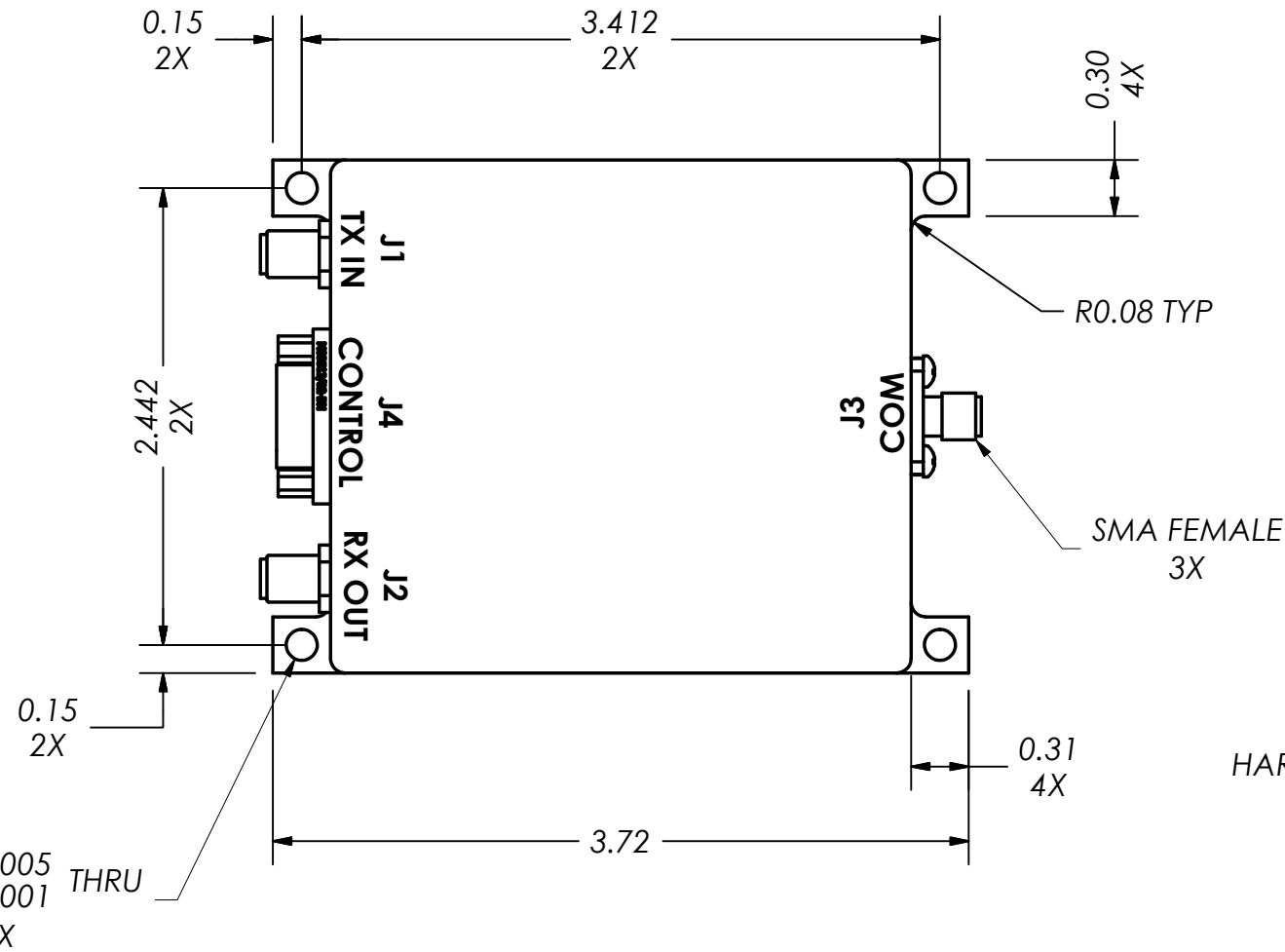


THIS DOCUMENT CONTAINS INFORMATION PROPRIETARY TO DELTA MICROWAVE. ANY REPRODUCTION WITHOUT WRITTEN PERMISSION IS EXPRESSLY PROHIBITED.

CUST. APPROVAL	ZONE	REV	DESCRIPTION	DATE	APPROVED
		-	PRELIMINARY RELEASE	06/06/12	




15 PIN MICRO D-SUB M83513/02-BN OR EQUIVALENT



3. MARKING: USING WHITE EPOXY INK REFERENCE DESIGNATORS J1, J2, J3/COM, AND J4 AS SHOWN
2. MARKING: USING LABEL OR WHITE EPOXY INK TO INCLUDE: DELTA MICROWAVE, MODEL NO., SERIAL NO., CODE IDENT. NO. 51719 AND DATE CODE
1. FINISH: PRIME AND PAINT PER MIL-STD-7179  
TOP COAT BLACK (PER FED-STD-595 COLOR 37038 OR 27038)  
POLYURETHANE PAINT PER MIL-PRF-85285, TYPE 1  
USING WASH PRIMER PER DOD-P-15328 COATED WITH EPOXY PRIMER PER MIL-P-53022

NOTES:

UNLESS OTHERWISE SPECIFIED DIMENSIONS ARE IN INCHES TOLERANCES ARE: FRACTIONS    DECIMALS    ANGLES +                .xx ± .03                + 1° -                .xxx ± .010              -	CONTRACT NO. <b>KU5942</b>			<b>Delta Microwave Inc.</b>		
	APPROVALS			300 Del Norte Boulevard Oxnard CA. 93030		
	DRAWN D.F. ESTABROOK		DATE 06/06/12	TITLE <b>OUTLINE</b>		
	MATERIAL		REVISED	SIZE    CODE IDENT NO.    DWG NO		
FINISH		CHECKED	<b>B</b>	<b>51719</b>	<b>KU5942</b>	
USED ON MODEL#		APPROVED	SCALE 1:1    SHEET 1 OF 1			
DO NOT SCALE DRAWING		INTERPRET DRAWINGS PER ASME Y14.100 and ASME Y14.24				