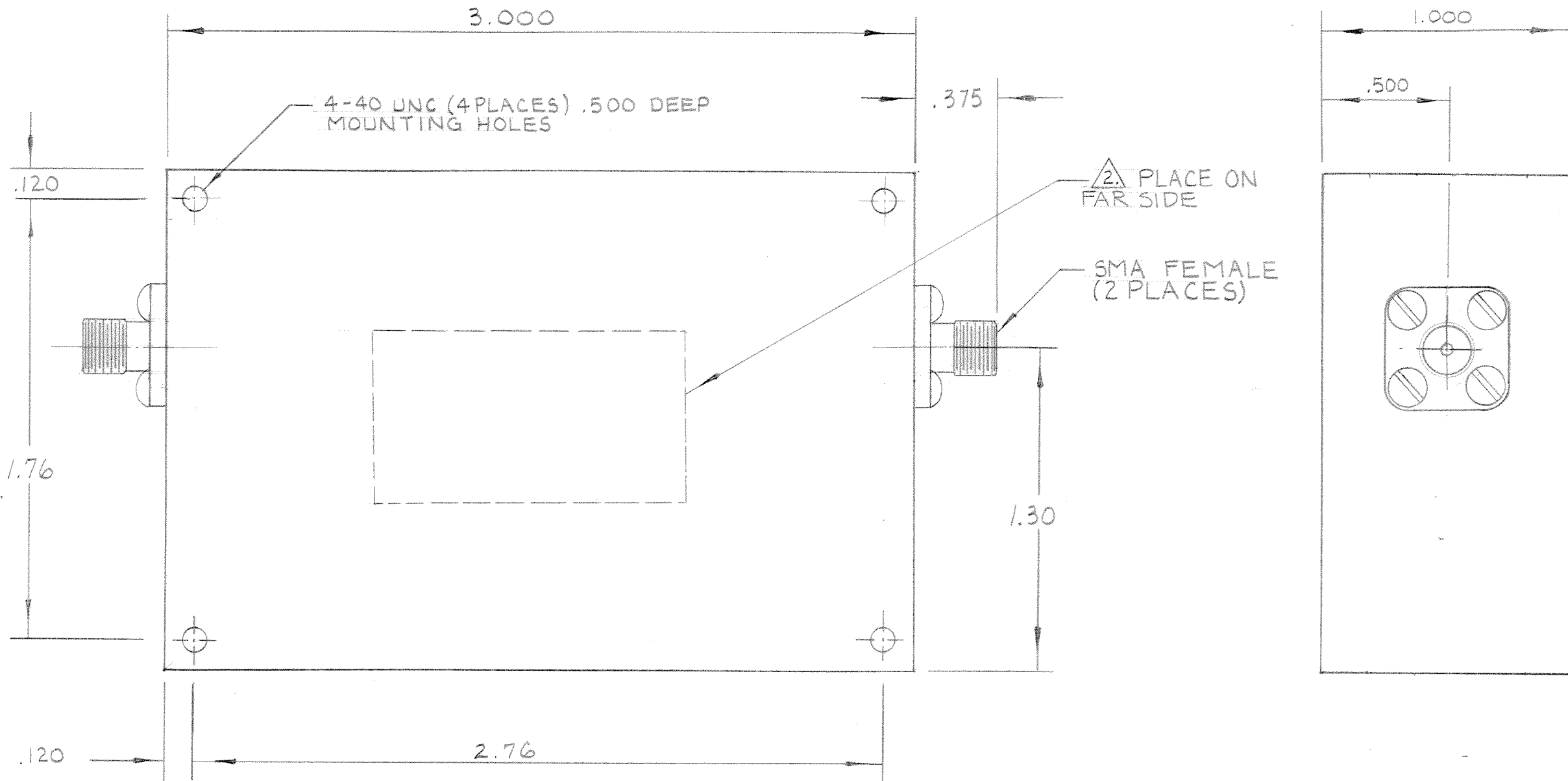


THIS DOCUMENT CONTAINS INFORMATION PROPRIETARY TO DELTA MICROWAVE. ANY REPRODUCTION OF THIS DOCUMENT WITHOUT WRITTEN PERMISSION IS EXPRESSLY PROHIBITED.

REVISIONS				
ZONE	LTR	DESCRIPTION	DATE	APPROVED
	A	RELEASED	3-14-81	<i>[Signature]</i>



2. MARKING: USING BLACK WORNOW INK DELTA MICROWAVE 51719 MODEL # U1915 DATE CODE 12/81

1. FINISH: GREY POLYURETHANE COATING PER MIL-C-81773 OVER EPOXY PRIMER PER MIL-P-23377 MASK CONNECTORS AND MTG HOLES.

NOTES:

QTY REQD	CODE IDENT	PART OR IDENTIFYING NO.	NOMENCLATURE OR DESCRIPTION	MATERIAL SPECIFICATION								
PARTS LIST												
UNLESS OTHERWISE SPECIFIED DIMENSIONS ARE IN INCHES TOLERANCES ARE: FRACTIONS DECIMALS ANGLES $\pm \frac{1}{64}$.XX $\pm .010$ $\pm \frac{1}{2}^\circ$.XXX $\pm .005$			<table border="1"> <tr> <td colspan="2">CONTRACT NO. L1318</td> </tr> <tr> <td>APPROVALS</td> <td>DATE</td> </tr> <tr> <td>DRAWN DANIEL</td> <td>3-17-81</td> </tr> <tr> <td>CHECKED <i>[Signature]</i></td> <td>3-18-81</td> </tr> </table>		CONTRACT NO. L1318		APPROVALS	DATE	DRAWN DANIEL	3-17-81	CHECKED <i>[Signature]</i>	3-18-81
CONTRACT NO. L1318												
APPROVALS	DATE											
DRAWN DANIEL	3-17-81											
CHECKED <i>[Signature]</i>	3-18-81											
MATERIAL 6061-T6 ΦΦ-A-250/11			<table border="1"> <tr> <td colspan="2" style="text-align: center;">DELTA MICROWAVE</td> </tr> <tr> <td colspan="2" style="text-align: center;">755 LAKEFIELD RD. UNIT K WESTLAKE VILLAGE, CALIFORNIA 91361</td> </tr> <tr> <td colspan="2" style="text-align: center;">BANDPASS FILTER</td> </tr> </table>		DELTA MICROWAVE		755 LAKEFIELD RD. UNIT K WESTLAKE VILLAGE, CALIFORNIA 91361		BANDPASS FILTER			
DELTA MICROWAVE												
755 LAKEFIELD RD. UNIT K WESTLAKE VILLAGE, CALIFORNIA 91361												
BANDPASS FILTER												
FINISH NOTES 1.			SIZE B	CODE IDENT NO. 51719								
DO NOT SCALE DRAWING			DRAWING NO. L1318									
			SCALE 2:1	SHEET 1 OF 1								