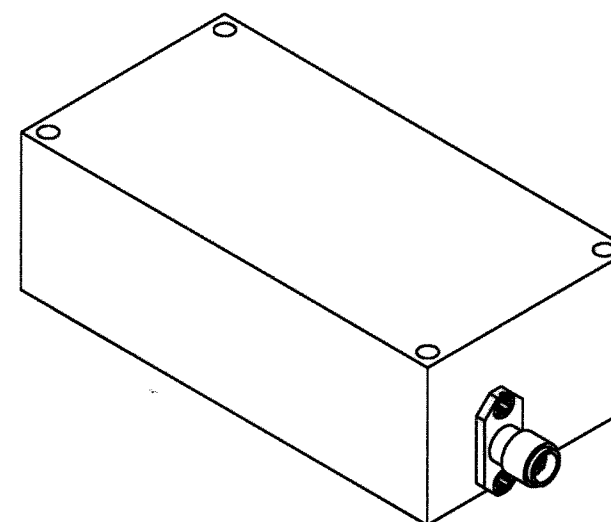
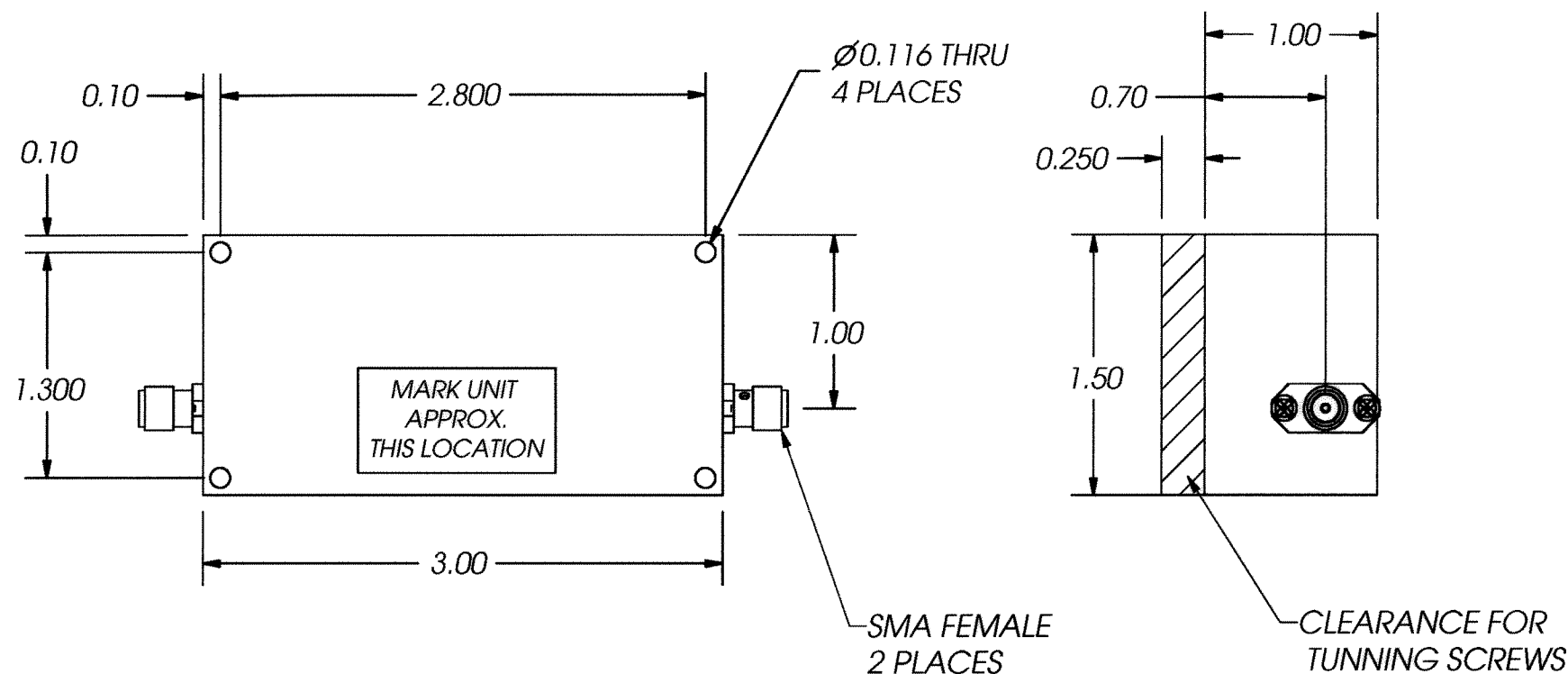


THIS DOCUMENT CONTAINS INFORMATION PROPRIETARY TO DELTA MICROWAVE. ANY REPRODUCTION WITHOUT WRITTEN PERMISSION IS EXPRESSLY PROHIBITED.

ZONE	REV	DESCRIPTION	DATE	APPROVED
	A	RELEASED	10/07/03	B



2. MARKING: USING CLEAR LABEL WITH BLACK CHARACTERS TO INCLUDE
DELTA MICROWAVE, MODEL NO., SERIAL NO.
CODE INDENT. NO.51719 AND DATE CODE

1. FINISH: HAZE GRAY EPOXY POLYAMIDE TOPCOAT
PER MIL-P-24441B TYP. 1
(AS) COLOR NO.26270, FORMULA 151
PER MIL-P-24441/1C, QPL 24441-103
USING EPOXY POLYAMID PRIMER
PER MIL-P-2441 B TYP.1 24272 GREEN
FORMULA 150 PER MIL-P-24441/1C, QPL 24441-103

NOTES:

UNLESS OTHERWISE SPECIFIED
DIMENSIONS ARE IN INCHES
TOLERANCES ARE:
FRACTIONS DECIMALS ANGLES
+ .xx ± .01 +
- .xxx ± .005 -

CONTRACT NO. L1341

APPROVALS DATE

DRAWN J.A.DEHORTA 10/07/03

REVISED

CHECKED J.F. ESTABROOK 10/14/03

APPROVED JCB B 10/15/03

MATERIAL

FINISH

USED ON MODEL# DO NOT SCALE DRAWING

DELTA MICROWAVE
1301 VANGUARD DRIVE OXNARD, CA 93033

TITLE
L1341-1 OUTLINE

SIZE B CODE IDENT NO. 51719 DWG NO. L1341-1

SCALE 2:1 SHEET 1 OF 1