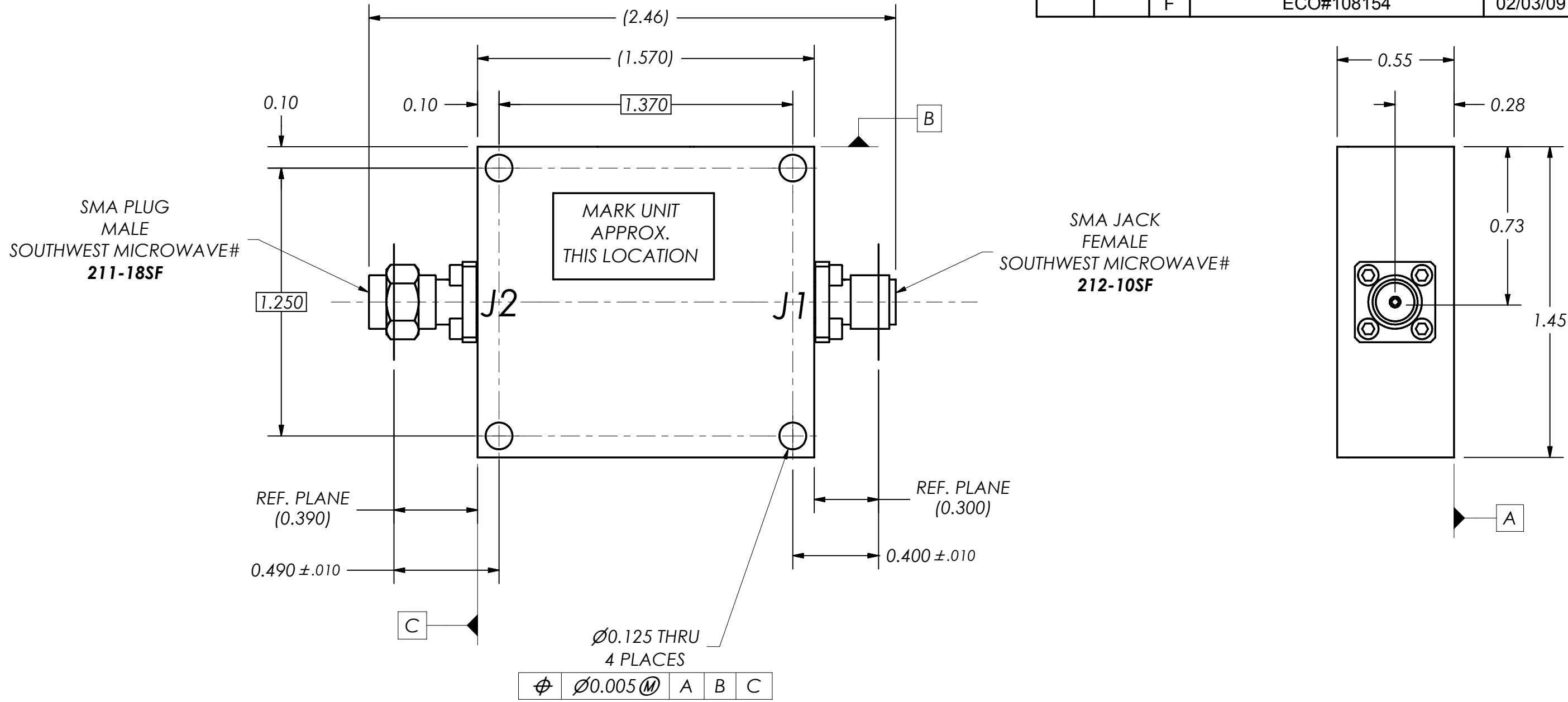


THIS DOCUMENT CONTAINS INFORMATION PROPRIETARY TO DELTA MICROWAVE. ANY REPRODUCTION WITHOUT WRITTEN PERMISSION IS EXPRESSLY PROHIBITED.


CUST. APPROVAL	ZONE	REV	DESCRIPTION	DATE	APPROVED
		A	RELEASED	11/24/09	D.R.B
		B	ECO#108078	12/03/09	D.R.B.
		C	ECO#108081	12/08/09	D.R.B.
		D	ECO#108092	12/09/09	D.R.B.
		E	ECO#108095	12/15/09	D.R.B.
		F	ECO#108154	02/03/09	



2. MARKING: USING WHITE INK (HYSOL 50-100R/CAT9 AS 100/6 BM WHITE) OR EQUIVALENT: MARK PER CUSTOMER SCD AND CONTRACT

1: FINISH: TWO PART AEROGLAZE 9924 WASH PRIMER, CHEMGLAZE Z306, FLAT BLACK POLYURETHANE

NOTES:

UNLESS OTHERWISE SPECIFIED DIMENSIONS ARE IN INCHES TOLERANCES ARE:		CONTRACT NO. L1355		 Delta Microwave Inc. 300 Del Norte Boulevard Oxnard CA. 93030	
FRACTIONS	DECIMALS	ANGLES	APPROVALS		
+	.xx ± .03	+	DRAWN	11/24/09	TITLE
-	.xxx ± .010	-	J.A. DE HORTA		L1355 OUTLINE
MATERIAL		REVISED		SIZE	
FINISH		CHECKED		B	CODE IDENT NO. 51719
USED ON MODEL#		APPROVED		DWG NO. L1355	
DO NOT SCALE DRAWING		INTERPRET DRAWINGS PER ASME Y14.100 and ASME Y14.24		SCALE 2:1	
				SHEET 1 OF 1	