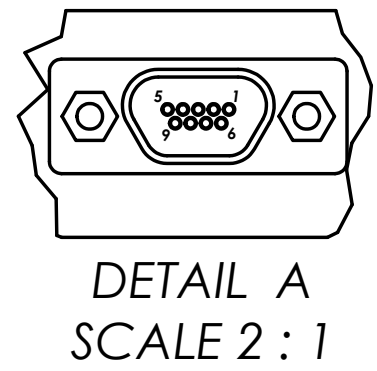
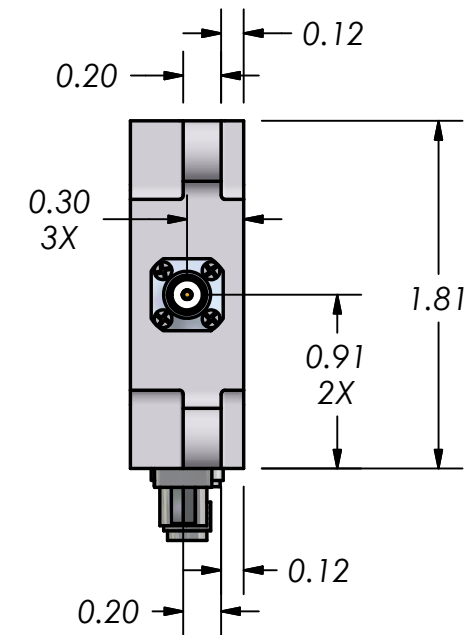
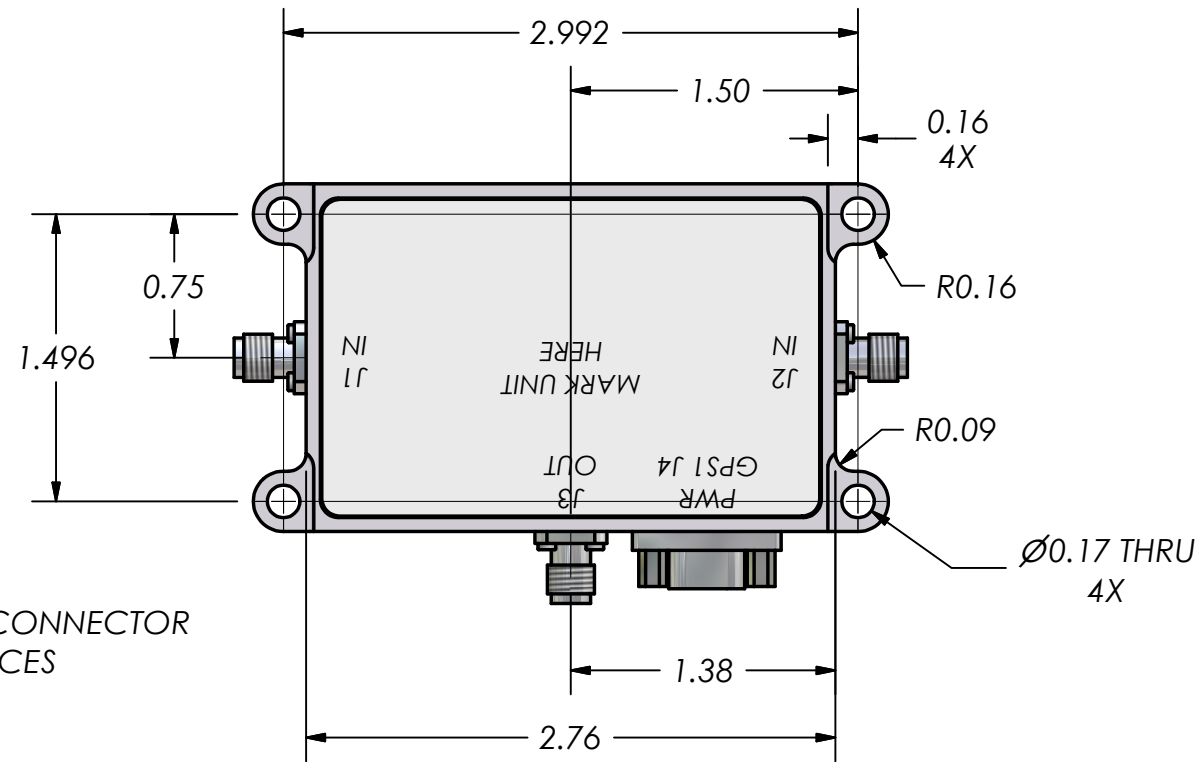
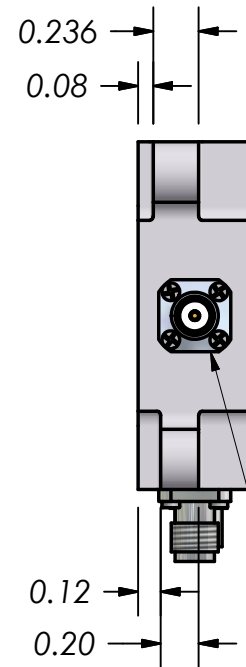
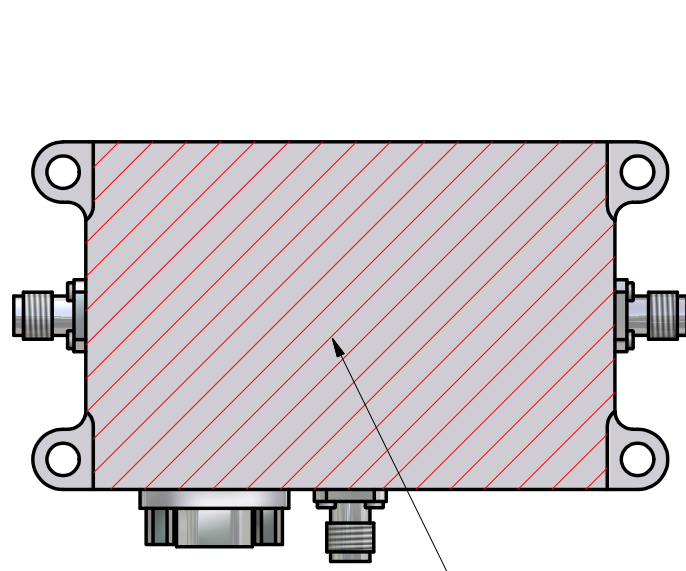
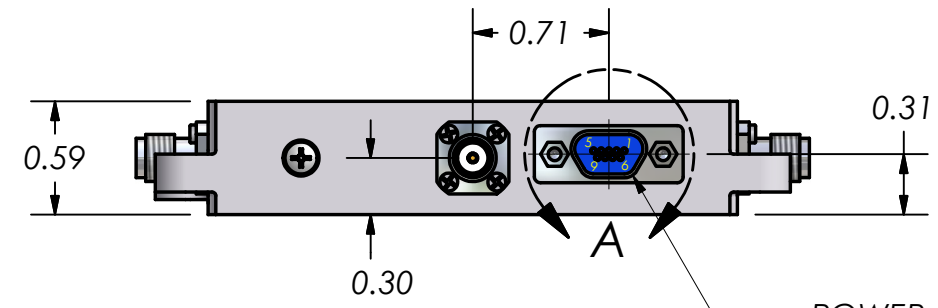


THIS DOCUMENT CONTAINS INFORMATION PROPRIETARY TO DELTA MICROWAVE. ANY REPRODUCTION WITHOUT WRITTEN PERMISSION IS EXPRESSLY PROHIBITED.

ZONE	REV	DESCRIPTION	DATE	APPROVED
	A	FIRST RELEASE	03/04/03	R.E.S.
	B	ECO#107669	10/01/08	




PIN CHART
 1,2,6 PWR
 4,5,9 RTN
 3,7,8 N/C



2. MARKING: USING WHITE WORNOW INK TO INCLUDE:
 DELTA MICROWAVE, MODEL NO., SERIAL NO.,
 CODE IDENT. NO. 51719 AND DATE CODE

1: FINISH: TWO PART AEROGLAZE
 9924 WASH PRIMER
 CHEM GLAZE Z306
 FLAT BLACK POLYURETHANE

NOTES:

UNLESS OTHERWISE SPECIFIED DIMENSIONS ARE IN INCHES TOLERANCES ARE: FRACTIONS DECIMALS ANGLES + .xx ± .03 + - .xxx ± .010 -		CONTRACT NO. L5217		 Delta Microwave Inc. 1301 VANGUARD DRIVE OXNARD, CA 93033		
APPROVALS		DATE				
DRAWN J.A. DE HORTA		10/01/08		TITLE <h3>L5217 OUTLINE</h3>		
MATERIAL		REVISED				
FINISH		CHECKED				
USED ON MODEL#		APPROVED		SIZE	CODE IDENT NO.	DWG NO.
DO NOT SCALE DRAWING				B	51719	L5217
				SCALE 1:1	SHEET 1 OF 1	