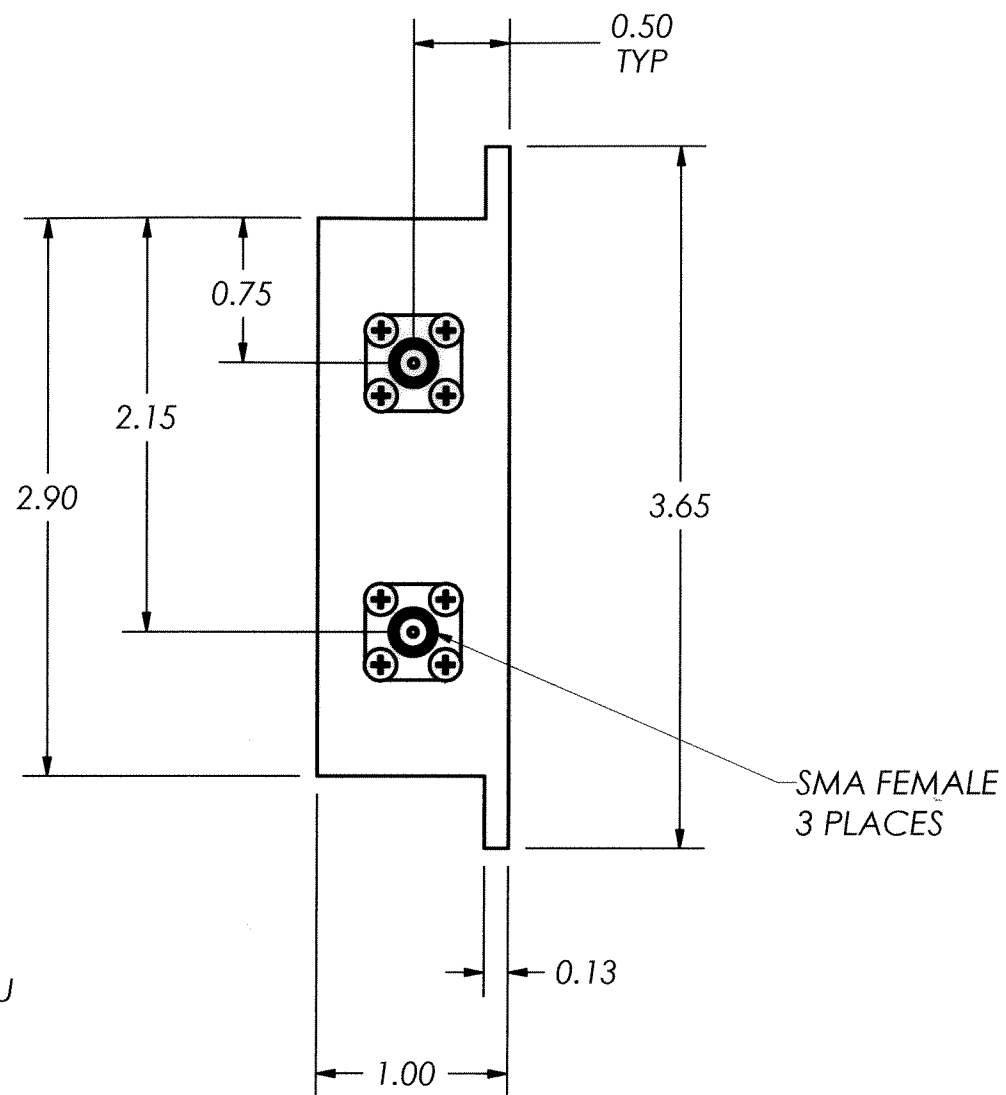
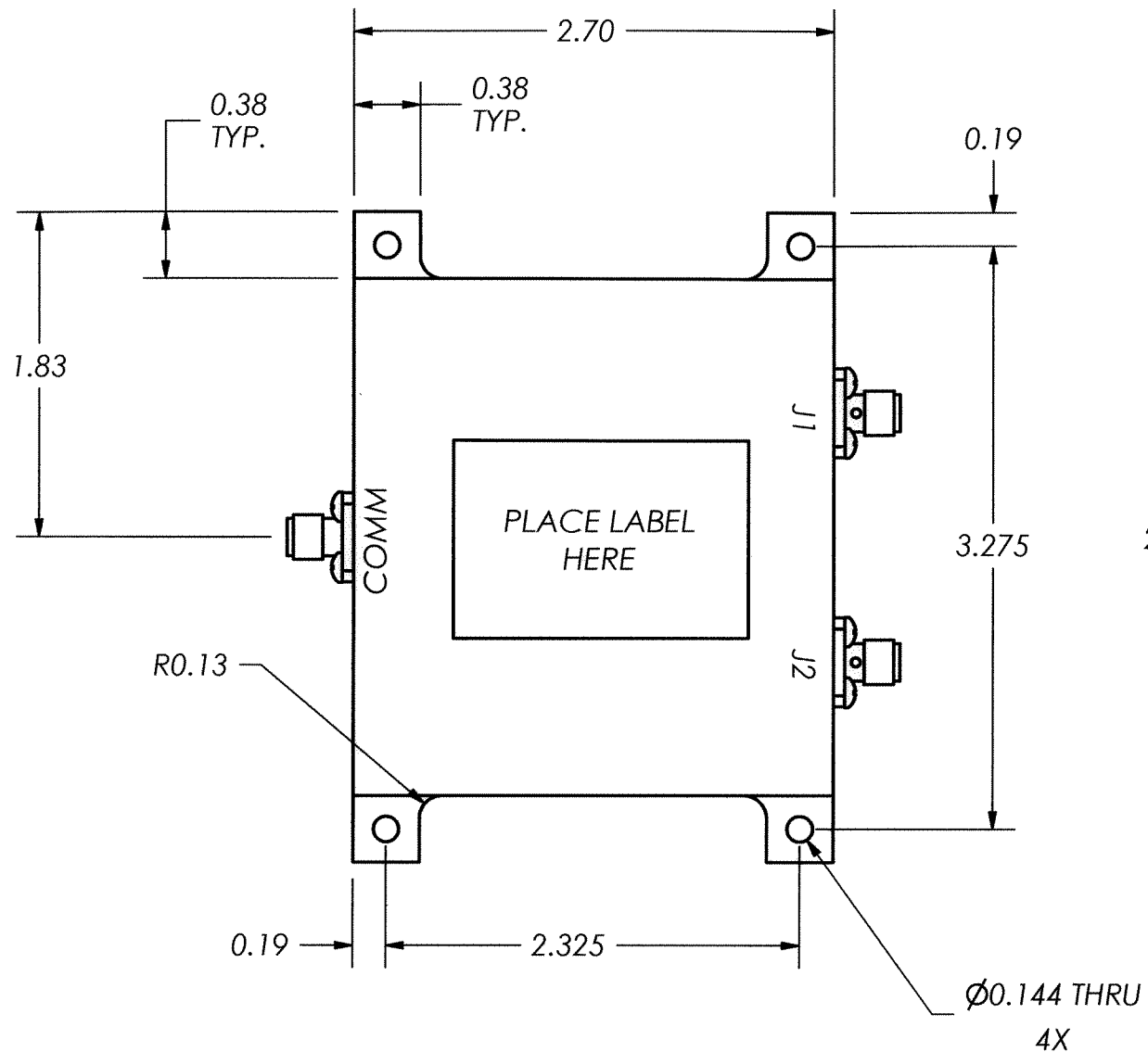


THIS DOCUMENT CONTAINS INFORMATION PROPRIETARY TO DELTA MICROWAVE. ANY REPRODUCTION WITHOUT WRITTEN PERMISSION IS EXPRESSLY PROHIBITED.

ZONE	REV	DESCRIPTION	DATE	APPROVED
	A	RELEASED	07/21/03	R.E.S.



2. MARKING: USING CLEAR LABEL WITH BLACK CHARACTERS TO INCLUDE DELTA MICROWAVE, MODEL NO., SERIAL NO. CODE IDENT. NO. 51719 AND DATE CODE

1. FINISH: 2 PART AERO GLAZE
9924 WASH PRIMER
CHEMGLAZE Z306
FLAT BLACK POLYURETHANE

NOTES:

UNLESS OTHERWISE SPECIFIED DIMENSIONS ARE IN INCHES
TOLERANCES ARE:
FRACTIONS DECIMALS ANGLES
+ .xx ± .03 +
- .xxx ± .010 -

CONTRACT NO. L5370

DELTA MICROWAVE
1301 VANGUARD DRIVE OXNARD, CA 93033

APPROVALS DATE
DRAWN D.F. ESTABROOK 07/21/03

CHECKED [Signature] 7/21/03
APPROVED [Signature] 7/21/03

TITLE
L5370 OUTLINE

MATERIAL
FINISH

SIZE B CODE IDENT NO. 51719 DWG NO. L5370

L5370	USED ON MODEL#
	DO NOT SCALE DRAWING

SCALE FULL SHEET 1 OF 1