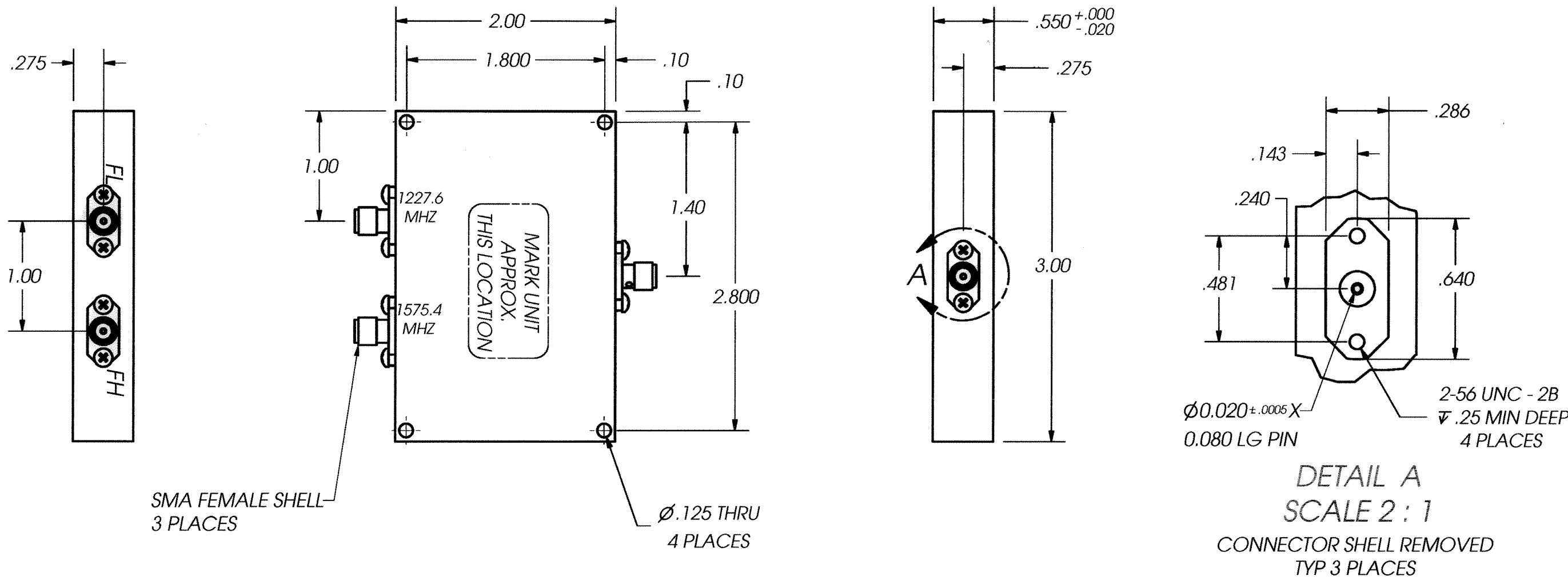


THIS DOCUMENT CONTAINS INFORMATION PROPRIETARY TO DELTA MICROWAVE. ANY REPRODUCTION WITHOUT WRITTEN PERMISSION IS EXPRESSLY PROHIBITED.

ZONE	REV	DESCRIPTION	DATE	APPROVED
	A	RELEASED	10/07/75	R.E.S.
	B	REVISED MARKING	11/20/75	R.E.S.
	C	REVISED MARKING	11/25/75	R.E.S.
	D	REVISED PAINT (NOTE 1) ADDED DETAIL "A"	12/18/85	R.E.S.
	E	ECO#101898	03/11/86	R.E.S.
	F	ECO#105464	02/13/01	R.E.S.
	G	ECO#106272	10/02/03	



DETAIL A
SCALE 2 : 1
CONNECTOR SHELL REMOVED
TYP 3 PLACES

2. MARKING: USING CLEAR LABEL WITH BLACK CHARACTERS TO INCLUDE DELTA MICROWAVE, MODEL NO., SERIAL NO. CODE IDENT. NO.51719 AND DATE CODE

1. FINISH: HAZE GRAY EPOXY POLYAMIDE TOPCOAT PER MIL-P-24441B TYP.1 (AS) COLOR NO. 26270, FORMULA 151 PER MIL-P24441-1C, QPL 24441-103 USING EPOXY POLYAMIDE PRIMER PER MIL-P-24441B TYP 1 24272 GREEN FORMULA 150 PER MIL-P-24441/1C, QPL 24441-103

NOTES:

UNLESS OTHERWISE SPECIFIED DIMENSIONS ARE IN INCHES TOLERANCES ARE: FRACTIONS DECIMALS ANGLES + .xx ± .01 + - .xxx ± .005 -	CONTRACT NO. L5409		DELTA MICROWAVE 1301 VANGUARD DRIVE OXNARD, CA 93033
	APPROVALS	DATE	
MATERIAL	DRAWN J.A.DEHORTA	10/02/03	TITLE
FINISH	CHECKED	11/16/02	DIPLEXER
USED ON MODEL#	APPROVED	11/18/03	
DO NOT SCALE DRAWING	SIZE B	CODE IDENT NO. 51719	DWG NO L5409
	SCALE 1:1	SHEET 1 OF 1	