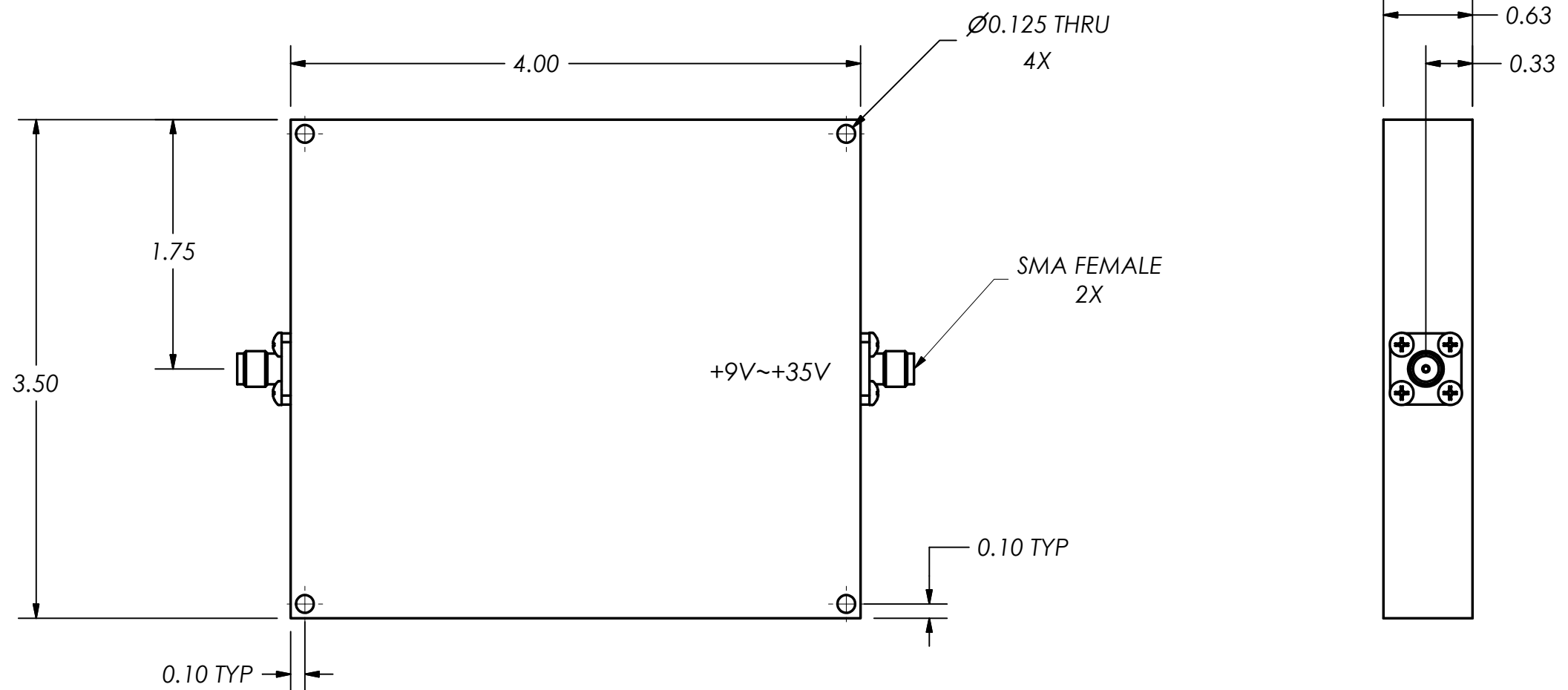


THIS DOCUMENT CONTAINS INFORMATION PROPRIETARY TO DELTA MICROWAVE. ANY REPRODUCTION WITHOUT WRITTEN PERMISSION IS EXPRESSLY PROHIBITED.

ZONE	REV	DESCRIPTION	DATE	APPROVED
	A	RELEASED	09/21/00	R.E.S.
	B	ECO # 109307	05/31/12	




2. MARKING: USING LABEL OR BLACK EPOXY INK TO INCLUDE:  
 DELTA MICROWAVE, MODEL NO., SERIAL NO.,  
 CODE IDENT. NO. 51719 AND DATE CODE

1: FINISH: HAZE GRAY EPOXY POLYAMIDE TOPCOAT  
 PER MIL-DTL-24441B, TYP. 1  
 (AS) COLOR NO. 26270, FORMULA 151  
 PER MIL-DTL-24441/1C, QPL 24441-103  
 USING EPOXY POLYAMIDE PRIMER  
 PER MIL-DTL-24441B, TYP 1, 24272 GREEN  
 FORMULA 150 PER MIL-P-24441/1C, QPL 24441-103

NOTES:

UNLESS OTHERWISE SPECIFIED DIMENSIONS ARE IN INCHES TOLERANCES ARE: FRACTIONS    DECIMALS    ANGLES +                .xx ± .03            + -                .xxx ± .010        -	CONTRACT NO.	L54112
	APPROVALS	DATE
	DRAWN D.R.BOWLER	09/21/00
	REVISED R.SARRUCA	05/31/12
MATERIAL	CHECKED	
FINISH	APPROVED	
USED ON MODEL#	DO NOT SCALE DRAWING	

 <b>Delta Microwave Inc.</b> 300 Del Norte Boulevard Oxnard, CA 93030		TITLE	
		<b>OUTLINE</b>	
SIZE	CODE IDENT NO.	DWG NO	
<b>B</b>	<b>51719</b>	<b>L54112</b>	
SCALE	SHEET	1	OF 1
FULL			